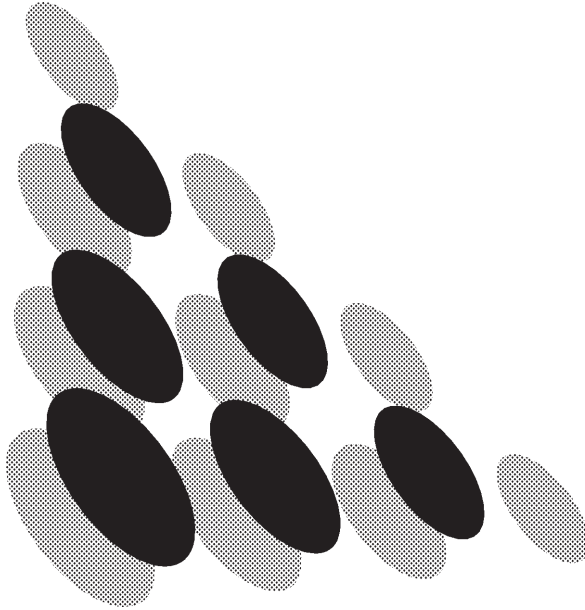


PRIMERGY

電源ユニット(PG-PU106)
Redundant Power Supply unit(PGUPU106)

取扱説明書 _____ J

USER'S GUIDE _____ E



はじめに

このたびは、弊社の電源ユニット(PG-PU106 以下、本製品)をお買い上げいただき、まことにありがとうございます。

本書は、電源ユニットの取り扱いの基本的なことからについて説明しています。

ご使用になる前に本書およびサーバ本体に添付の取扱説明書をよくお読みになり、正しい取り扱いをされますようお願いいたします。

2002年7月

梱包物を確認してください

お使いになる前に、次のものが梱包されていることをお確かめください。

万一足りないものがございましたら、おそれいりますが、担当営業員または担当保守員までお申し付けください。

電源ユニット

保証書

取扱説明書 (本書)

安全上のご注意

本製品を安全にお使いいただくために、以降の記述内容を必ずお守りください。本書ではいろいろな絵表示をしています。これは装置を安全に正しくお使いいただき、あなたや他の人々に加えられるおそれのある危害や損害を未然に防止するための目印となるものです。その表示と意味は次のようになっています。内容をよくご理解の上、お読みください。

⚠警告 : この表示を無視して、誤った取り扱いをすると、人が死亡する可能性または重傷を負う可能性があることを示しています。

⚠注意 : この表示を無視して、誤った取り扱いをすると、人が損害を負う可能性があること、および物的損害のみが発生する可能性があることを示しています。

1 概要

PRIMERGY F200/F250用の増設電源ユニットです。

本電源ユニットを増設搭載することによりシステム電源の冗長電源機能をサポートします。

2 電源ユニットの搭載

⚠警告

- ・電源ユニット内部には高電圧部がありますので、分解したりしないでください。感電・火災の原因となります。
- ・電源ユニットを取り付けたり、取り外したりする場合には、サーバ本体および周辺装置の電源を切り、電源ケーブルをコンセントから取り外してください。感電の原因となります。ただし、冗長電源ユニットが搭載されているサーバ本体装置においては、活性保守を行うことができます。

⚠注意

- ・電源ユニットは、落としたり、強い衝撃を与えたりしないでください。

サーバ本体に添付されている取扱説明書を参照して、搭載してください。

3 仕様

| 項目 | 内容 |
|------|---------------------------------|
| 入力電圧 | AC100-240V (50/60Hz) |
| 電源容量 | 400W |
| 寸法 | 80 mm × 400 mm × 95 mm (突起部は除く) |
| 重量 | 2.0 kg |

本電源ユニットには、動作状態を示す表示ランプ (LED) があり、以下のように動作状態を表示します。

AC電源が供給されているとき：オレンジ色LED点灯

本体電源投入後、正常に電源ユニットが動作しているとき：緑LED点灯

Preface

Thank you for choosing the Redundant power supply unit (PGUPU106). To use this product properly, read this user's guide thoroughly before using this product.

This guide describes precautions that should be taken when installing this product in the PRIMERGY F200/F250.

Please read this guide PRIMERGY F200/F250 operating manual all together.

CAUTION

PRIMERGY F200/F250 is called to SYSTEM in this guide.

Incidentally, when loading this redundant power supply unit into the PRIMERGY F200/F250, please contact our maintenance engineer.

July, 2002

Confirm the following contents of the package

On unpacking the package, check to see if all the following things are contained in it. If there is something lacking, require the salesman to supply it.

- Redundant power supply unit
- Guarantee sheet
- User's guide (this book)

Meanings of Warning Indications

This guide includes a number of symbols which indicates safe and proper usage of the product for preventing harm to yourself or others. The symbols are described in the following below. Please make sure that you understand each symbol before continuing to read the remainder of this guide.

WARNING

: Indicates that there is a possibility of occurrence of accidental death or serious injury if the unit is incorrectly used without attention to this caution.

CAUTION

: Indicates that there is a possibility of occurrence of injury or physical damage if the unit is incorrectly used without attention to this caution.

The company names and product names in this guide are trademarks and trade names of their respective owners.

All Rights Reserved, Copyright© FUJITSU LIMITED 2002

Safety

DO:

- Read the information contained in this section ‘Safety precautions’, before attempting to install or operate the equipment.
- Ensure that all electrical connections are properly made in accordance with instructions in the documentation, and periodically check that the connections have not worn or become damaged. If they have, consult your supplier or maintenance authority
- Switch off the equipment before installing any internal items, and if an earth strap is not available discharge any build up of static you may have on you before opening the system unit.
- Keep fingers, paper clips and other small items away from connectors or apertures in the equipment.
- Disconnect the equipment from the power supply if you are not going to use it for some time.
- Ensure that the power is disconnected before any covers are removed and that all the covers are refitted before the power is re-connected.
- Comply with any National Safety at work regulations relating to Information Technology Electrical Equipment.

DO NOT:

- Continue to operate the equipment if you have any doubt about it working properly, or think that it is damaged. Disconnect it from the power supply and consult your supplier or maintenance authority.
- Connect the system directly to IT power systems which have an impedance earthed neutral.
- Removed any fixed covers unless you are qualified to do so.
- Obstruct the ventilation slots in the equipment. This could cause overheating and shorten the life of the equipment.
- Trail cables across aisles or under carpets.
- Expose the equipment to spilled liquids

Earth integrity



This equipment must be connected to an earthed AC mains utility outlet.

Static Electricity Precautions

This equipment contains components that may be damaged by static discharge if handled carelessly. When you install any internal options, take care not to damage either the equipment or the options through careless handling.

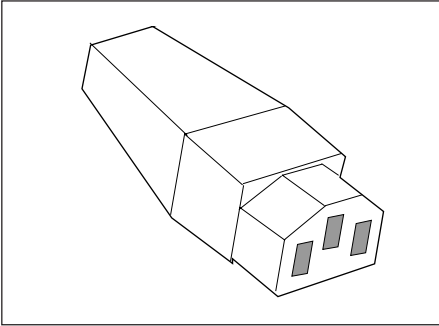
Power source

The cabinet (or Universal Power Supply, if used) must only be connected to the following AC power supply systems:

Connect only to a TN or TT power supply system 100-120V, 50/60Hz phase to neutral (1ph) with earthed neutral and safety conductor, 10A minimum current rating.

Connect only to a TN or TT power supply system 200-240V, 50/60Hz phase to neutral (1ph) with earthed neutral and safety conductor, 5A minimum current rating; or to an IT ac power supply system 200-240V 50Hz phase to phase, 127V maximum each phase to safety earth (as supplied in Norway), rated 5A maximum.

Power cord selection



The power cord for this unit has been packed separately and has been selected according to the country of destination. It must be used to prevent electric shock. Use the following guidelines if it is necessary to replace the original cord set.

The female receptacle of the cord set must meet CEE-22 requirements (see Figure).

For the United States and Canada

Use a UL listed and CSA labeled cord set consisting of a three conductor cord with a maximum length of 15 feet.

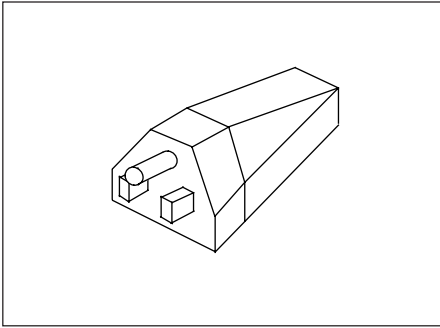
For units which stand on a desk or table, type SVT or SJT cord sets shall be used.

For units which stand on floor, only SJT type cord sets shall be used.

The cord set must be selected according to the current rating for your unit.

Please consult the table below for the selection criteria for power cords used in the United States and Canada.

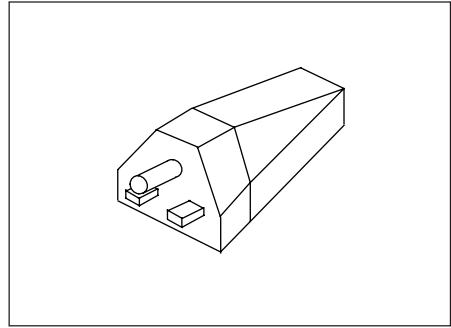
| Cord Type | Size of Conductors in Cord | Maximum Current Rating of Unit |
|-----------|----------------------------|--------------------------------|
| SJT | 18 AWG | 10 Amps |
| | 16 AWG | 12 Amps |
| | 14 AWG | 12 Amps |
| SVT | 18 AWG | 10 Amps |
| | 17 AWG | 12 Amps |



Parallel

For units set at 115 V:

use a parallel blade, grounding type attachment plug rated 15 A, 125 V.



Tandem

For units set at 230 V:

use a tandem blade, grounding type attachment plug rated 15 A, 250 V.

For units set at 230 V (outside of the United States and Canada):

use a cord set consisting of a minimum AWG according to the table above and a grounding type attachment plug rated 15 A, 250 V. The cord set should have the appropriate safety approvals for the country in which the equipment will be installed and should be marked HAR.

E

For the United Kingdom

Should the plug on the flexible cord not be of the type for your socket outlets, do not use an adapter but remove the plug from the cord and discard. Carefully prepare the end of the supply cord and fit a suitable plug.

⚠ CAUTION This appliance must be earthed.

IMPORTANT

The wires in this mains lead are colored in accordance with the following code:

Green and Yellow: Earth

Blue : Neutral

Brown : Live

As the colors of the wires in the mains lead of this appliance may not correspond with the colored markings identifying the terminals in your plug, proceed as follows:

- The wire which is colored Green and Yellow must be connected to the terminal in the plug which is marked with the letter E or by the earth symbol or colored Green or Green and Yellow.
- The wire which is colored Blue must be connected to the terminal which is marked with the letter N or colored Black.
- The wire which is colored Brown must be connected to the terminal which is marked with the letter L or colored Red.

Electromagnetic compatibility (EMC)

Europe Directive 89/336/EEC

This is a Class A equipment and suitable for installation in both a commercial and domestic environment. The product is designed to provide reasonable protection against harmful interference if installed correctly as instructed in this manual.

USA – Federal Communications Commission (FCC)

This equipment has been tested and found to comply with the limits for a Class A digital device pursuant to Part 15 of the FCC Rules. These limits are designed to provide reasonable protection against harmful interference when the equipment is operated in a commercial environment. This equipment generates, uses and can radiate radio frequency energy and, if not installed and used in accordance with the instruction manual, may cause harmful interference to radio communications.

Operation of this equipment in a residential area is likely to cause harmful interference, in which case, the users will be required to correct the interference at their own expense.

Canada - Department of Communications (DOC)

This digital apparatus does not exceed the Class A limits for radio noise emissions from digital apparatus set out in the Radio Interference

Australia/Newzealand – AS/NZS 3548

This is a Class A product of Electormagnetic Interference(EMI) standard. In a domestic environment this product may cause radio interference in which case the may be required to take adequate measures.

Adding devices

Where plug-in printed circuit board assemblies, disk drives, tape drives or other assemblies are fitted in this equipment by the user, or peripheral devices connected externally to this equipment, such assemblies or devices not supplied by Fujitsu LTD. via your system supplier MUST:

- Conform to the safety requirements of IEC 950 or the applicable equivalent national requirements.
- Not affect the integrity of the SELV circuits in the equipment.
- Conform with the EMC requirements, immunity and Class B for emission, for the country of installation (i.e. EN500082 & EN55022 Class B - Europe; FCC Class B - USA/Canada).
- Conform to national requirements for approval of telecommunications networks and/or services.

All cables used to connect this equipment to external peripheral devices MUST be shielded with overall metal screen grounded to earth at both ends.

It is the responsibility of the user to ensure that these conditions are complied with and they should request the supplier or manufacturer of each assembly to provide assurance on these points.

Changes and modifications to this equipment not expressly approved by Fujitsu LTD. could void the users authority to operate the equipment.

Table of Contents

| | |
|---|----|
| CHAPTER 1 OVERVIEW | 10 |
| 1.1 INTRODUCTION | 10 |
| 1.2 SPECIFICATION | 10 |
| CHAPTER 2 PARTS EXPLANATION | 11 |
| CHAPTER 3 MOUNTING OF EXTENSION REDUNDANT POWER SUPPLY UNIT ... | 12 |
| CHAPTER 4 REPLACING REDUNDANT POWER SUPPLY UNIT | 13 |

Chapter 1

Overview

1.1 Introduction

Redundant power supply unit is the option power supply unit which will be installed in SYSTEMs.

PRIMERGY F200/F250



: Don't use expect for these Server model series.

Models : PGTF2AXXX,PGTF2BXXX

Note: 'X' : any alphanumerical character or blank

It loads Redundant power supply unit into SYSTEM and it makes a power supply redundant composition.

The reliability can be improved; even if one of the power supply units breaks down.

1.2 Specification

| Item | Specification | Remarks |
|---------------------|------------------------|-----------|
| Model No. | PGUPU106 | |
| Power consumption | 400W (Maximum) | |
| Input | AC 100-240V (50-60Hz) | |
| Weight | 2.0kg | |
| External dimensions | 80 mm × 400 mm × 95 mm | W × D × H |

Chapter 2

Parts explanation

- Fault lamp (Orange)

This lamp lights when AC power is supplied.

- Power lamp (Green)

This lamp lights when the redundant power supply unit is in normal operation.

Chapter 3

Mounting of extension redundant power supply unit

When constructing the power supply of the SYSTEM in a redundant power supply configuration, additionally install an optional redundant power supply unit into the SYSTEM. Please refer to the PRIMERGY F200/F250 operating manual for instructions on how to install.

CAUTION

- When installing in the STSTEM, always ask our maintenance engineer in case of addition.
- Since the redundant power supply unit is a precision unit, handle it very carefully.
- The redundant power supply unit has no need of any setting.

Chapter 4

Replacing redundant power supply unit

If the SYSTEM is redundant power supply configuration, a faulty redundant power supply unit can be replaced without disconnection of the SYTEM from the AC power supply. Please refer to the PRIMERGY F200/F250 operating manual for instructions on how to replace.

⚠CAUTION

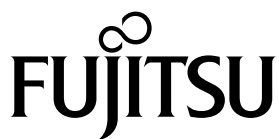
- When exchanging a redundant power supply unit, always ask our maintenance engineer in case of replacing.
- When a failure in the redundant power supply unit is confirmed, contact our maintenance engineer in charge of your storage system.

PRIMERGY
電源ユニット(PG-PU106)
取扱説明書
Redundant Power Supply unit (PGUPU106)
USER'S GUIDE
B7FY-0301-01-00

発行日 2002年7月
発行責任 富士通株式会社

Issued on July, 2002
Issued by FUJITSU LIMITED
Printed in Japan

本書の内容は、改善のため事前連絡なしに変更することがあります。
本書に記載されたデータの使用に起因する第三者の特許権およびその他の
権利の侵害については、当社はその責を負いません。
無断転載を禁じます。



このマニュアルは再生紙を使用しています。