

Customer Name	Standard specification	FUJITSU MEDIA DEVICES LIMITED	
System	IF filter for PHS handset phone	DATE	Dec. 13 2002
FMD Part Number	FAR-F4CH-243M95-T101D	Version 1.1	

Table 1 Electrical Specification

Item	Sign	Conditions	Specification			Unit	Remarks
			Min.	Typ.	Max.		
Nominal center frequency	fo		--	243.95	--	MHz	
3dB down band width	BW		--	585	--	kHz	
Minimum Insertion Loss	IL	fo+/-110kHz	--	2.1	5.0	dB	
Amplitude ripple *	A rip	fo+/-110kHz	--	0.1	1.0	dB	
Group Delay ripple		fo+/-110kHz	--	0.3	1.0	us	
Out of band rejection (IL min. referenced)		fo-21.6MHz	60	78	--	dB	
		fo-1.2MHz	40	71	--	dB	
		fo-0.6MHz	25	30	--	dB	
		fo+0.6MHz	25	33	--	dB	
		fo+1.2MHz	37	45	--	dB	
		fo+21.6MHz	55	67	--	dB	
Device Size			3.8 x 3.8 x 1.5			mm	

* Amplitude ripple is determined as the biggest number among adjacent peak-peak differences through the pass band.

Customer Name	Standard specification	FUJITSU MEDIA DEVICES LIMITED	
System	IF filter for PHS handset phone	DATE	Dec. 13 2002
FMD Part Number	FAR-F4CH-243M95-T101D	Version 1.1	

● **Dimensions**

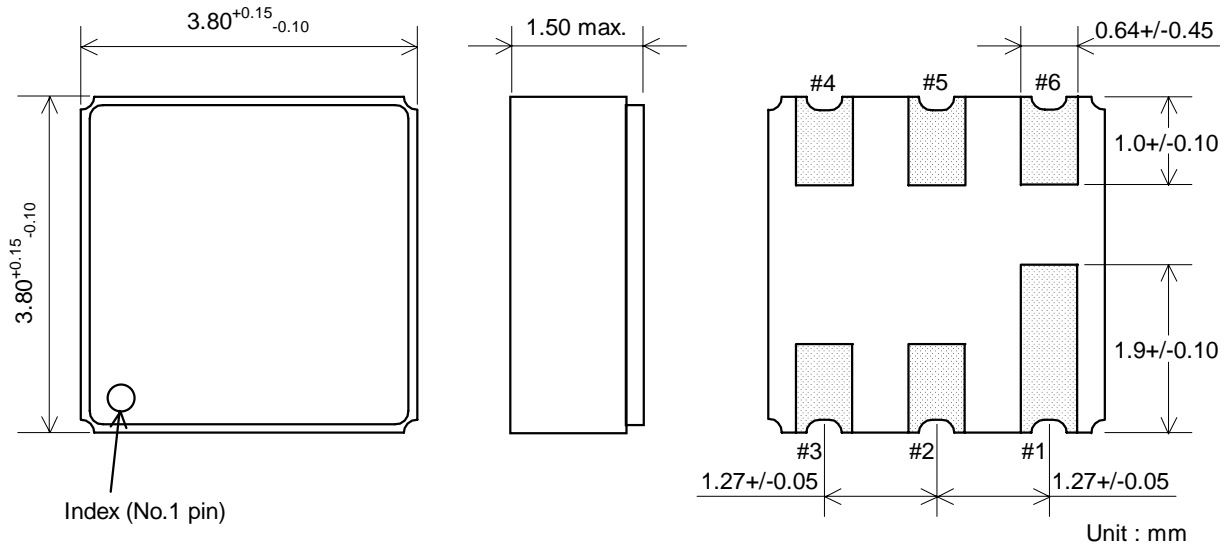


Fig.1

● **Pin Configuration**

Table 2

Pin No.	Symbol	Function
1	GND	Ground
2	IN	Input
3	GND	Ground
4	GND	Ground
5	OUT	Output
6	GND	Ground

● **Evaluation Circuit**

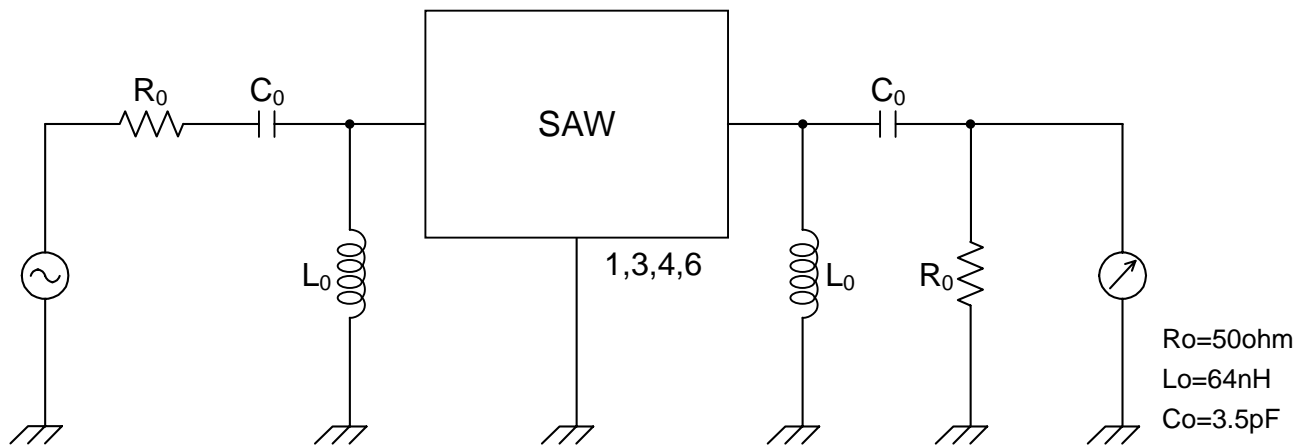
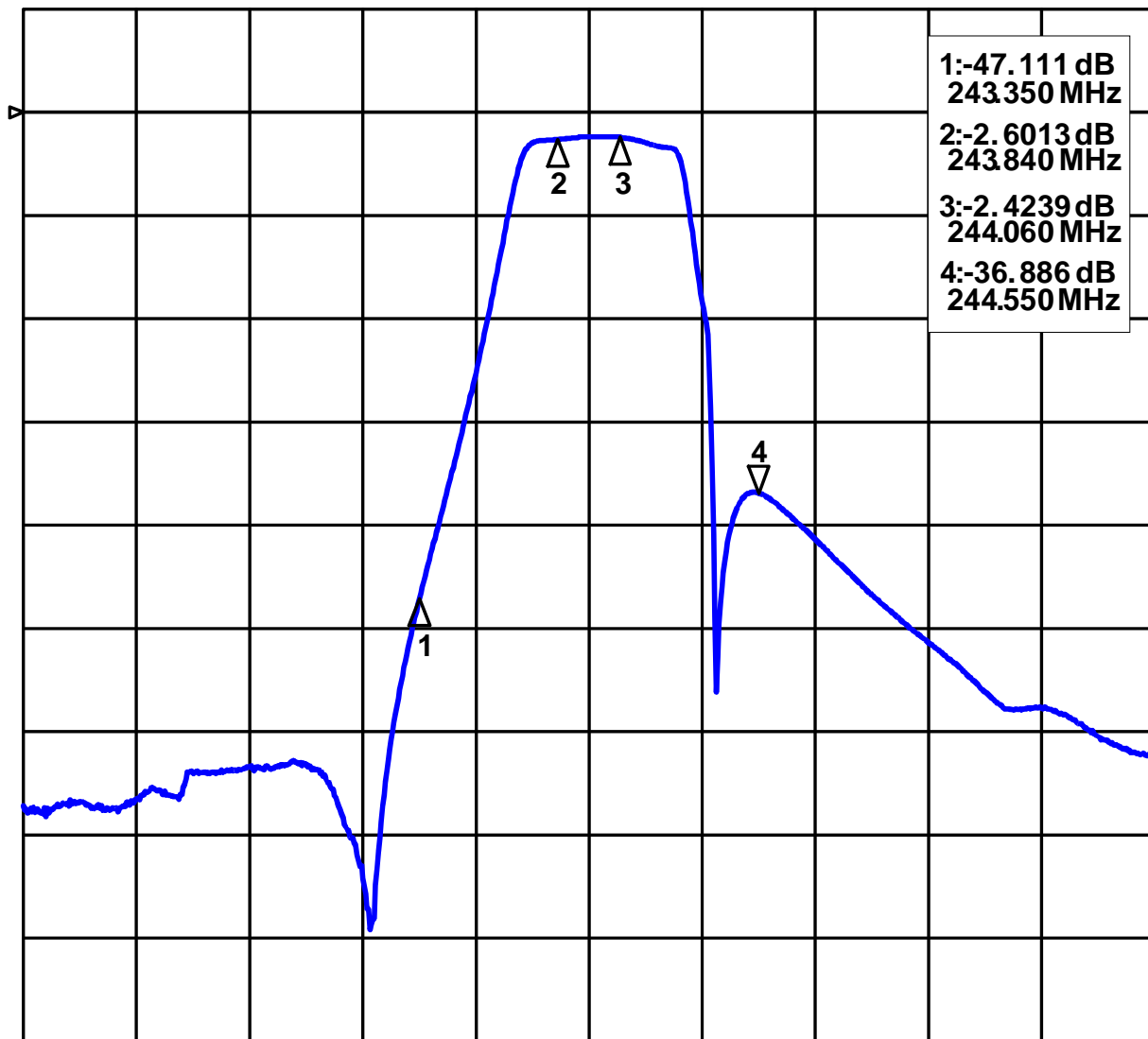


Fig.2 Evaluation circuit

Customer Name	Standard specification	FUJITSU MEDIA DEVICES LIMITED	
System	IF filter for PHS handset phone	DATE	Dec. 13 2002
FMD Part Number	FAR-F4CH-243M95-T101D	Version 1.1	

S21 LOG 10 dB/ REF 0 dB



CENTER 243.950 MHz

SPAN 4 MHz

Pass-band Characteristics