

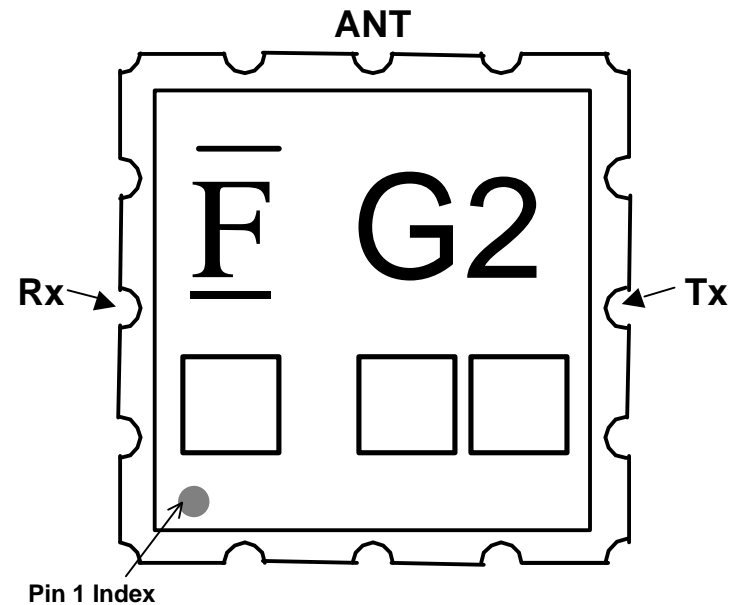
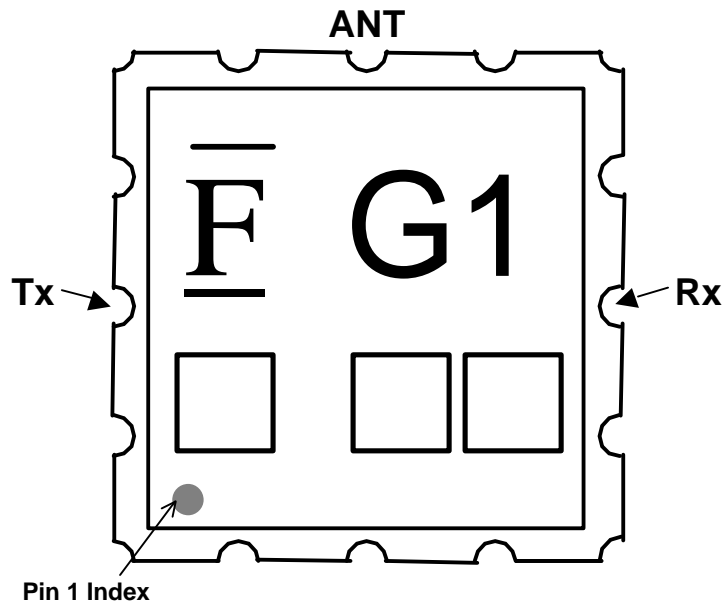
5mm sq. SAW Duplexer(D5CM)

March 12, 2003
Version(1.0)

5.0 x 5.0 x 1.5 (1.7max) mm

FAR-D5CM-881M50-D1G1

FAR-D5CM-881M50-D1G2



Top VIEW