

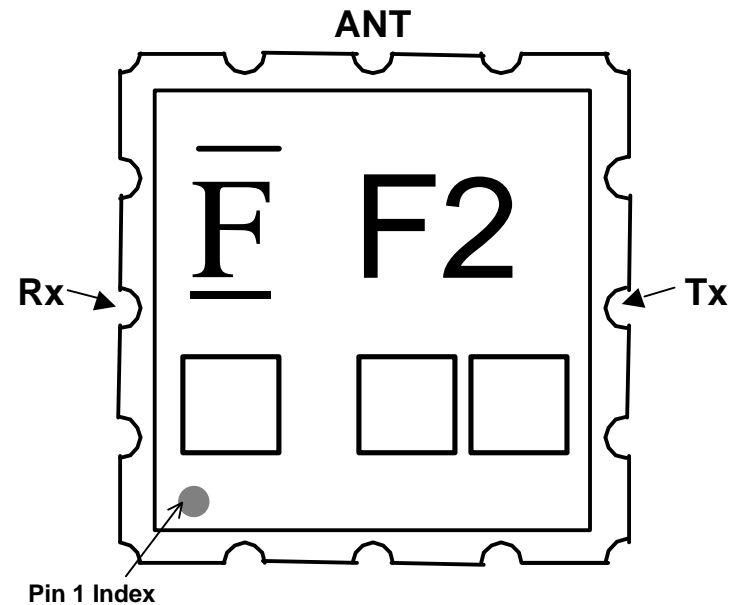
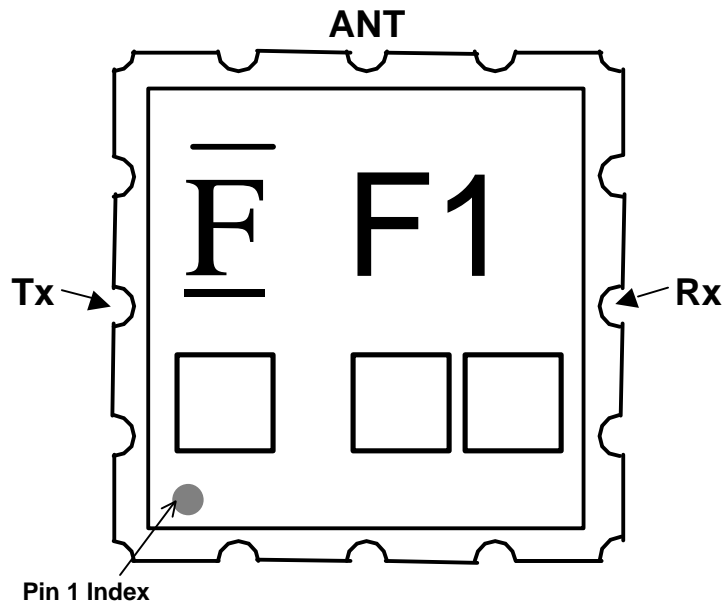
# 3.8mm sq. SAW Duplexer(D5CF)

Sep. 2, 2003  
Version(1.0)

3.8 x 3.8 x 1.5 (1.6max) mm

FAR-D5CF-881M50-D1F1

FAR-D5CF-881M50-D1F2



Top VIEW