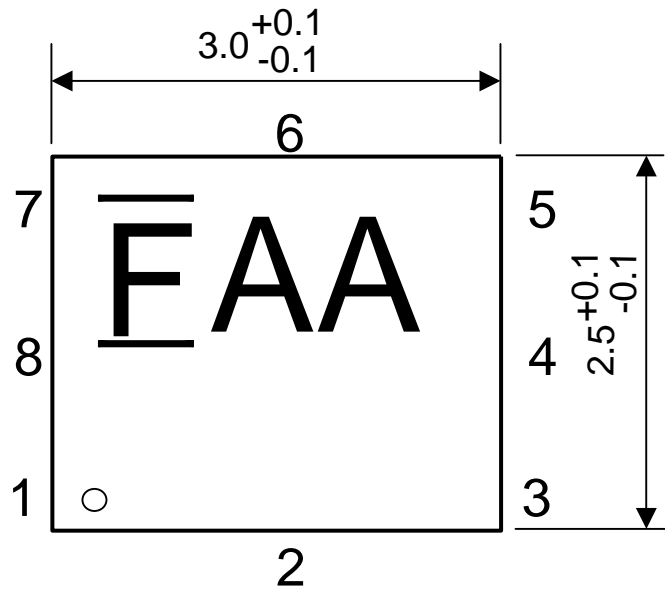


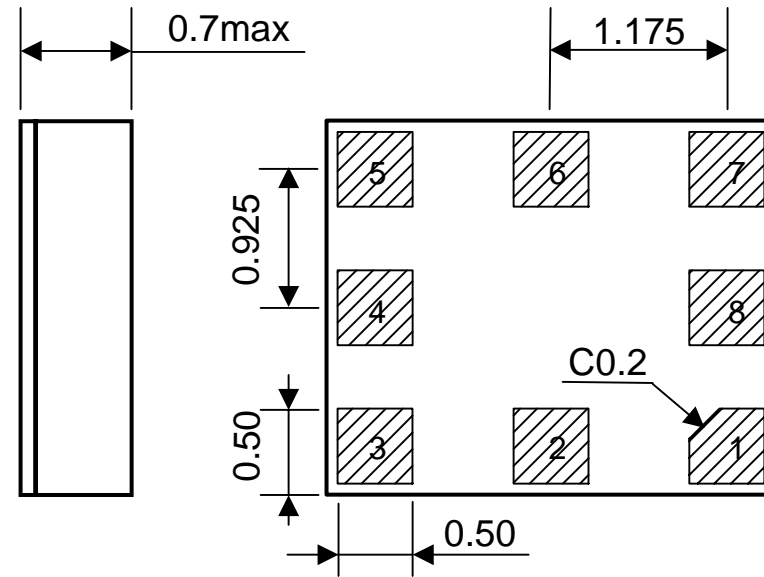
SAW Duplexer for CDMA

P/N : FAR-D5GA-881M50-D1AA

Preliminary



(TOP VIEW)



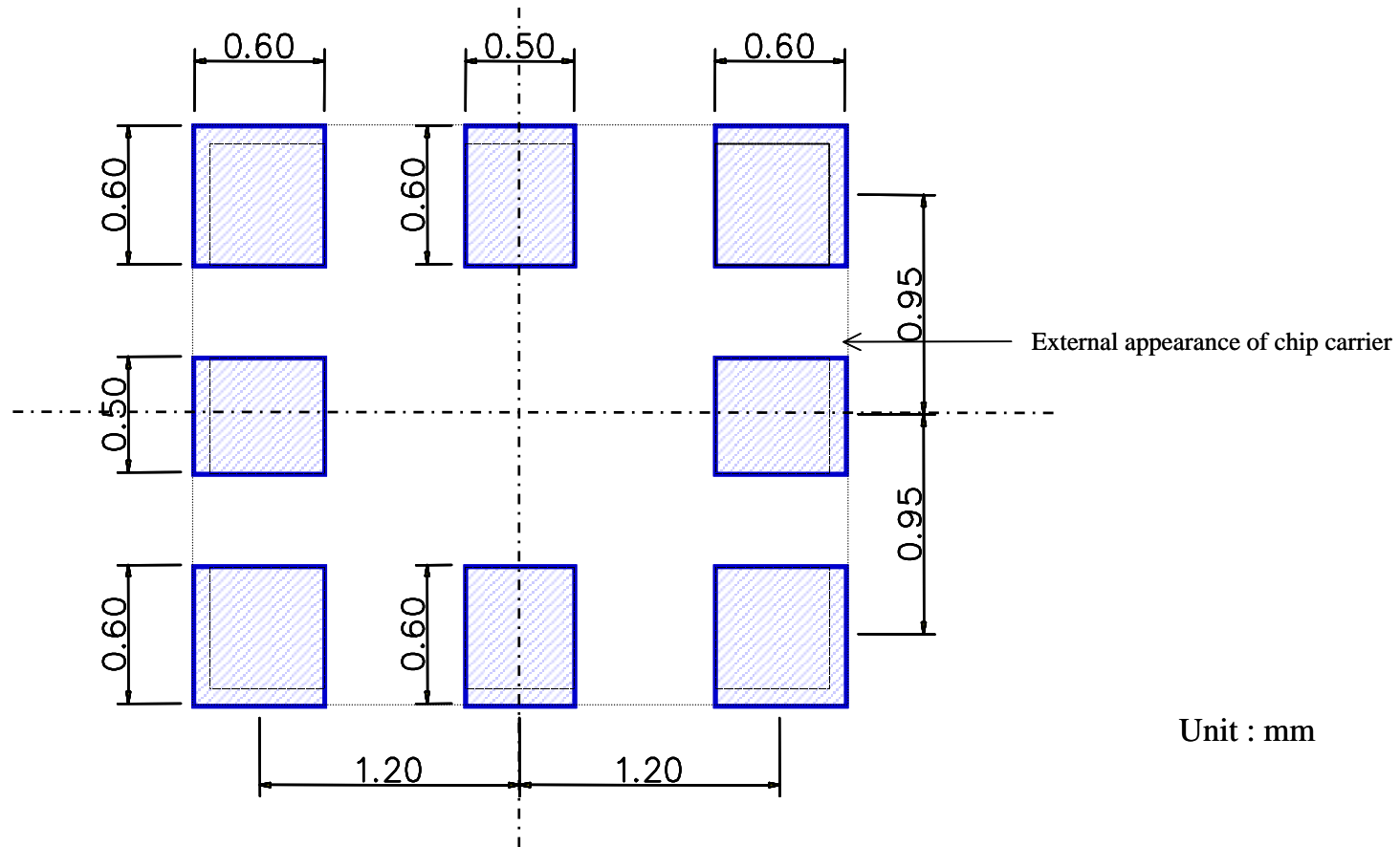
(BOTTOM VIEW)

[UNIT : mm]

Recommended Footprint Pattern for 3025 Duplexer

March, 2006

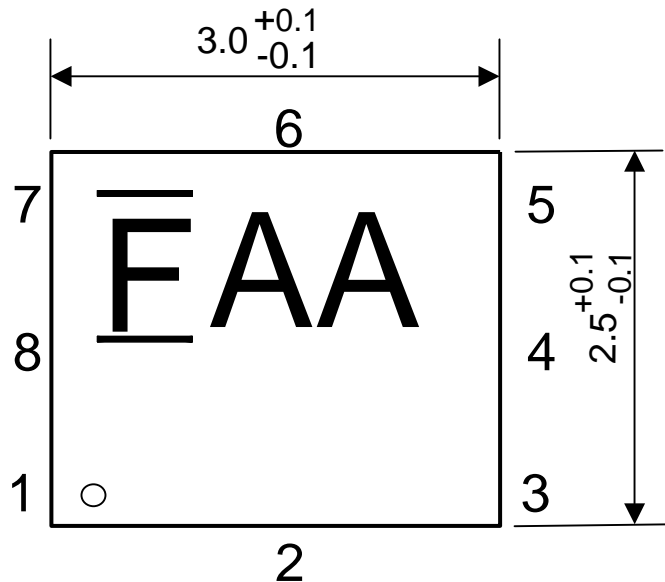
Preliminary



SAW Duplexer for CDMA

P/N : FAR-D5GA-881M50-D1AA

Preliminary



Pin No.	Pin name	Description
1	Tx	Transmitter Pin
2	GND	Ground Pin
3	Rx	Receiver Pin
4	GND	Ground Pin
5	GND	Ground Pin
6	ANT	Antenna Pin
7	GND	Ground Pin
8	GND	Ground Pin