

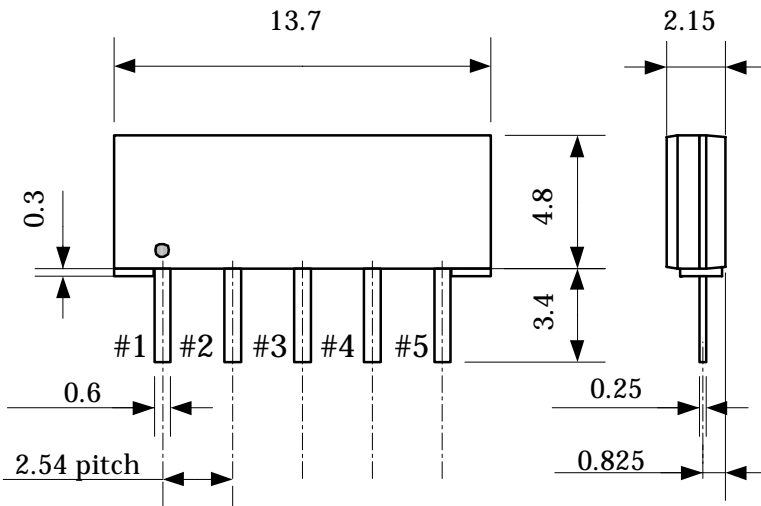
| | | | |
|---------------------------|-------------------------------|-------------------------------|--------------|
| Customer Name | Standard specification | FUJITSU MEDIA DEVICES LIMITED | |
| Application | IF Filter for Terrestrial-TV | | |
| System | America | | |
| Picture Carrier Frequency | 44.00 MHz | DATE | Feb. 23 2007 |
| FMD Part Number | FAR-F4SE-44M000-H0AH | Version | 2.0 |

Table 1 Proposal Specification (Ta=25°C(45°C))

| Items | Conditions | Specification | | | Unit | Remarks |
|--|--|---------------|----------|------|--------|-----------|
| | | Min. | Typ. | Max. | | |
| Insertion Loss | 44.06 (44.00) MHz | 14.7 | 16.2 | 17.7 | dB | |
| Pass bandwidth | 3 dB | – | 5.5 | – | MHz | |
| | 30 dB | – | 6.7 | – | MHz | |
| Relative level | 35.06 ~ 37.06 MHz (35.00 ~ 37.00 MHz) | – | –47 | –37 | dB | |
| | 37.06 ~ 39.41 MHz (37.00 ~ 39.35 MHz) | – | –43 | –33 | dB | |
| | 39.81 (39.75) MHz | – | –49 | –39 | dB | |
| | 41.06 (41.00) MHz | – | –8.4 | – | dB | |
| | 41.37 (41.31) MHz | –3.1 | –2.1 | –1.1 | dB | |
| | 44.06 (44.00) MHz | – | 0 | – | dB | Reference |
| | 46.75 (46.69) MHz | –3.4 | –2.4 | –1.4 | dB | |
| | 47.06 (47.00) MHz | – | –8.9 | – | dB | |
| | 47.31 (47.25) MHz | – | –20 | –15 | dB | |
| | 47.71 ~ 50.06 MHz (47.65 ~ 50.00 MHz) | – | –27 | –23 | dB | |
| 50.06 ~ 55.06 MHz (50.00 ~ 55.00 MHz) | – | –43 | –35 | dB | | |
| Amplitude ripple (p-p) | 41.66 ~ 46.46 MHz (41.60 ~ 46.40 MHz) | – | 0.8 | – | dB | |
| Group delay ripple (p-p) | 41.37 ~ 46.75 MHz (41.31 ~ 46.69 MHz) | – | 43 | – | ns | |
| Input Impedance | 44.06 MHz | – | 2.1//9.6 | – | kΩ//pF | |
| Output Impedance | 44.06 MHz | – | 2.9//3.1 | – | kΩ//pF | |
| Temperature coefficient | | – | –72 | – | ppm/°C | |

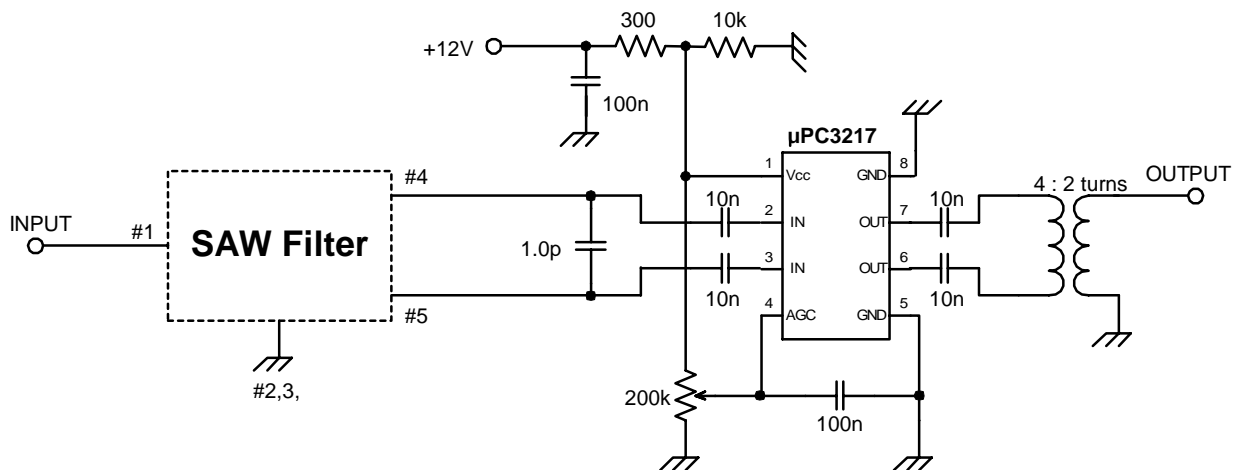
| | | | |
|---------------------------|-------------------------------|-------------------------------|--------------|
| Customer Name | Standard specification | FUJITSU MEDIA DEVICES LIMITED | |
| Application | IF Filter for Terrestrial-TV | | |
| System | America | | |
| Picture Carrier Frequency | 44.00 MHz | DATE | Feb. 23 2007 |
| FMD Part Number | FAR-F4SE-44M000-H0AH | Version | 2.0 |

1. Pin assignment of plastics Package



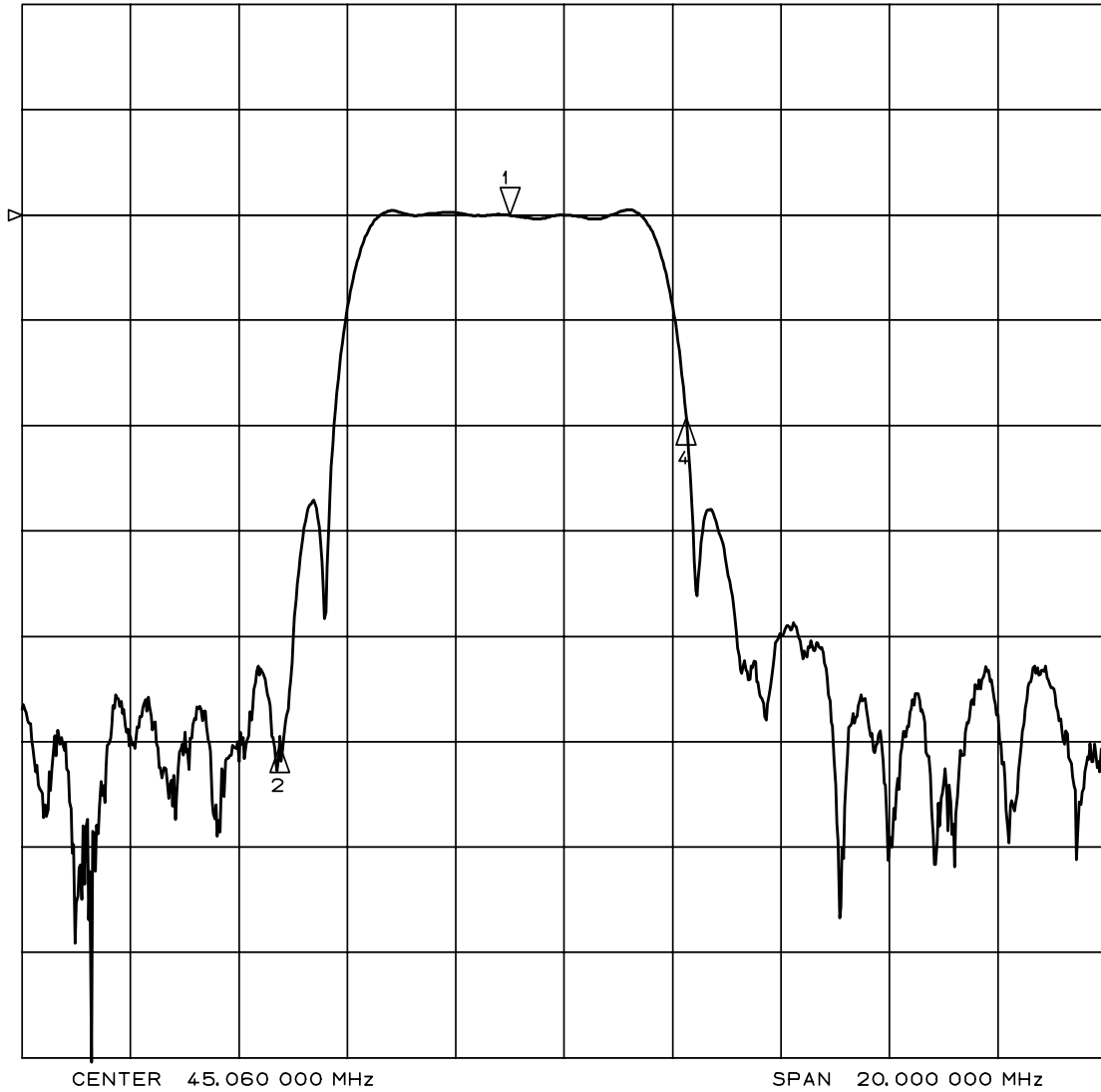
| Pin No. | Pin name | Description |
|---------|----------|----------------------|
| 1 | IN | input pin |
| 2 | IN | input pin (Ground) |
| 3 | GND | Ground pin |
| 4 | OUT | output pin |
| 5 | OUT | output pin |

2. Measurement circuit



| | | | |
|---------------------------|-------------------------------|-------------------------------|--------------|
| Customer Name | Standard specification | FUJITSU MEDIA DEVICES LIMITED | |
| Application | IF Filter for Terrestrial-TV | | |
| System | America | | |
| Picture Carrier Frequency | 44.00 MHz | DATE | Feb. 23 2007 |
| FMD Part Number | FAR-F4SE-44M000-H0AH | Version | 2.0 |

Amplitude Response (10dB/div)



Marker1 : 44.06 MHz
 Marker2 : 39.81 MHz
 Marker3 : 47.31 MHz

| | | | |
|---------------------------|-------------------------------|-------------------------------|--------------|
| Customer Name | Standard specification | FUJITSU MEDIA DEVICES LIMITED | |
| Application | IF Filter for Terrestrial-TV | | |
| System | America | | |
| Picture Carrier Frequency | 44.00 MHz | DATE | Feb. 23 2007 |
| FMD Part Number | FAR-F4SE-44M000-H0AH | Version | 2.0 |

Amplitude Response (1dB/div)

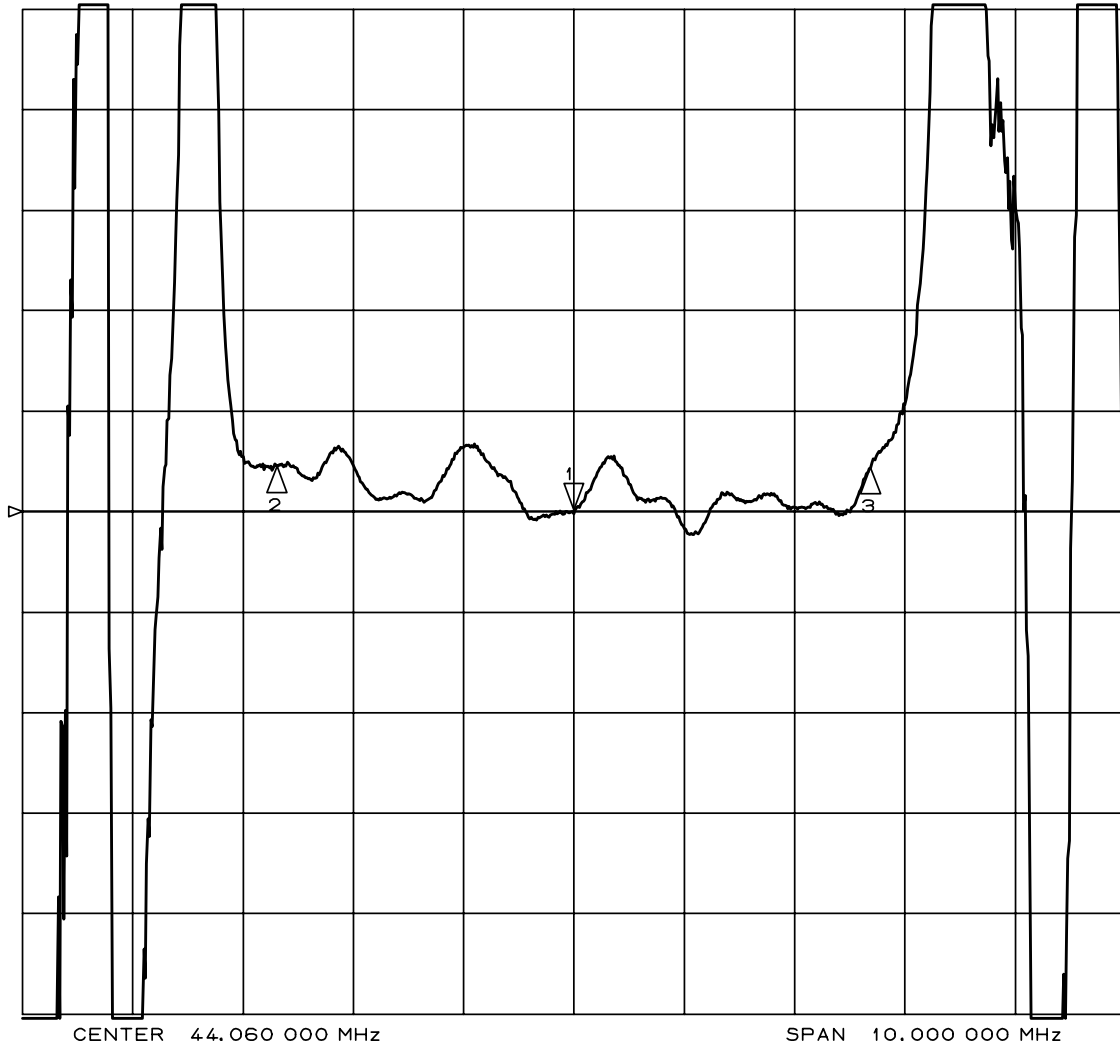


- Marker1 : 44.06 MHz
- Marker2 : 41.37 MHz
- Marker3 : 41.66 MHz
- Marker4 : 46.46 MHz
- Marker5 : 46.75 MHz

| | | | |
|---------------------------|-------------------------------|-------------------------------|--------------|
| Customer Name | Standard specification | FUJITSU MEDIA DEVICES LIMITED | |
| Application | IF Filter for Terrestrial-TV | | |
| System | America | | |
| Picture Carrier Frequency | 44.00 MHz | DATE | Feb. 23 2007 |
| FMD Part Number | FAR-F4SE-44M000-H0AH | Version | 2.0 |

Group Delay (50ns/div)

Delay Aper.=200kHz



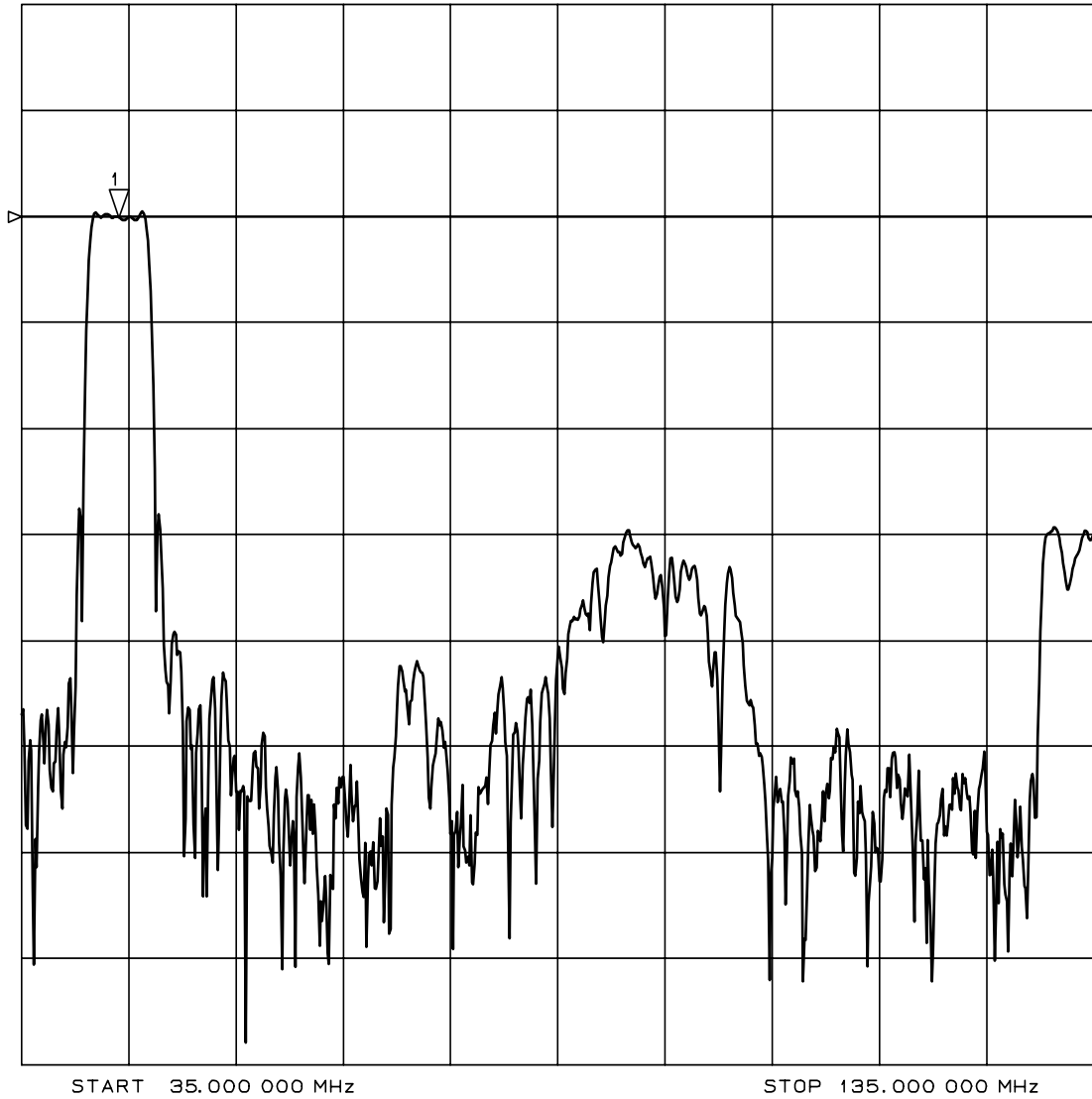
Marker1 : 44.06 MHz

Marker2 : 41.37 MHz

Marker3 : 46.75 MHz

| | | | |
|---------------------------|-------------------------------|-------------------------------|--------------|
| Customer Name | Standard specification | FUJITSU MEDIA DEVICES LIMITED | |
| Application | IF Filter for Terrestrial-TV | | |
| System | America | | |
| Picture Carrier Frequency | 44.00 MHz | DATE | Feb. 23 2007 |
| FMD Part Number | FAR-F4SE-44M000-H0AH | Version | 2.0 |

Amplitude Response (10dB/div)
(35.0MHz ----- 135.0MHz)



Marker1 : 44.06 MHz

| | | | |
|---------------------------|-------------------------------|-------------------------------|--------------|
| Customer Name | Standard specification | FUJITSU MEDIA DEVICES LIMITED | |
| Application | IF Filter for Terrestrial-TV | | |
| System | America | | |
| Picture Carrier Frequency | 44.00 MHz | DATE | Feb. 23 2007 |
| FMD Part Number | FAR-F4SE-44M000-H0AH | Version | 2.0 |

Time domain Response (10dB/div)

