

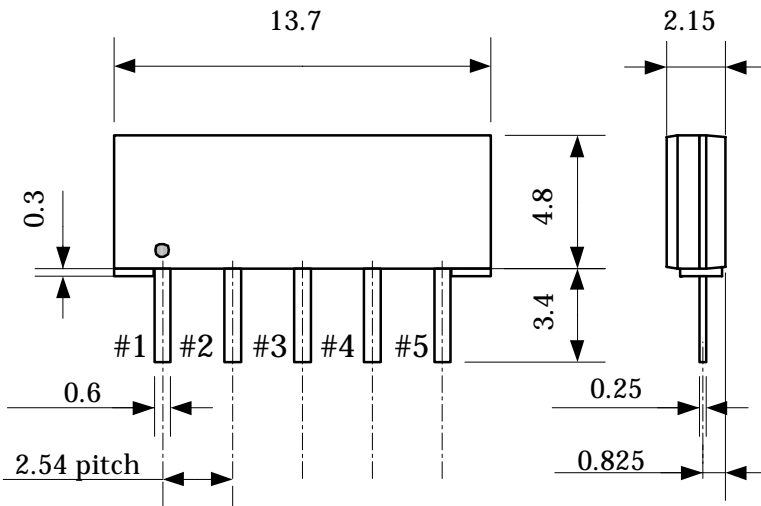
Customer Name	Standard specification	FUJITSU MEDIA DEVICES LIMITED	
Application	IF Filter for Terrestrial-TV		
System	America		
Picture Carrier Frequency	44.00 MHz	DATE	Aug. 15 2006
FMD Part Number	FAR-F4SE-44M000-H0AG	Version	2.0

Table 1 Proposal Specification (Ta=25°C(45°C))

Items	Conditions	Specification			Unit	Remarks
		Min.	Typ.	Max.		
Insertion Loss	44.06 (44.00) MHz	11.3	12.8	14.3	dB	
Pass bandwidth	3 dB	–	5.35	–	MHz	
	30 dB	–	6.53	–	MHz	
Relative level	35.06 ~ 39.81 MHz (35.00 ~ 39.75 MHz)	–	–37	–31	dB	
	39.81 (39.75) MHz	–	–44	–36	dB	
	40.81 (40.75) MHz	–	–26	–19	dB	
	41.37 (41.31) MHz	–4.1	–3.1	–2.1	dB	
	41.86 (41.80) MHz	–0.3	0.2	0.7	dB	
	44.06 (44.00) MHz	–	0	–	dB	Reference
	46.26 (46.20) MHz	–0.3	0.2	0.7	dB	
	46.75 (46.69) MHz	–4.4	–3.4	–2.4	dB	
	47.31 (47.25) MHz	–	–30	–22	dB	
Amplitude ripple (p-p)	48.31 ~ 55.06 MHz (48.25 ~ 55.00 MHz)	–	–35	–29	dB	
	41.86 ~ 46.26 MHz (41.80 ~ 46.20 MHz)	–	0.7	–	dB	
Group delay ripple (p-p)	41.37 ~ 46.75 MHz (41.31 ~ 46.69 MHz)	–	40	–	ns	
Input Impedance	44.06 MHz	–	1.2//13.4	–	kΩ//pF	
Output Impedance	44.06 MHz	–	1.7//4.4	–	kΩ//pF	
Temperature coefficient		–	-72	–	ppm/°C	

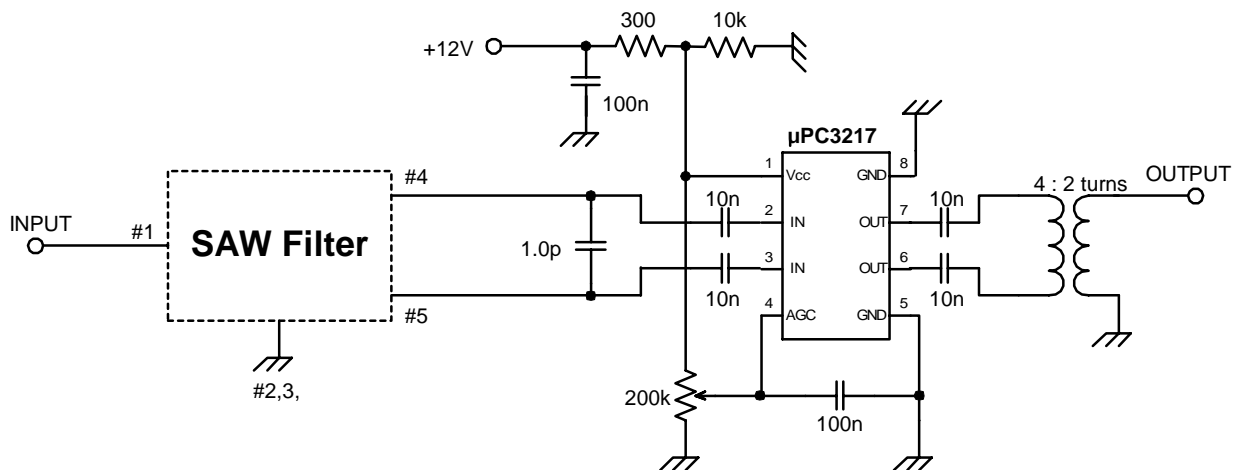
Customer Name	Standard specification	FUJITSU MEDIA DEVICES LIMITED	
Application	IF Filter for Terrestrial-TV		
System	America		
Picture Carrier Frequency	44.00 MHz	DATE	Aug. 15 2006
FMD Part Number	FAR-F4SE-44M000-H0AG	Version	2.0

1. Pin assignment of plastics Package



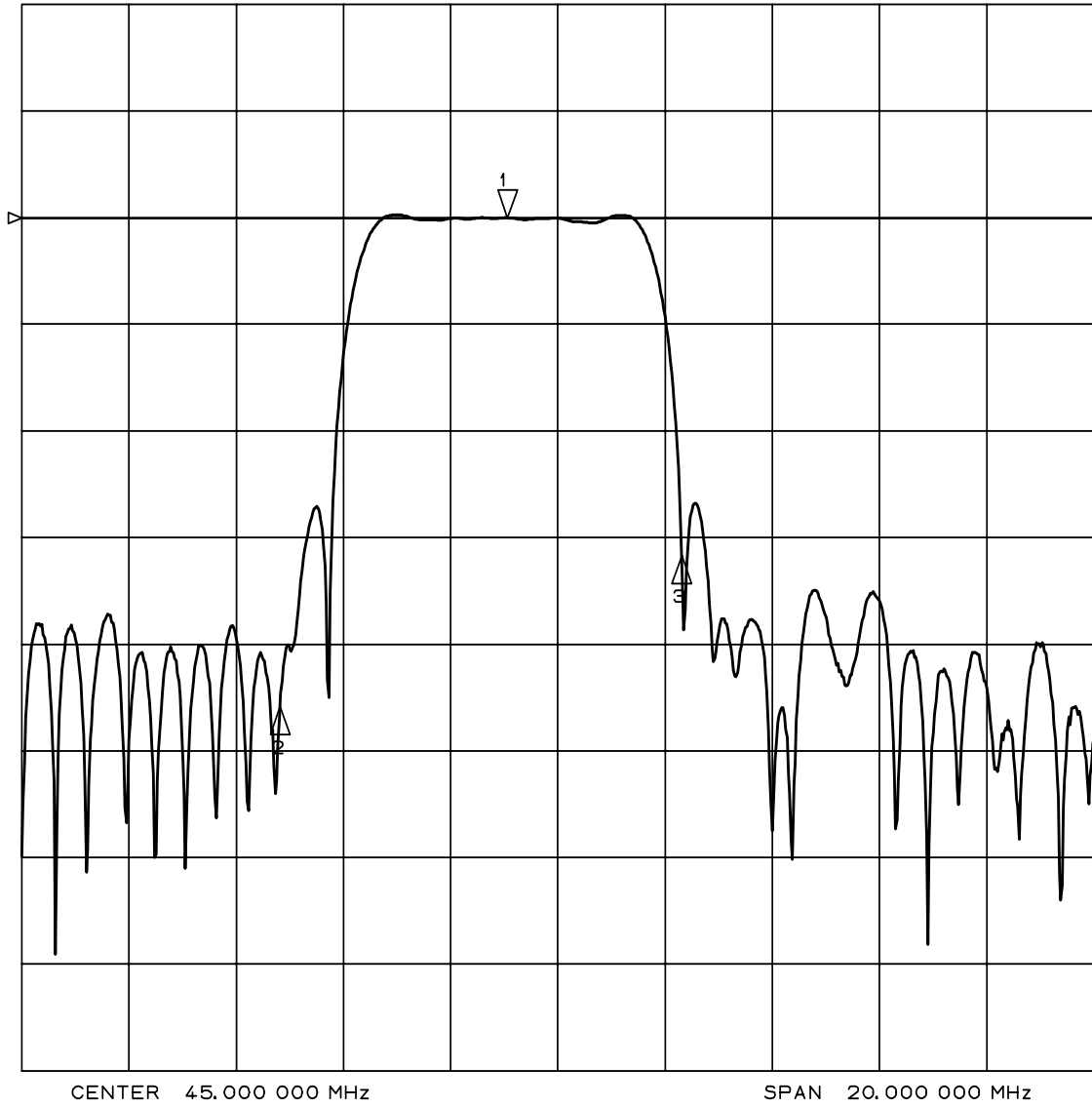
Pin No.	Pin name	Description
1	IN	input pin
2	IN	input pin (Ground)
3	GND	Ground pin
4	OUT	output pin
5	OUT	output pin

2. Measurement circuit



Customer Name	Standard specification	FUJITSU MEDIA DEVICES LIMITED	
Application	IF Filter for Terrestrial-TV		
System	America		
Picture Carrier Frequency	44.00 MHz	DATE	Aug. 15 2006
FMD Part Number	FAR-F4SE-44M000-H0AG	Version	2.0

Amplitude Response (10dB/div)



Marker1 : 44.06 MHz
 Marker2 : 39.81 MHz
 Marker3 : 47.31 MHz

Customer Name	Standard specification	FUJITSU MEDIA DEVICES LIMITED	
Application	IF Filter for Terrestrial-TV		
System	America		
Picture Carrier Frequency	44.00 MHz	DATE	Aug. 15 2006
FMD Part Number	FAR-F4SE-44M000-H0AG	Version	2.0

Amplitude Response (1dB/div)

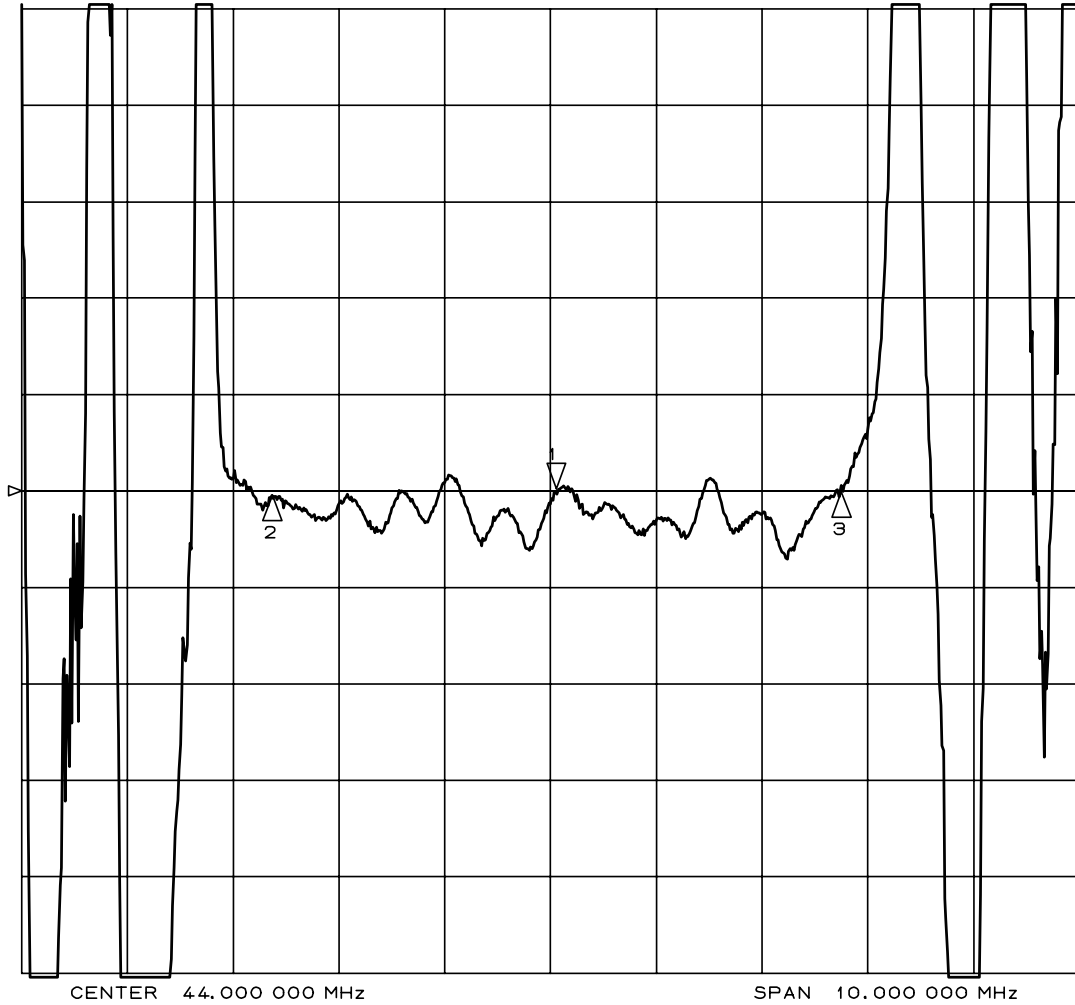


- Marker1 : 44.06 MHz
- Marker2 : 41.37 MHz
- Marker3 : 41.86 MHz
- Marker4 : 46.26 MHz
- Marker5 : 46.75 MHz

Customer Name	Standard specification	FUJITSU MEDIA DEVICES LIMITED	
Application	IF Filter for Terrestrial-TV		
System	America		
Picture Carrier Frequency	44.00 MHz	DATE	Aug. 15 2006
FMD Part Number	FAR-F4SE-44M000-H0AG	Version	2.0

Group Delay (50ns/div)

Delay Aper.=200kHz



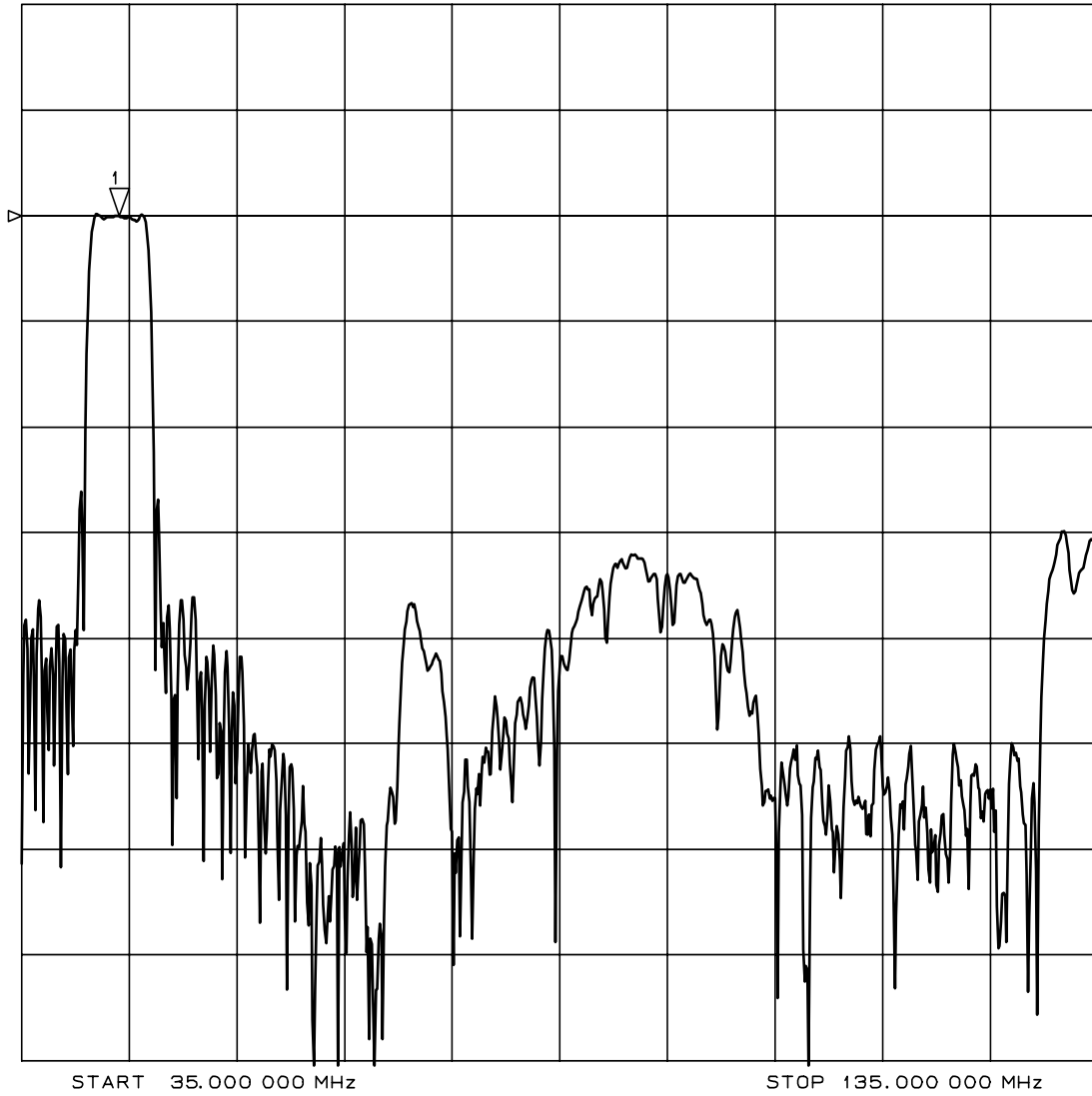
Marker1 : 44.06 MHz

Marker2 : 41.37 MHz

Marker3 : 46.75 MHz

Customer Name	Standard specification	FUJITSU MEDIA DEVICES LIMITED	
Application	IF Filter for Terrestrial-TV		
System	America		
Picture Carrier Frequency	44.00 MHz	DATE	Aug. 15 2006
FMD Part Number	FAR-F4SE-44M000-H0AG	Version	2.0

Amplitude Response (10dB/div)
(35.0MHz ----- 135.0MHz)



Marker1 : 44.06 MHz

Customer Name	Standard specification	FUJITSU MEDIA DEVICES LIMITED	
Application	IF Filter for Terrestrial-TV		
System	America		
Picture Carrier Frequency	44.00 MHz	DATE	Aug. 15 2006
FMD Part Number	FAR-F4SE-44M000-H0AG	Version	2.0

Time domain Response (10dB/div)

