

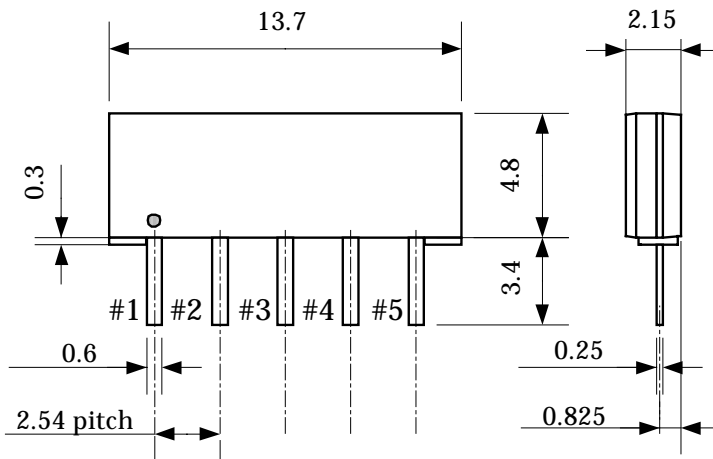
Customer Name	Standard specification	FUJITSU MEDIA DEVICES LIMITED	
Application	IF Filter for Terrestrial-TV		
System	America		
Picture Carrier Frequency	44.00 MHz	DATE	June 21 2005
FMD Part Number	FAR-F4SE-44M000-H0A1	Version	2.1

Table 1 Proposal Specification (Ta=25°C(45°C))

Items	Conditions	Specification			Unit	Remarks
		Min.	Typ.	Max.		
Insertion Loss	44.016 (44.00) MHz	16.6	18.1	19.6	dB	
Relative level	35.016 ~ 40.336 MHz (35.00 ~ 40.35 MHz)	-	- 43	- 37	dB	
	39.766 (39.75) MHz	-	- 56	- 43	dB	
	40.766 (40.75) MHz	-	- 24	- 18	dB	
	41.326 (41.31) MHz	- 3.1	-2.1	- 1.1	dB	
	41.446 (41.43) MHz	-1.7	- 1.0	- 0.3	dB	
	41.616 (41.60) MHz	- 0.8	- 0.3	0.2	dB	
	44.016 (44.00) MHz	-	0	-	dB	Reference
	46.416 (46.40) MHz	-0.4	0.1	0.6	dB	
	46.586 (46.57) MHz	-1.5	- 0.8	- 0.1	dB	
	46.706 (46.69) MHz	- 3.1	- 2.1	- 1.1	dB	
	47.266 (47.25) MHz	-	- 29	- 23	dB	
	48.186 (48.17) MHz	-	- 55	- 42	dB	
	47.566 ~ 55.016 MHz (47.55 ~ 55.00 MHz)	-	- 41	-35	dB	
	Amplitude ripple (p-p)	41.616 ~ 46.416 MHz (41.60 ~ 46.40 MHz)	-	0.4	0.8	dB
Group delay ripple (p-p)	41.326 ~ 46.706 MHz (41.31 ~ 46.69 MHz)	-	40	60	ns	
Input Capacitance	Cin	-	21.8	-	pF	at 1MHz
Output Capacitance	Cout	-	5.9	-	pF	at 1MHz
Temperature coefficient		-	-18	-	ppm/°C	

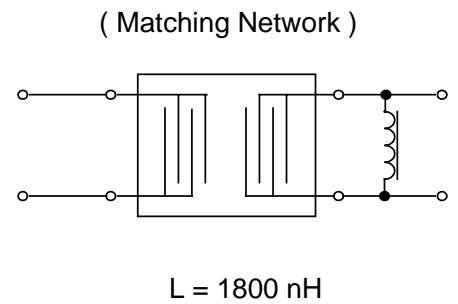
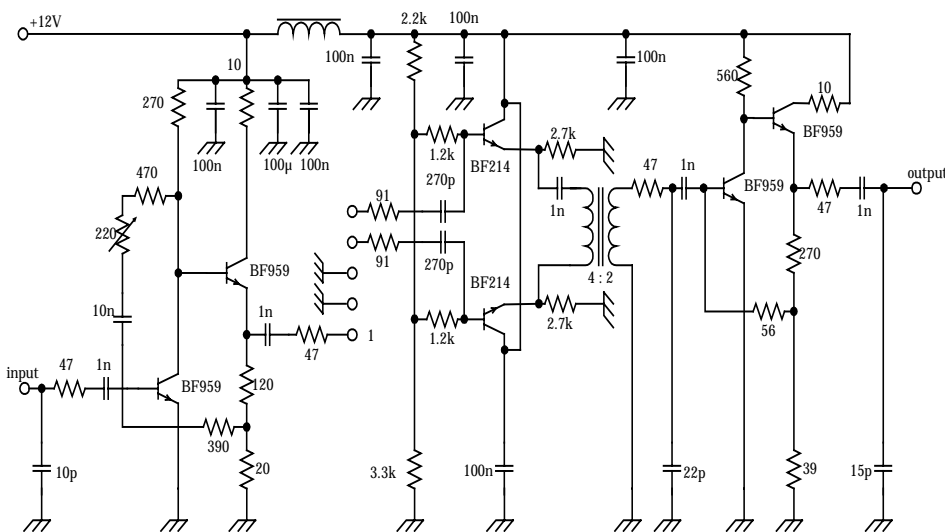
Customer Name	Standard specification	FUJITSU MEDIA DEVICES LIMITED	
Application	IF Filter for Terrestrial-TV		
System	America		
Picture Carrier Frequency	44.00 MHz	DATE	June 21 2005
FMD Part Number	FAR-F4SE-44M000-H0A1	Version	2.1

1. Pin assignment of plastics Package



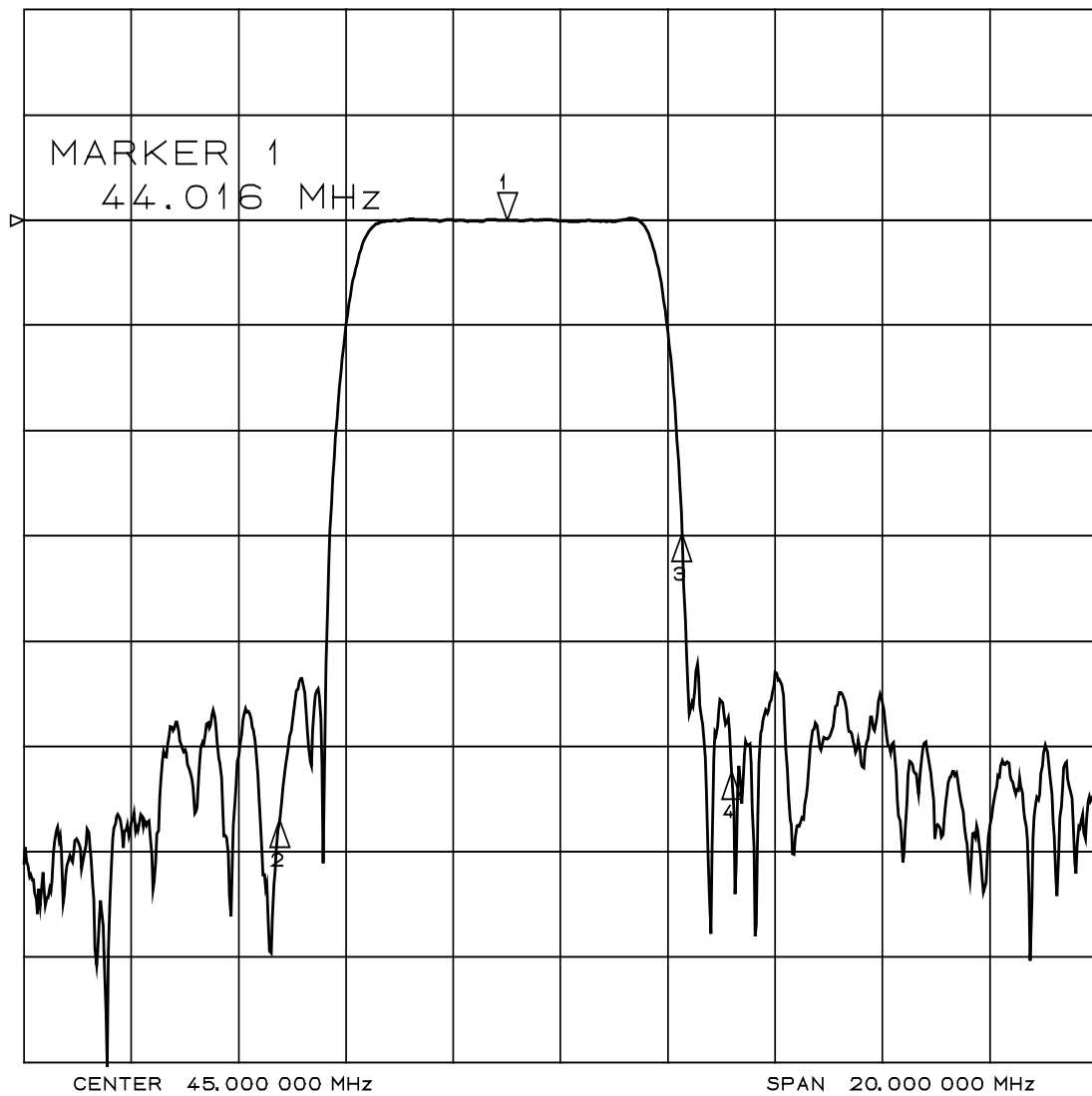
Pin No.	Pin name	Description
1	IN	input pin
2	IN	input pin (Ground)
3	GND	Ground pin
4	OUT	output pin
5	OUT	output pin

2. Measurement circuit



Customer Name	Standard specification	FUJITSU MEDIA DEVICES LIMITED	
Application	IF Filter for Terrestrial-TV		
System	America		
Picture Carrier Frequency	44.00 MHz	DATE	June 21 2005
FMD Part Number	FAR-F4SE-44M000-H0A1	Version	2.1

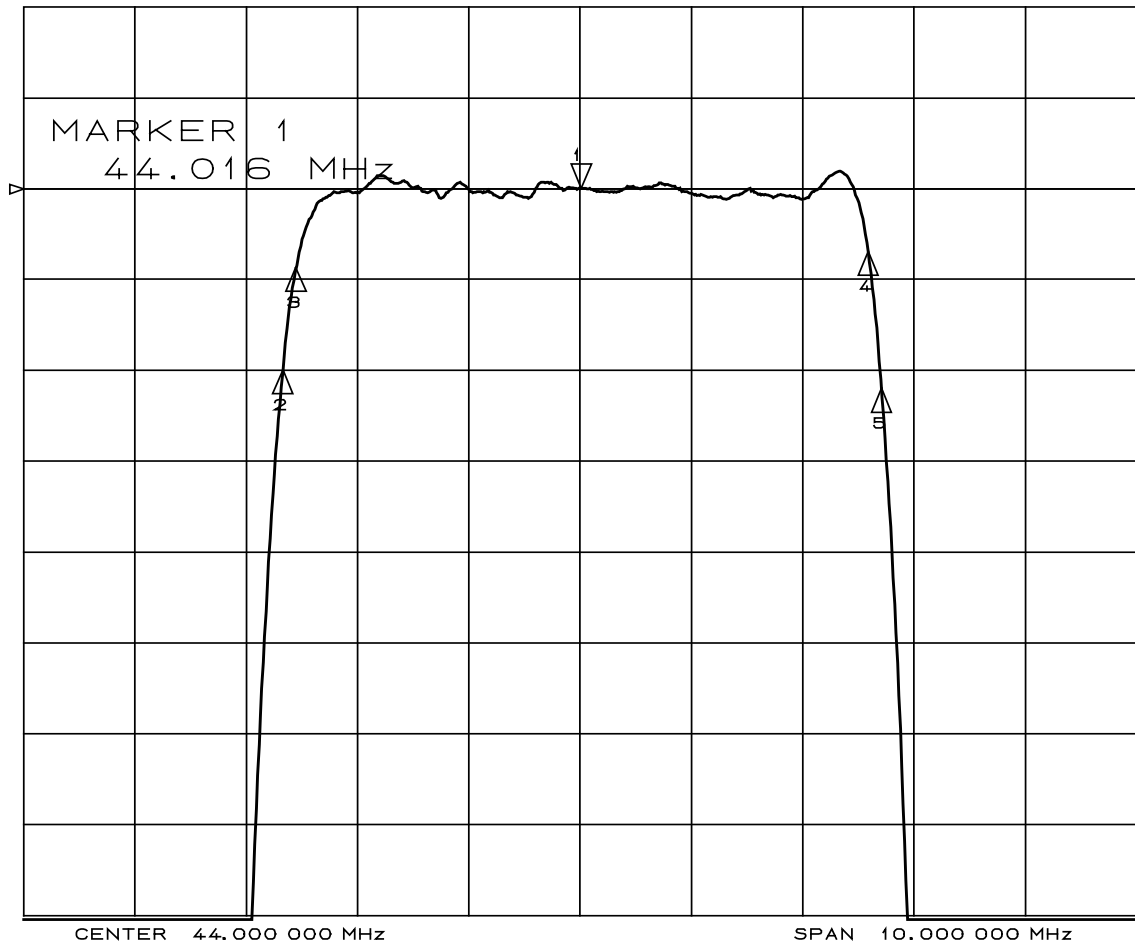
Amplitude Response (10dB/div)



- Marker 1 = 44.016 MHz
- Marker 2 = 39.766 MHz
- Marker 3 = 47.266 MHz
- Marker 4 = 48.186 MHz

Customer Name	Standard specification	FUJITSU MEDIA DEVICES LIMITED	
Application	IF Filter for Terrestrial-TV		
System	America		
Picture Carrier Frequency	44.00 MHz	DATE	June 21 2005
FMD Part Number	FAR-F4SE-44M000-H0A1	Version	2.1

Amplitude Response (1dB/div)

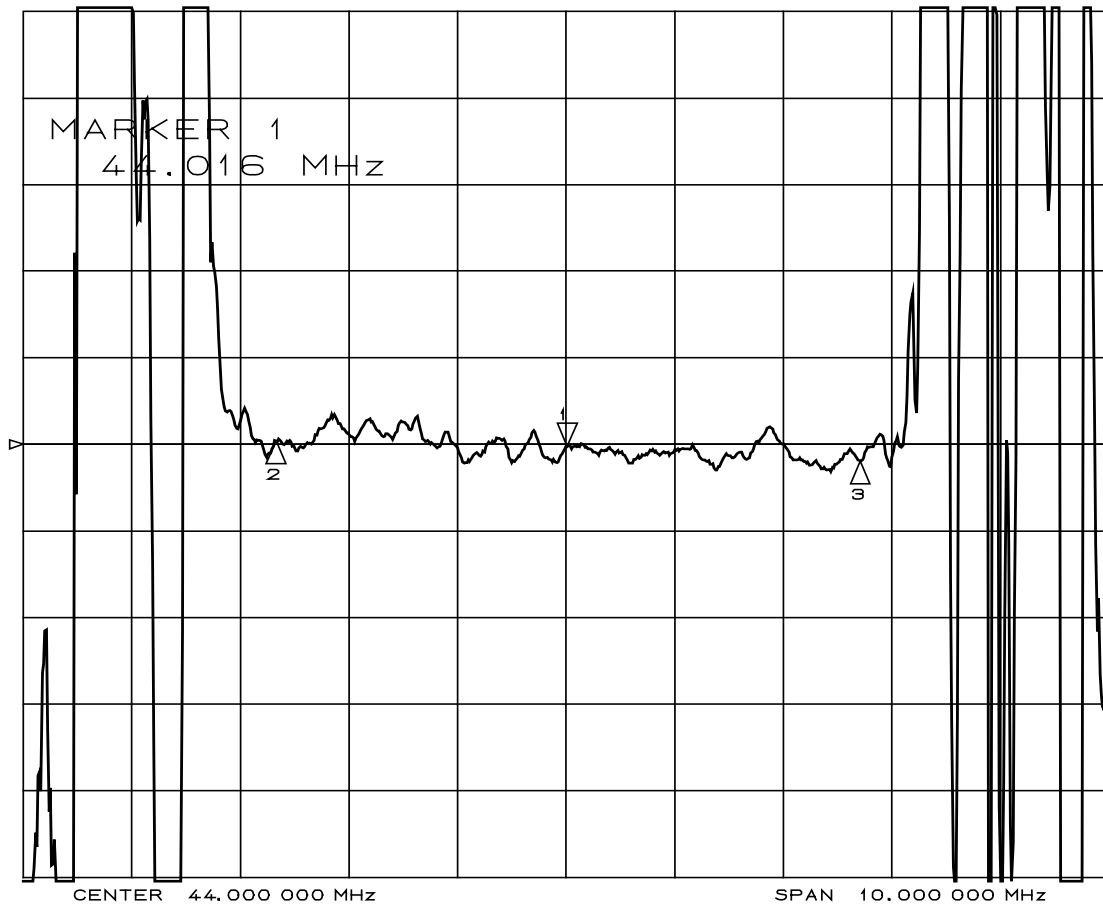


- Marker 1 = 44.016 MHz
- Marker 2 = 41.326 MHz
- Marker 3 = 41.446 MHz
- Marker 4 = 46.586 MHz
- Marker 5 = 46.706 MHz

Customer Name	Standard specification	FUJITSU MEDIA DEVICES LIMITED	
Application	IF Filter for Terrestrial-TV		
System	America		
Picture Carrier Frequency	44.00 MHz	DATE	June 21 2005
FMD Part Number	FAR-F4SE-44M000-H0A1	Version	2.1

Group Delay (50ns/div)

Delay Aper.=250kHz



Marker 1 = 44.016 MHz

Marker 2 = 41.326 MHz

Marker 3 = 46.706 MHz