

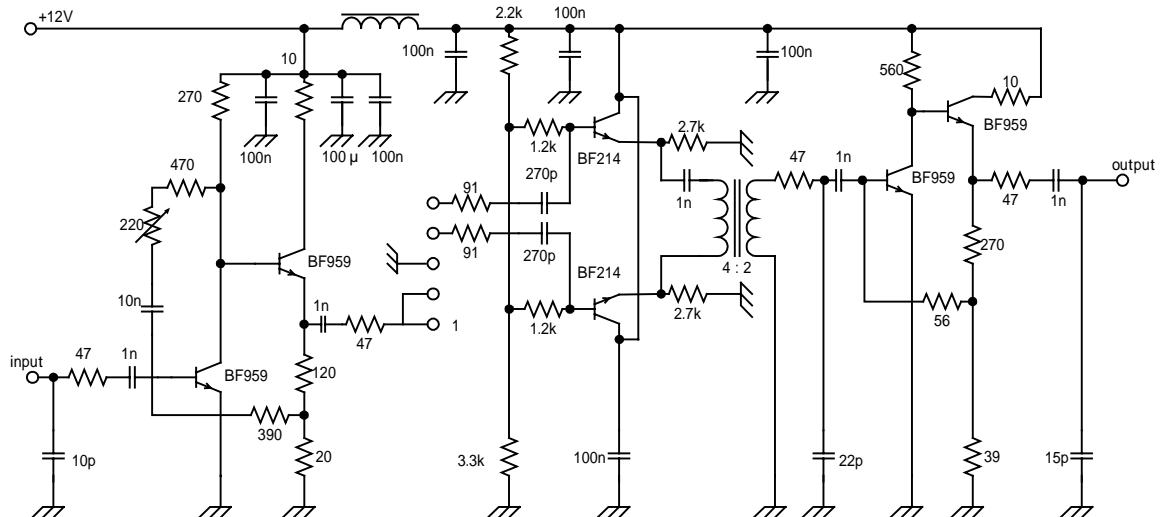
Customer Name	Standard Specification	FUJITSU MEDIA DEVICES LIMITED	
Application	IF Filter for TV (SIF+SIF (Switchable))		
System	B/G, D/K, I, L/L'		
System	TV-IF	DATE	June 21, 2005
FMD Part Number	FAR-K4SD-40M400-G031	Version	1.1

Table 1. Electrical specification (Channel 1(L'))

Ta=25°C							
Item	Condition (MHz)	FMD Proposal			Unit	Remarks	
		Min.	Typ.	Max.			
Insertion Loss	40.40	12.3	14.3	16.3	dB		
Relative attenuation	32.40	-	-46	-40	dB		
	33.90	-	-45	-40	dB		
	38.40	-	-44	-33	dB		
	39.75	-	-14	-11	dB		
	40.40	-	0.0	-	dB	Ref.	
	41.90	-	-48	-33	dB		
	Lower sidelobe	25.00 ~ 33.90	-	-40	-35	dB	
	Upper sidelobe	41.90 ~ 45.00	-	-40	-34	dB	
Capacitance at 1MHz	Cin	-	14.2	-	pF		
	Cout	-	9.0	-	pF		
Temperature drift	Cf	-	-72	-	ppm/°C		

MEASURING CIRCUIT

Characteristics of Channel 1 (switching pin 2 connected to pin)



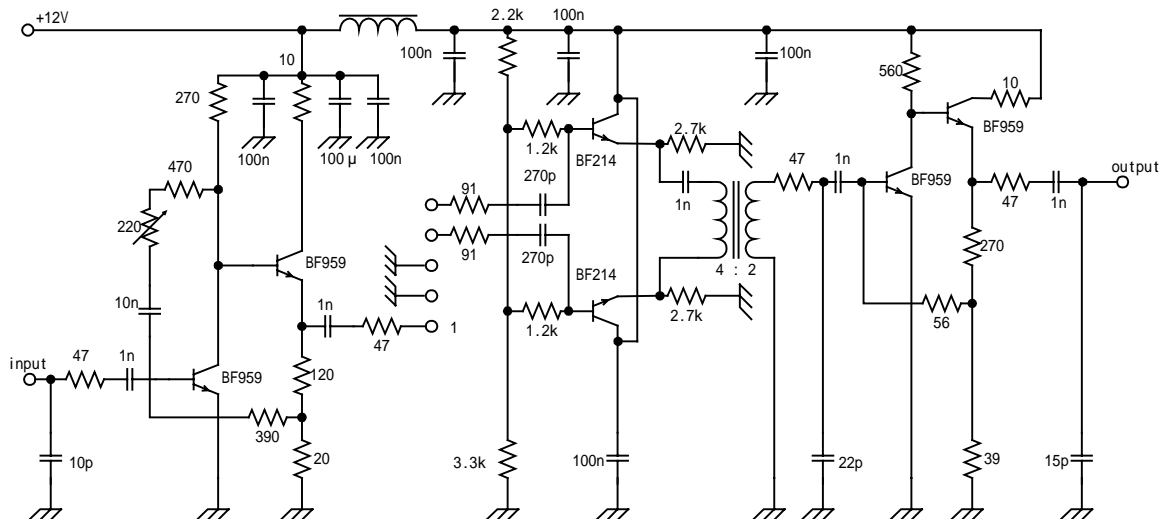
Customer Name	Standard Specification	FUJITSU MEDIA DEVICES LIMITED	
Application	IF Filter for TV (SIF+SIF (Switchable))		
System	B/G, D/K, I, L/L'		
System	TV-IF	DATE	June 21, 2005
FMD Part Number	FAR-K4SD-40M400-G031	Version	1.1

Table 2. Electrical specification (Channel 2(B/G,D/K,L,I))

Ta=25°C						
Item	Condition (MHz)	FMD Proposal			Unit	Remarks
		Min.	Typ.	Max.		
Insertion Loss	33.40	10.5	12.5	14.5	dB	
Relative attenuation	30.90	-	-58	-41	dB	
	31.90	-	-10.8	-7.8	dB	
	32.40	-2.9	-0.9	1.9	dB	
	32.90	-1.2	1.2	3.2	dB	
	33.05	-1.0	1.0	3.0	dB	
	33.40	-	0.0	-	dB	Ref.
	34.47	-	-40	-32	dB	
	38.90	-	-40	-36	dB	
	40.40	-	-37	-33	dB	
	40.90	-	-55	-40	dB	
	41.40	-	-52	-40	dB	
	Lower sidelobe	25.00 ~ 30.90	-	-47	-40	dB
Upper sidelobe	40.40 ~ 45.00	-	-37	-33	dB	
Capacitance at 1MHz	Cin	-	16.6	-	pF	

MEASURING CIRCUIT

Characteristics of Channel 2 (1 switching pin 2 connected to ground)



Customer Name	Standard Specification	FUJITSU MEDIA DEVICES LIMITED	
Application	IF Filter for TV (SIF+SIF (Switchable))		
System	B/G, D/K, I, L/L'		
System	TV-IF	DATE	June 21, 2005
FMD Part Number	FAR-K4SD-40M400-G031	Version	1.1

● **Dimensions**

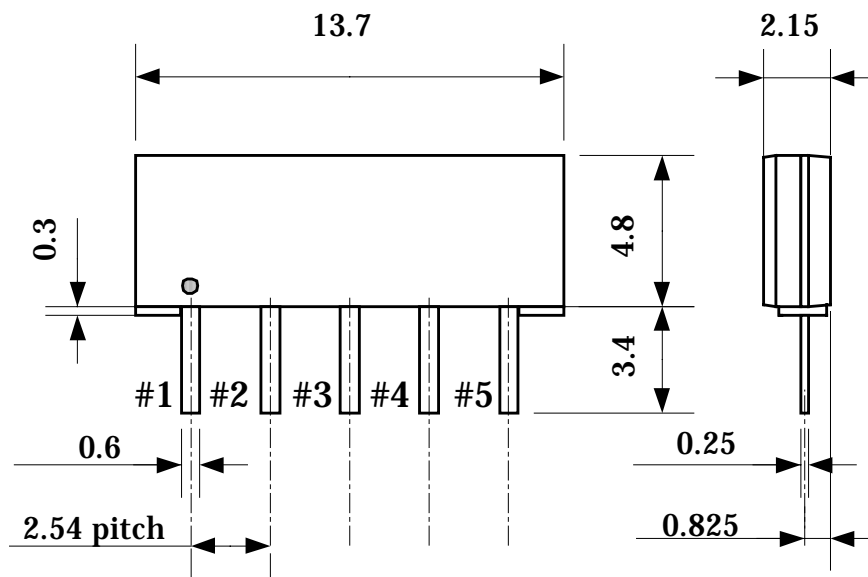


Fig.1

● **Pin Configuration**

Table 2

Pin No.	Symbol	Function
#1	IN	Input
#2	SW	Switching
#3	GND	Ground
#4	OUT	Output
#5	OUT	Output

Customer Name	Standard Specification	FUJITSU MEDIA DEVICES LIMITED	
Application	IF Filter for TV (SIF+SIF (Switchable))		
System	B/G, D/K, I, L/L'		
System	TV-IF	DATE	June 21, 2005
FMD Part Number	FAR-K4SD-40M400-G031	Version	1.1

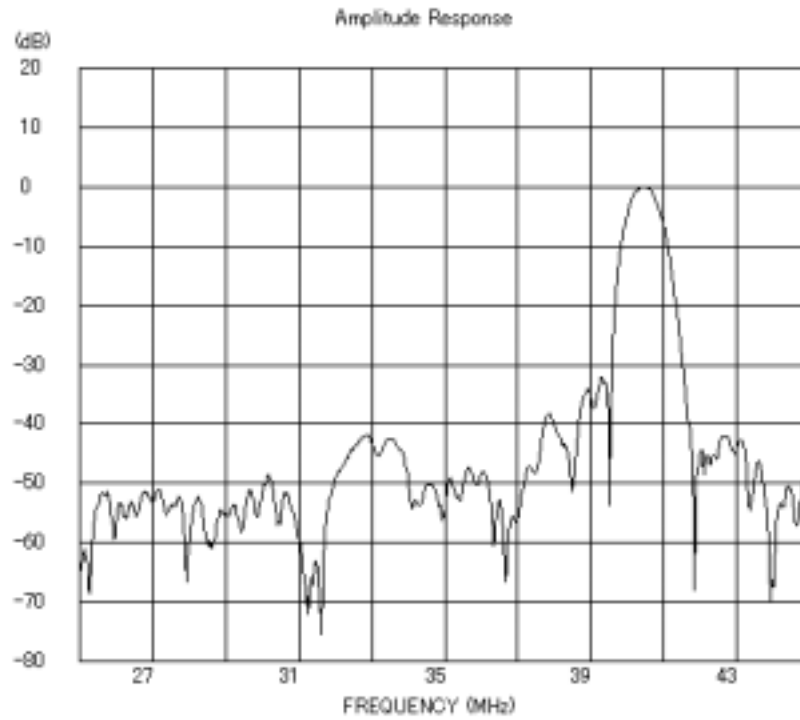


Figure 1. Pass-band characteristic (channel 1)

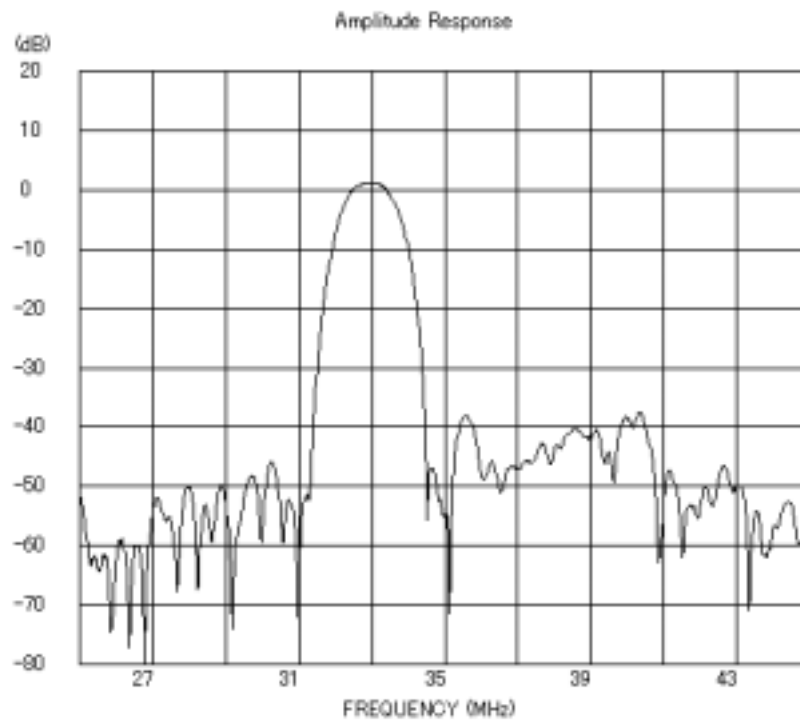


Figure 2. Pass-band characteristic (channel 2)