

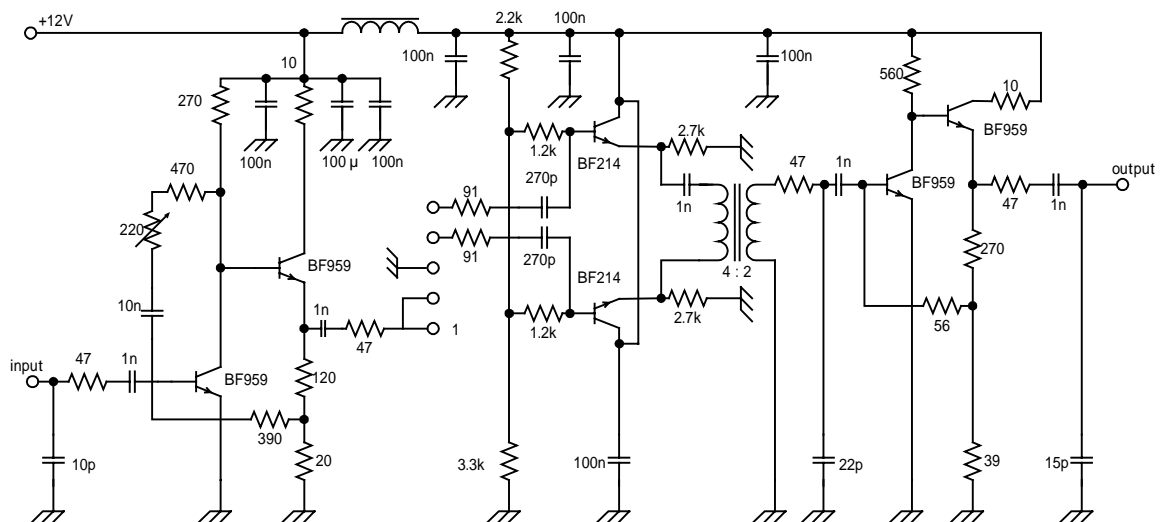
Customer Name	Standard specification	FUJITSU MEDIA DEVICES LIMITED	
Application	IF Filter for TV (SIF+SIF (Switchable))		
System	PAL B/G, D/K, L, L'		
Picture Frequency	33.9/38.9MHz	DATE	June 21, 2005
FMD Part Number	FAR-K4SD-40M400-G002	Version	1.1

Table 1. Electrical specification (Channel 1 (L'))

Ta=25							
Item	Condition (MHz)	Specification			Unit	Remarks	
		Min.	Typ.	Max			
Insertion Loss	40.40	12.2	14.2	16.2	dB		
Relative attenuation	32.40	---	-46	-37	dB	fp-1.5	
	33.90	---	-50	-40	dB	fp	
	38.33	---	-45	-34	dB	fp+4.43	
	38.40	---	-45	-33	dB	fp+4.5	
	39.75	---	-15	-9	dB	fp+5.85	
	40.40	---	0(Ref.)	---	dB	fp+6.5	
	41.90	---	-49	-35	dB	fp+8.0	
	Lower sidelobe	25.00 ~ 33.90	---	-40	-35	dB	
	Upper sidelobe	41.90 ~ 45.00	---	-39	-34	dB	
Input Capacitance	Cin	---	14.4	---	pF	at 1MHz	
Output Capacitance	Cout	---	9.0	---	pF	at 1MHz	
Temperature drift	Cf		-72		ppm/°C		

MEASURING CIRCUIT

Characteristics of Channel 1 (switching pin 2 connected to pin)



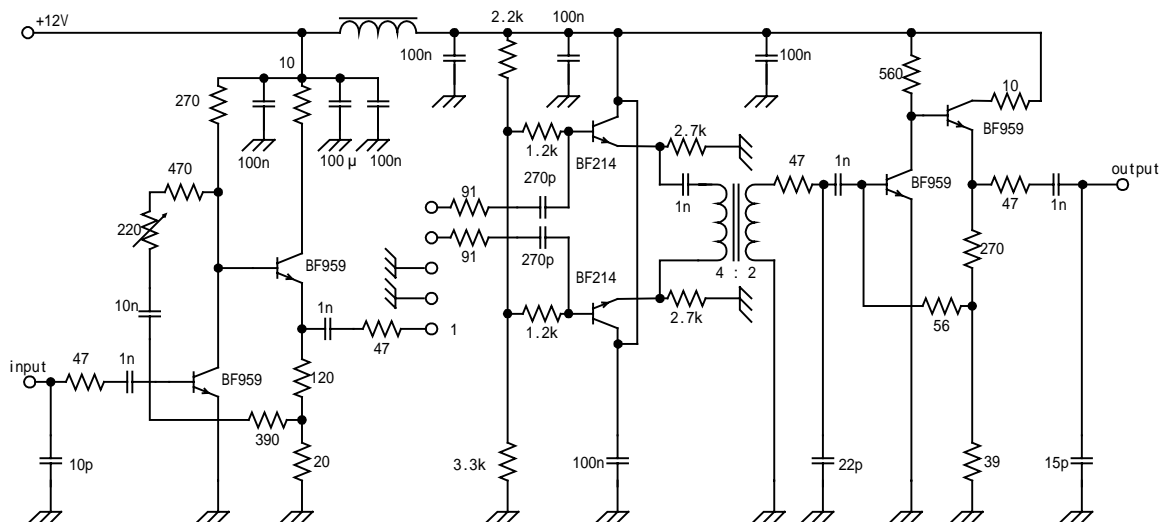
Customer Name	Standard specification	FUJITSU MEDIA DEVICES LIMITED	
Application	IF Filter for TV (SIF+SIF (Switchable))		
System	PAL B/G, D/K, L, L'		
Picture Frequency	33.9/38.9MHz	DATE	June 21, 2005
FMD Part Number	FAR-K4SD-40M400-G002	Version	1.1

Table 2. Electrical specification (Channel 2 (B/G,D/K,L,I))

Ta=25						
Item	Condition (MHz)	FMD Proposal (Typ.)			Unit	Remarks
		Min.	Typ.	Max.		
Insertion Loss	33.40	11.1	13.1	15.1	dB	
Relative attenuation	30.90	---	-50	-42	dB	fp-8.0
	31.90	---	-11	-6	dB	fp-7.0
	32.40	-4.6	-1.6	1.6	dB	fp-6.5
	32.90	0.4	2.2	4.0	dB	fp-6.0
	33.05	0.4	2.2	4.0	dB	fp-5.85
	33.40	---	0(Ref.)	---	dB	fp-5.5
	34.47	---	-49	-37	dB	fp-4.43
	38.90	---	-49	-40	dB	fp
	40.40	---	-43	-38	dB	fp+1.5
	40.90	---	-44	-39	dB	fp+2.0
	41.40	---	-54	-42	dB	fp+2.5
	Lower sidelobe	25.00 ~ 30.90	---	-47	-42	dB
Upper sidelobe	40.40 ~ 45.00	---	-42	-37	dB	
Input Capacitance	Cin	---	16.5	---	pF	at 1MHz
Temperature drift	Cf	---	-72	---	ppm/°C	

MEASURING CIRCUIT

Characteristics of Channel 2 (1 switching pin 2 connected to ground)



Customer Name	Standard specification	FUJITSU MEDIA DEVICES LIMITED	
Application	IF Filter for TV (SIF+SIF (Switchable))		
System	PAL B/G, D/K, L, L'		
Picture Frequency	33.9/38.9MHz	DATE	June 21, 2005
FMD Part Number	FAR-K4SD-40M400-G002	Version	1.1

● **Dimensions**

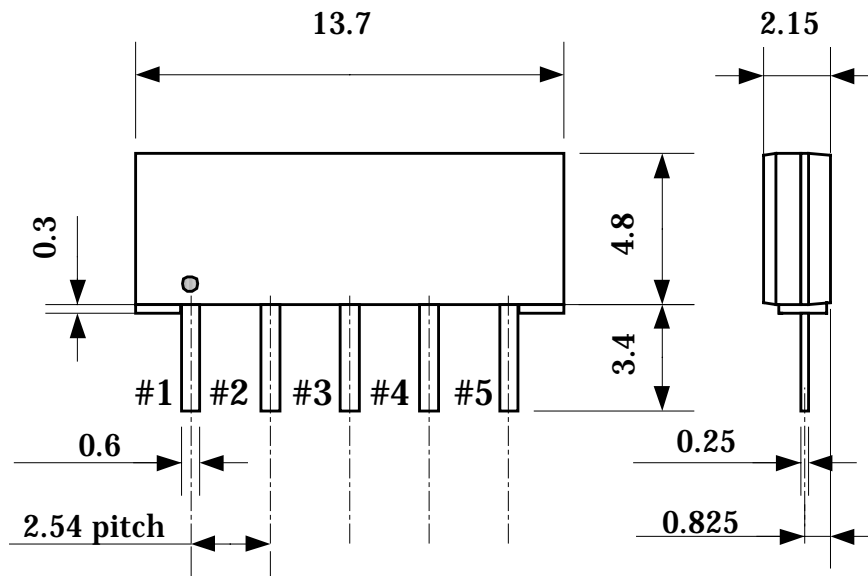


Fig.1

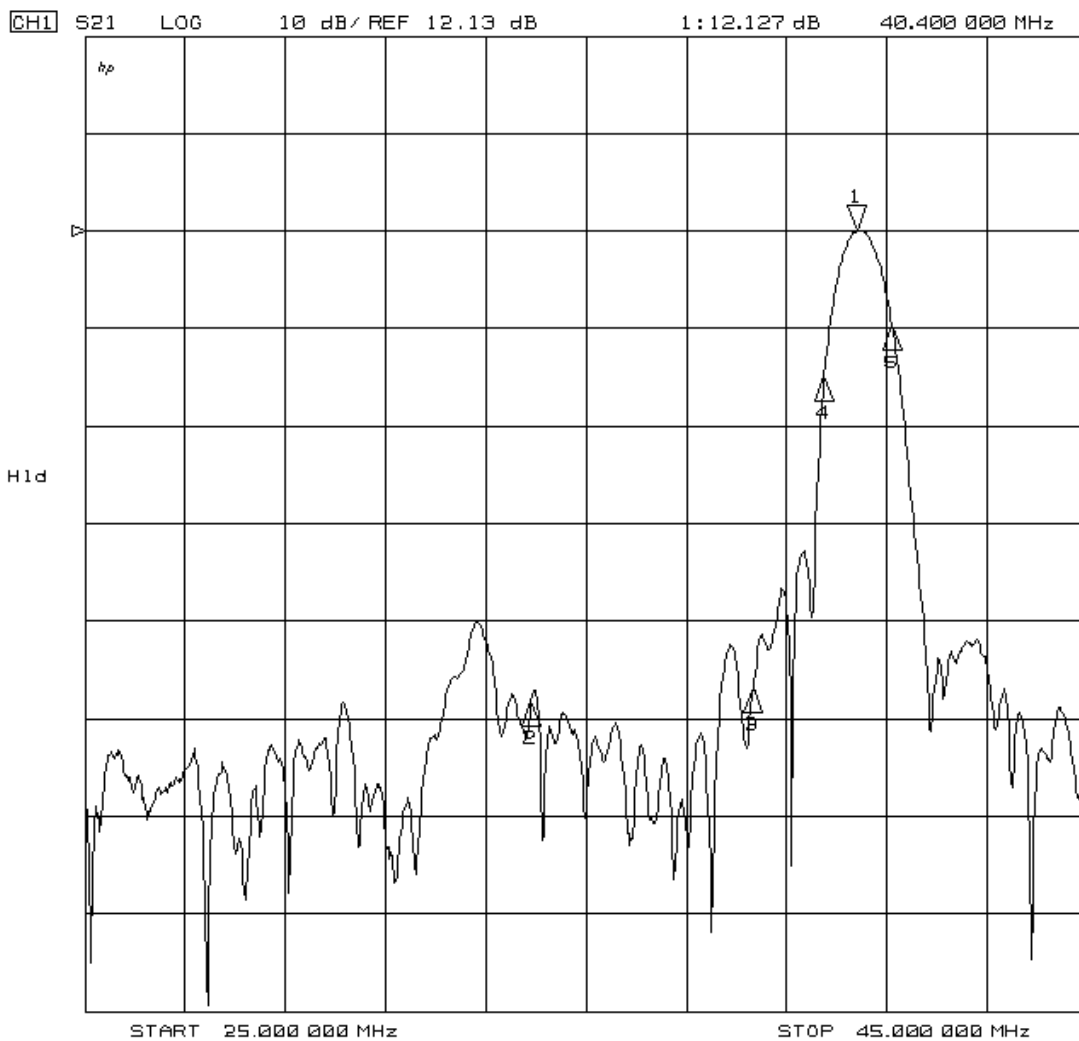
● **Pin Configuration**

Table 2

Pin No.	Symbol	Function
#1	IN	Input
#2	SW	Switching
#3	GND	Ground
#4	OUT	Output
#5	OUT	Output

Customer Name	Standard specification	FUJITSU MEDIA DEVICES LIMITED	
Application	IF Filter for TV (SIF+SIF (Switchable))		
System	PAL B/G, D/K, L, L'		
Picture Frequency	33.9/38.9MHz	DATE	June 21, 2005
FMD Part Number	FAR-K4SD-40M400-G002	Version	1.1

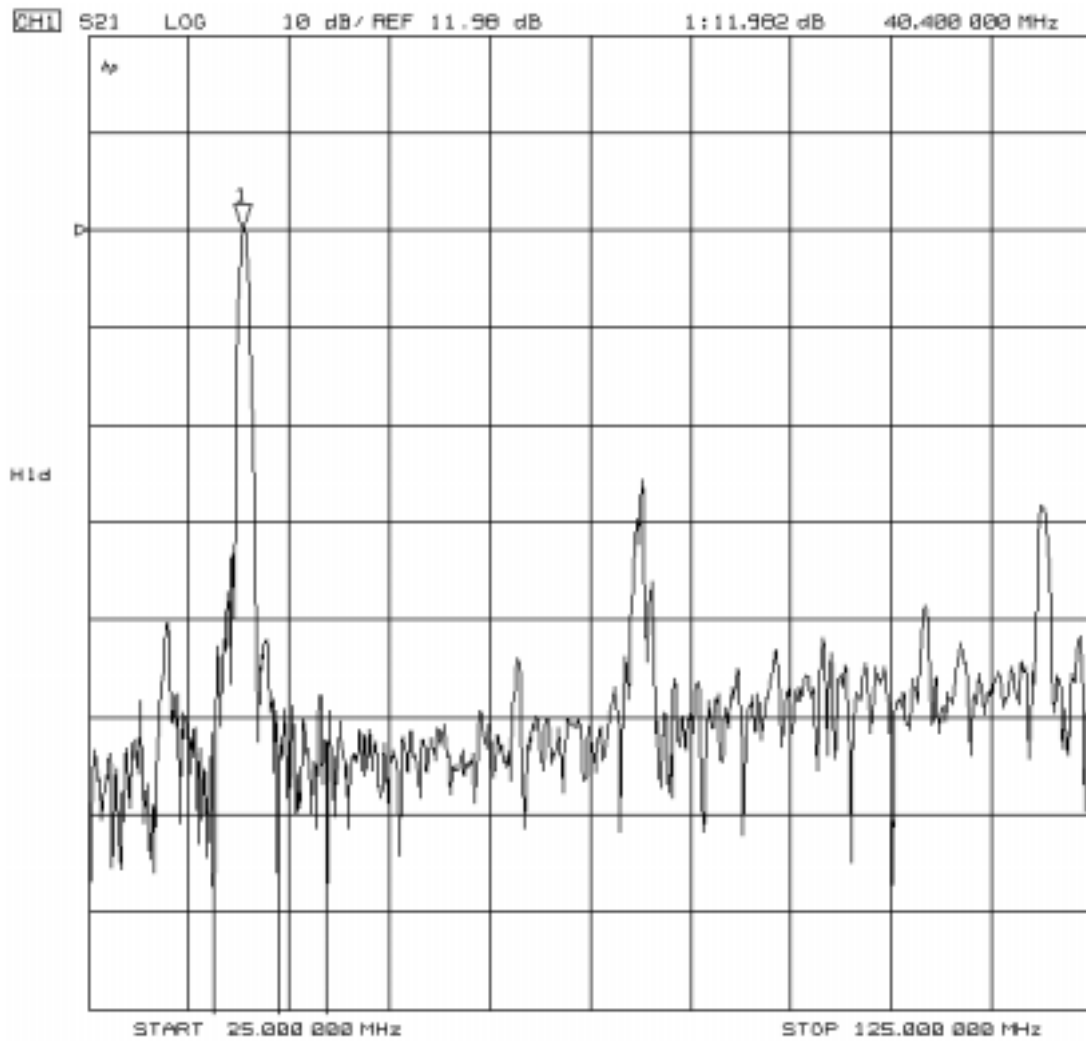
Amplitude Response [Channel1] (10dB/div)



- Marker1 : 40.40 MHz
- Marker2 : 33.90 MHz
- Marker3 : 38.33 MHz
- Marker4 : 39.75 MHz
- Marker5 : 41.40 MHz

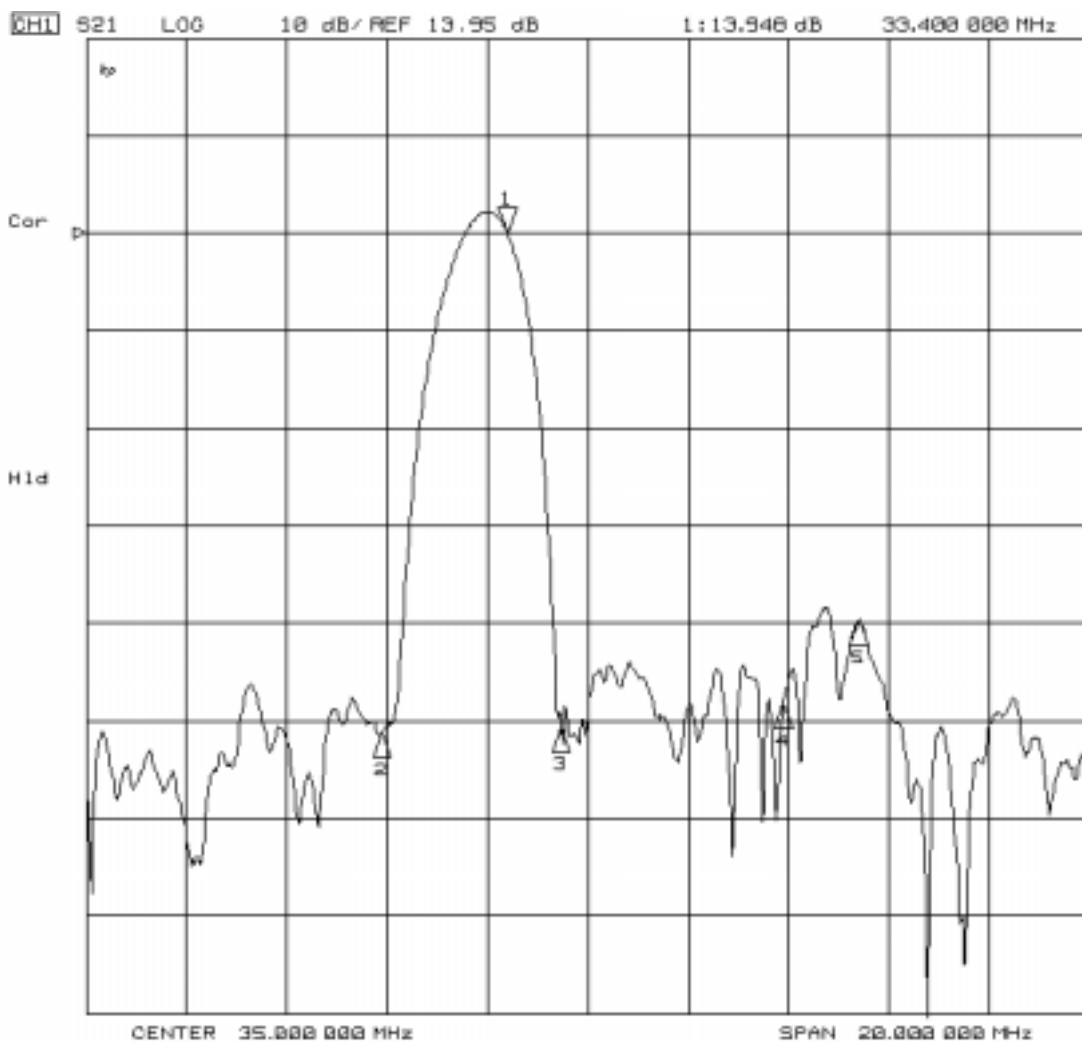
Customer Name	Standard specification	FUJITSU MEDIA DEVICES LIMITED	
Application	IF Filter for TV (SIF+SIF (Switchable))		
System	PAL B/G, D/K, L, L'		
Picture Frequency	33.9/38.9MHz	DATE	June 21, 2005
FMD Part Number	FAR-K4SD-40M400-G002	Version	1.1

Amplitude Response [Channel1] (10dB/div)
(25.0MHz ----- 125.0MHz)



Customer Name	Standard specification	FUJITSU MEDIA DEVICES LIMITED	
Application	IF Filter for TV (SIF+SIF (Switchable))		
System	PAL B/G, D/K, L, L'		
Picture Frequency	33.9/38.9MHz	DATE	June 21, 2005
FMD Part Number	FAR-K4SD-40M400-G002	Version	1.1

Amplitude Response [Channel2] (10dB/div)



- Marker1 : 33.40 MHz
- Marker2 : 30.90 MHz
- Marker3 : 34.47 MHz
- Marker4 : 38.90 MHz
- Marker5 : 40.40 MHz

Customer Name	Standard specification	FUJITSU MEDIA DEVICES LIMITED	
Application	IF Filter for TV (SIF+SIF (Switchable))		
System	PAL B/G, D/K, L, L'		
Picture Frequency	33.9/38.9MHz	DATE	June 21, 2005
FMD Part Number	FAR-K4SD-40M400-G002	Version	1.1

Amplitude Response [Channel2] (10dB/div)
(25.0MHz ----- 125.0MHz)

