

Customer Name	<b>Standard specification</b>	FUJITSU MEDIA DEVICES LIMITED	
Application	IF Filter for TV(PIF+PIF(Switchable))		
System	B/G,L/L', M/N		
Picture Carrier Frequency	38.9 MHz	DATE	Jun. 27 2003
FMD Part Number	FAR-K4SD-38M900-F003	Version 1.1	

**Table 1-1 Electrical Specification (Ta=25°C)**

Channel 1 (NTSC M/N)		Pin No.1&2=INPUT			Pin No.3=GROUND	
Items	Conditions	Specification			Unit	Remarks
		Min.	Typ.	Max.		
Insertion Loss	fp-1.5 (37.40 MHz)	-	16.2	-	dB	
Relative level	fp-6.0 (32.90 MHz)	-	-50	-	dB	
	fp-4.5 (34.40 MHz)	-	-28	-	dB	
	fp-3.58 (35.32 MHz)	-	-1.7	-	dB	
	fp-1.5 (37.40 MHz)	-	0	-	dB	Reference
	fp (38.90 MHz)	-	-6.1	-	dB	
	fp+1.5 (40.40 MHz)	-	-45	-	dB	
	25.00 ~ 32.90 MHz	-	-43	-	dB	
	40.40 ~ 45.00 MHz	-	-41	-	dB	
	Group delay ripple	35.32 ~ 38.90 MHz	-	40	-	ns
Input Capacitance	Cin1 (1.0 MHz)	-	17.8	-	pF	
Output Capacitance	Cout (1.0 MHz)	-	7.0	-	pF	
Temperature coefficient		-	-72	-	ppm/°C	

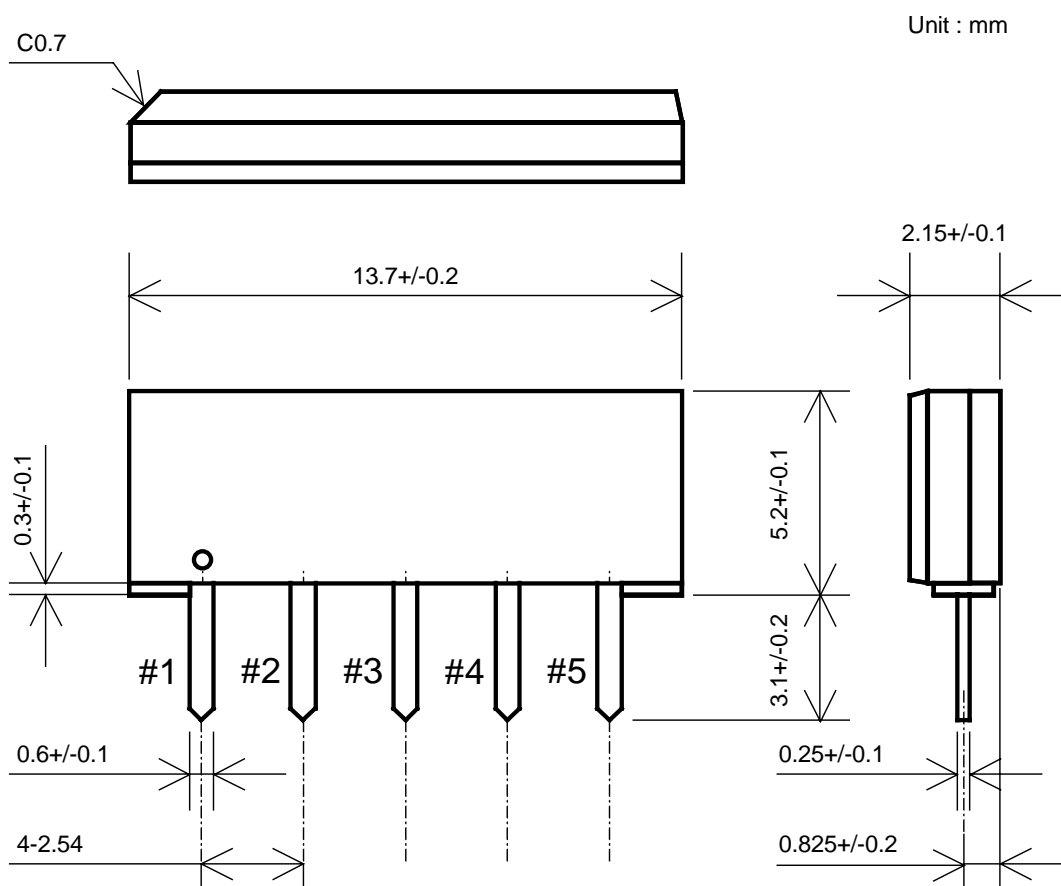
Customer Name	<b>Standard specification</b>	FUJITSU MEDIA DEVICES LIMITED	
Application	IF Filter for TV(PIF+PIF(Switchable))		
System	B/G,L/L', M/N		
Picture Carrier Frequency	38.9 MHz	DATE	Jun. 27 2003
FMD Part Number	FAR-K4SD-38M900-F003	Version 1.1	

**Table 1-2 Electrical Specification (Ta=25°C)**

Channel 2 (PAL B/G,L/L')		Pin No.1=INPUT Pin No.2&3=GROUND			Unit	Remarks
Items	Conditions	Specification				
		Min.	Typ.	Max.		
Insertion Loss	fp-1.5 (37.40 MHz)	-	16.5	-	dB	
Relative level	fp-8.0 (30.90 MHz)	-	-54	-	dB	
	fp-7.0 (31.90 MHz)	-	-49	-	dB	
	fp-6.5 (32.40 MHz)	-	-47	-	dB	
	fp-5.85 (33.05 MHz)	-	-33	-	dB	
	fp-5.5 (33.40 MHz)	-	-26	-	dB	
	fp-5.0 (33.90 MHz)	-	-6.7	-	dB	
	fp-4.43 (34.47 MHz)	-	-0.4	-	dB	
	fp-1.5 (37.40 MHz)	-	0	-	dB	Reference
	fp (38.90 MHz)	-	-6.5	-	dB	
	fp+1.25 (40.15 MHz)	-	-54	-	dB	
	fp+1.5 (40.40 MHz)	-	-42	-	dB	
	fp+2.5 (41.40 MHz)	-	-48	-	dB	
	25.00 ~ 31.90 MHz	-	-44	-	dB	
	40.40 ~ 45.00 MHz	-	-38	-	dB	
Group delay	fp-4.43 (34.47 MHz)	-	30	-	ns	
	fp-2.0 (36.90 MHz)	-	-60	-	ns	
	fp (38.90 MHz)	-	0	-	ns	Reference
Input Capacitance	Cin2 (1.0 MHz)	-	26.8	-	pF	
Temperature coefficient		-	-72	-	-	

Customer Name	<b>Standard specification</b>	FUJITSU MEDIA DEVICES LIMITED	
Application	IF Filter for TV(PIF+PIF(Switchable))		
System	B/G,L/L', M/N		
Picture Carrier Frequency	38.9 MHz	DATE	Jun. 27 2003
FMD Part Number	FAR-K4SD-38M900-F003	Version 1.1	

● **Dimensions**



**Fig.1**

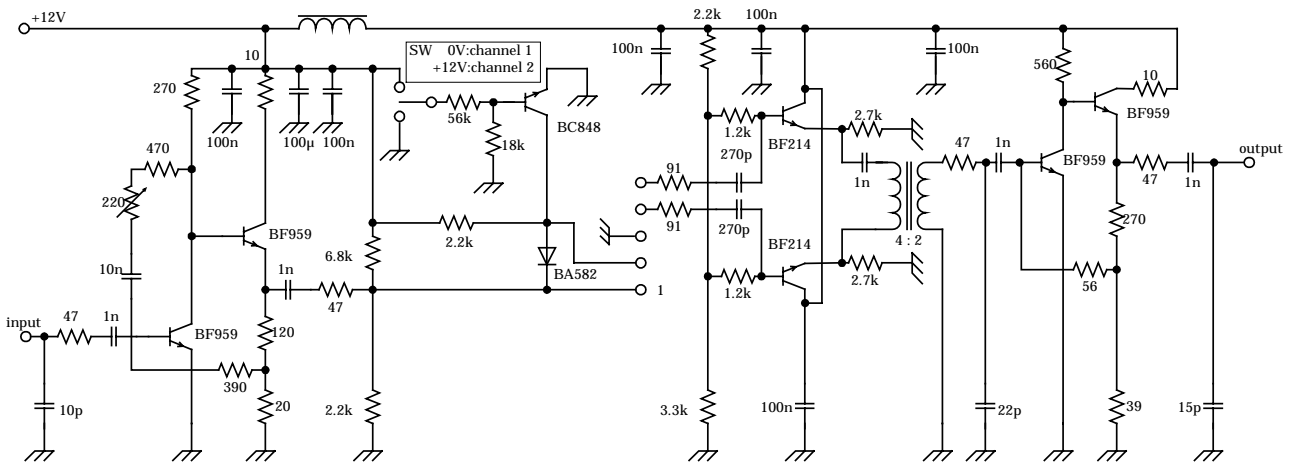
● **Pin Configuration**

**Table 2**

Pin No.	Symbol	Function
#1	IN	Input
#2	SW	Switching
#3	GND	Ground
#4	OUT	Output
#5	OUT	Output

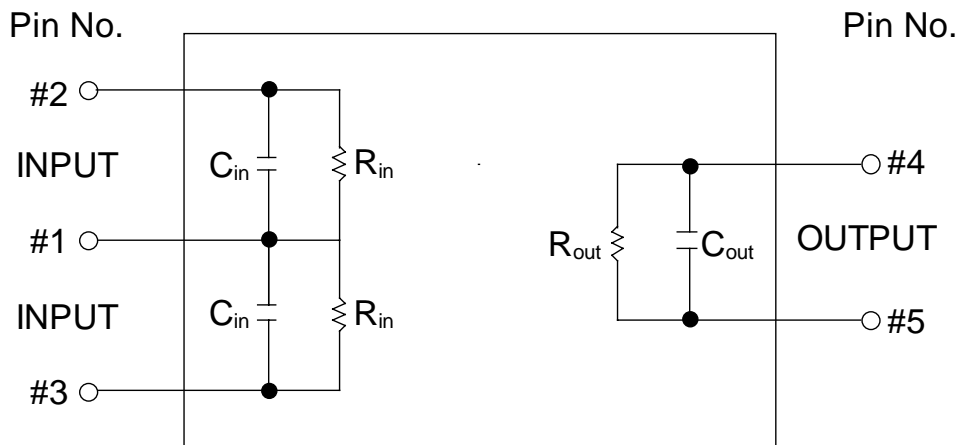
Customer Name	<b>Standard specification</b>	FUJITSU MEDIA DEVICES LIMITED	
Application	IF Filter for TV(PIF+PIF(Switchable))		
System	B/G,L/L', M/N		
Picture Carrier Frequency	38.9 MHz	DATE	Jun. 27 2003
FMD Part Number	FAR-K4SD-38M900-F003	Version 1.1	

● **Evaluation Circuit**



**Fig.2 Evaluation circuit**

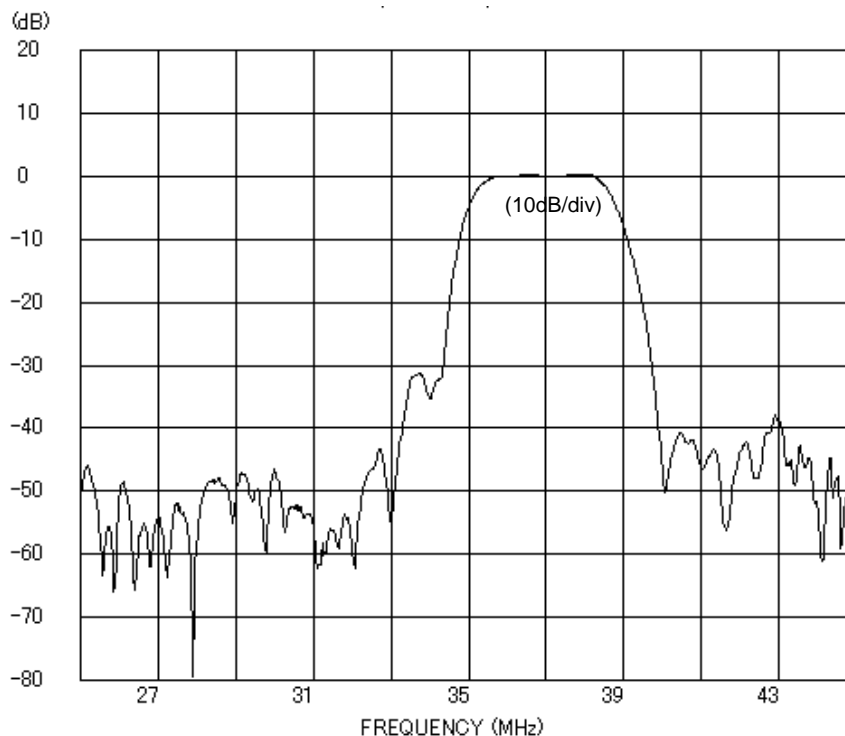
● **Equivalent Circuit**



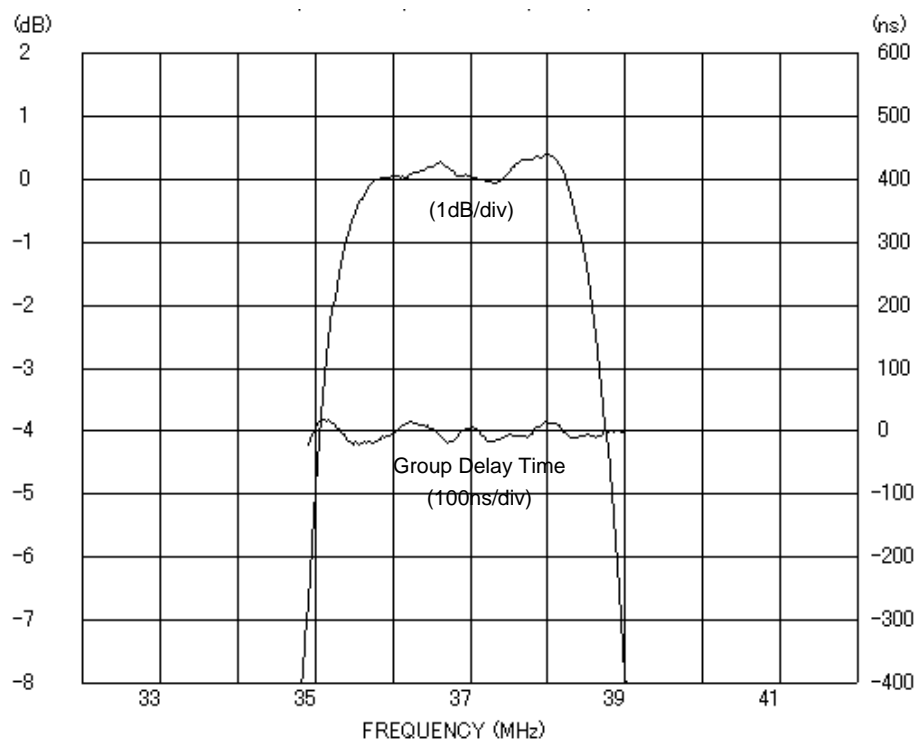
**Fig.3 Equivalent circuit**

Customer Name	<b>Standard specification</b>	FUJITSU MEDIA DEVICES LIMITED	
Application	IF Filter for TV(PIF+PIF(Switchable))		
System	B/G,L/L', M/N		
Picture Carrier Frequency	38.9 MHz	DATE	Jun. 27 2003
FMD Part Number	FAR-K4SD-38M900-F003	Version 1.1	

Channel 1 (M/N)



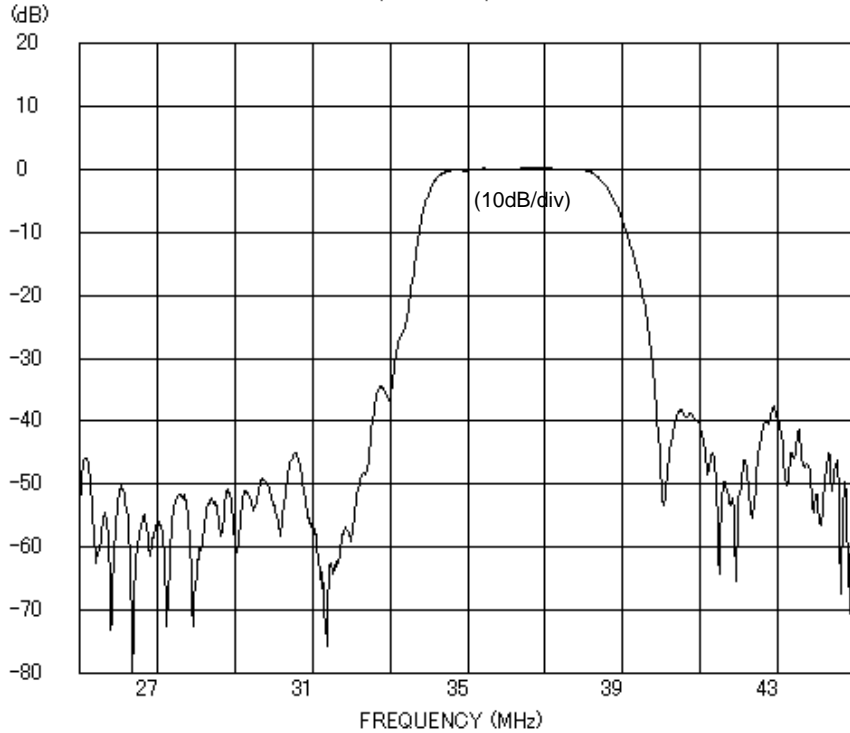
**Frequency Characteristics**



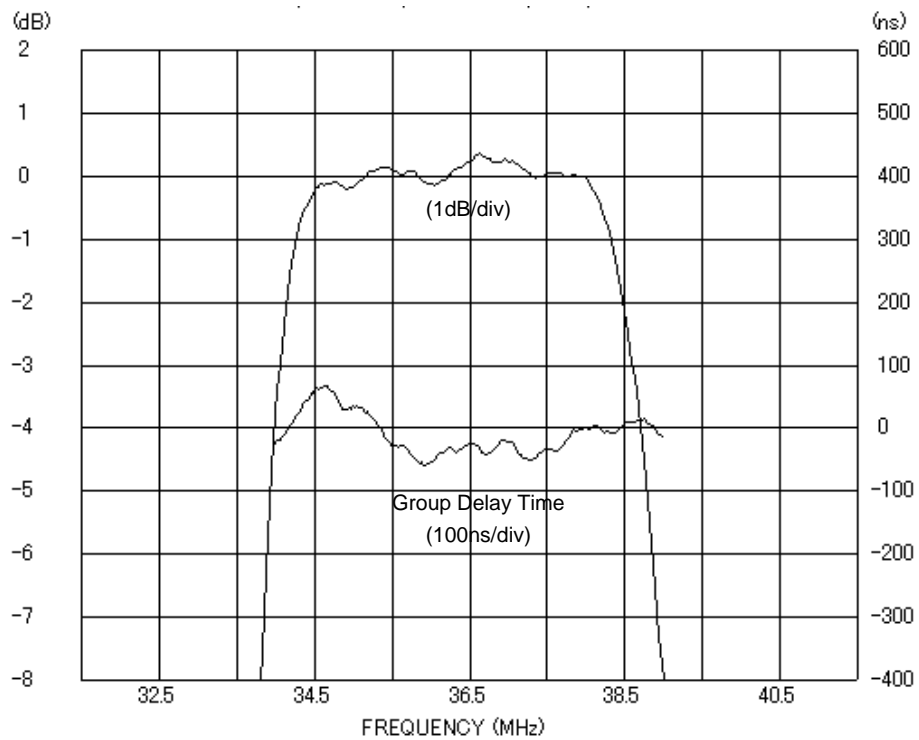
**In-band Characteristics**

Customer Name	<b>Standard specification</b>	FUJITSU MEDIA DEVICES LIMITED	
Application	IF Filter for TV(PIF+PIF(Switchable))		
System	B/G,L/L', M/N		
Picture Carrier Frequency	38.9 MHz	DATE	Jun. 27 2003
FMD Part Number	FAR-K4SD-38M900-F003	Version 1.1	

Channel 2 (B/G,L/L') (dB)



**Frequency Characteristics**



**In-band Characteristics**