

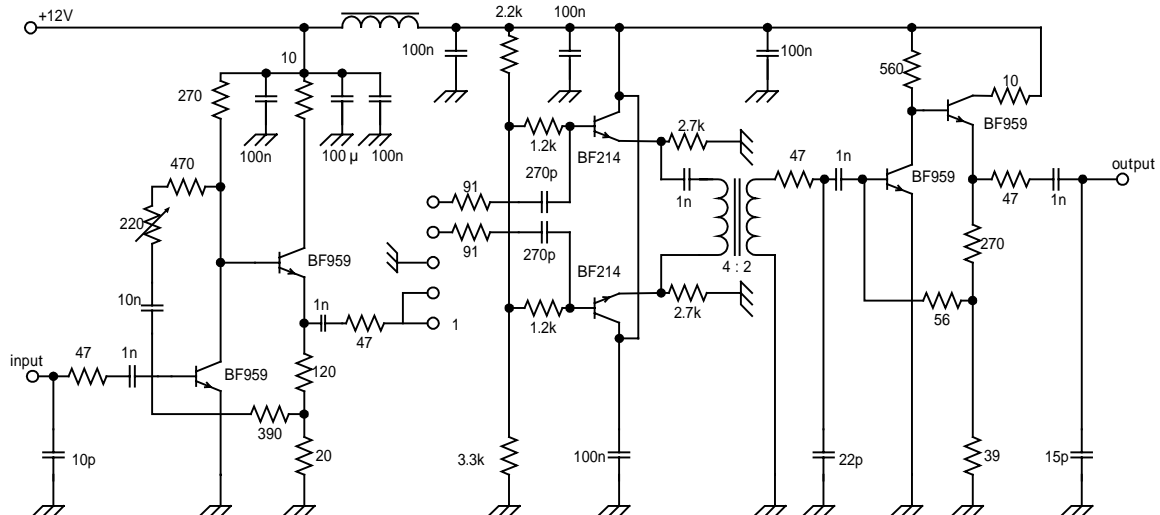
Customer Name	<b>Standard specification</b>	FUJITSU MEDIA DEVICES LIMITED	
Application	IF Filter for TV (PIF+PIF (Switchable))		
Picture Carrier Frequency	38.00MHz	DATE	June 21, 2005
FMD Part Number	FAR-K4SD-38M000-F011	Version	3.1

**Table 1-1 Electrical Specification (Ta=25°C)**

Channel 1 (PAL B/G, D/K)		Pin No.1&2=INPUT			Pin No.3=GROUND	
Items	Conditions	Specification			Unit	Remarks
		Min.	Typ.	Max.		
Insertion Loss	fp-1.5 (36.50 MHz)	15.2	16.7	18.2	dB	
Relative level	fp-8.0 (30.00 MHz)	---	-56	-38	dB	
	fp-7.0 (31.00 MHz)	---	-47	-40	dB	
	fp-6.5 (31.50 MHz)	---	-45	-39	dB	
	fp-5.5 (32.50 MHz)	---	-32	-25	dB	
	fp-4.43 (33.57 MHz)	-2.4	-1.2	0.0	dB	
	fp-1.5 (36.50 MHz)	---	0	---	dB	Reference
	fp (38.00 MHz)	-6.4	-5.2	-4.0	dB	
	fp+1.5 (39.50 MHz)	---	-39	-33	dB	
	25.00 ~ 30.00 MHz	---	-41	-36	dB	
	39.50 ~ 45.00 MHz	---	-36	-32	dB	
Group delay	fp-4.43 (33.57 MHz)	---	-15	---	ns	
	fp-3.5 (34.50 MHz)	---	-35	---	ns	
	fp (38.00 MHz)	---	0	---	ns	Reference
Input Capacitance	Cin1 (1.0 MHz)	---	26.5	---	pF	
Output Capacitance	Cout (1.0 MHz)	---	7.2	---	pF	
Temperature coefficient		---	-72	---	ppm/°C	

**MEASURING CIRCUIT**

Characteristics of Channel 1 (switching pin 2 connected to pin)



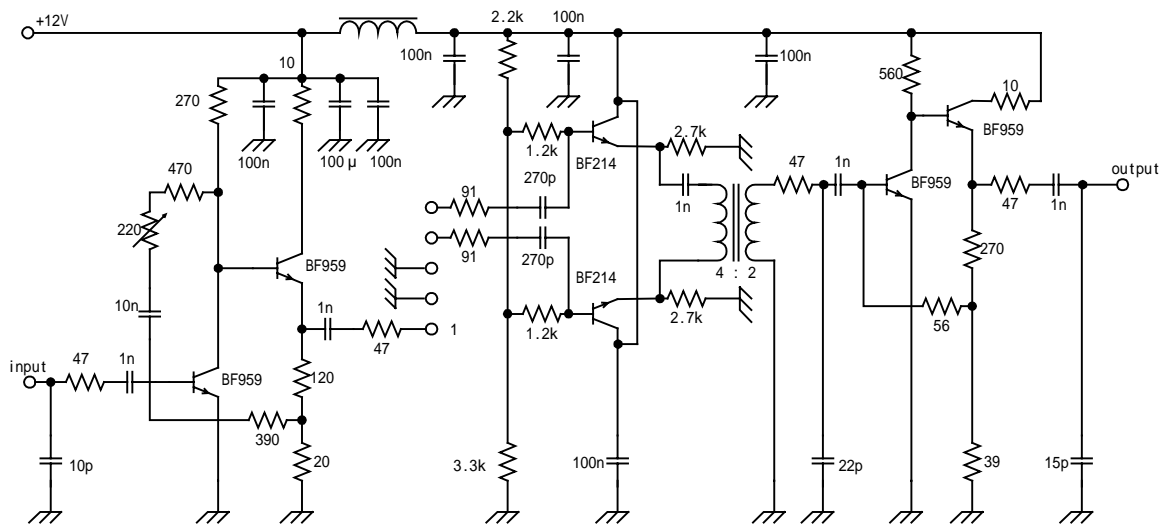
Customer Name	<b>Standard specification</b>	FUJITSU MEDIA DEVICES LIMITED	
Application	IF Filter for TV (PIF+PIF (Switchable))		
Picture Carrier Frequency	38.00MHz	DATE	June 21, 2005
FMD Part Number	FAR-K4SD-38M000-F011	Version	3.1

**Table 1-2 Electrical Specification (Ta=25°C)**

Channel 2 (NTSC M/N)		Pin No.1=INPUT		Pin No.2&3=GROUND		Unit	Remarks
Items	Conditions	Min.	Typ.	Max.			
Insertion Loss	fp-1.5 (36.50 MHz)	15.5	17.0	19.5		dB	
Relative level	fp-6.0 (32.00 MHz)	---	-41	-36		dB	
	fp-4.5 (33.50 MHz)	---	-20	-12		dB	
	fp-3.58 (34.42 MHz)	-5.0	-3.8	-2.6		dB	
	fp-1.5 (36.50 MHz)	---	0	---		dB	Reference
	fp (38.00 MHz)	-6.6	-5.4	-4.2		dB	
	fp+1.5 (39.50 MHz)	---	-48	-36		dB	
	25.00 ~ 32.00 MHz	---	-41	-36		dB	
	39.50 ~ 45.00 MHz	---	-41	-36		dB	
Group delay	fp-3.58 (34.42 MHz)	---	-45	---		ns	
	fp-3.0 (35.00 MHz)	---	-40	---		ns	
	fp (38.00 MHz)	---	0	---		ns	Reference
Input Capacitance	Cin2 (1.0 MHz)	---	13.1	---		pF	
Temperature coefficient		---	-72	---		ppm/°C	

**MEASURING CIRCUIT**

Characteristics of Channel 2 ( 1 switching pin 2 connected to ground )



Customer Name	<b>Standard specification</b>	FUJITSU MEDIA DEVICES LIMITED	
Application	IF Filter for TV (PIF+PIF (Switchable))		
Picture Carrier Frequency	38.00MHz	DATE	June 21, 2005
FMD Part Number	FAR-K4SD-38M000-F011	Version	3.1

● **Dimensions**

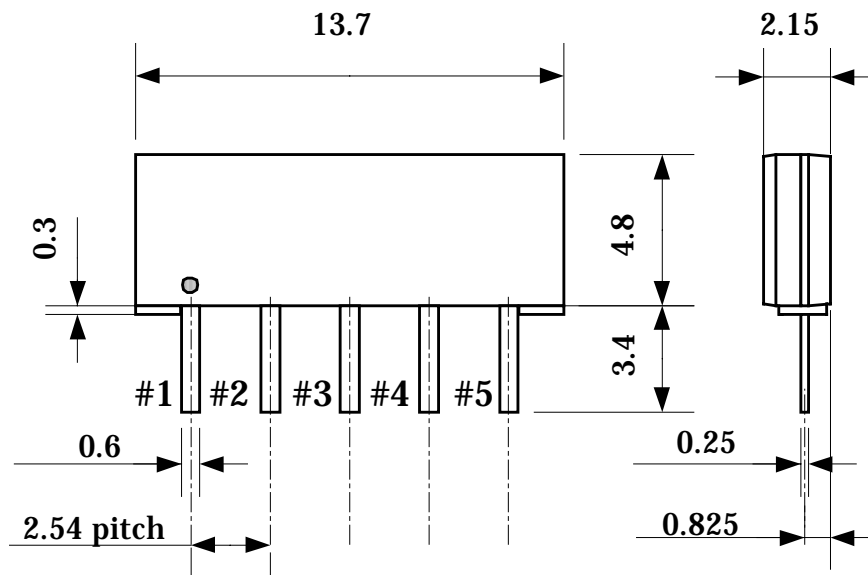


Fig.1

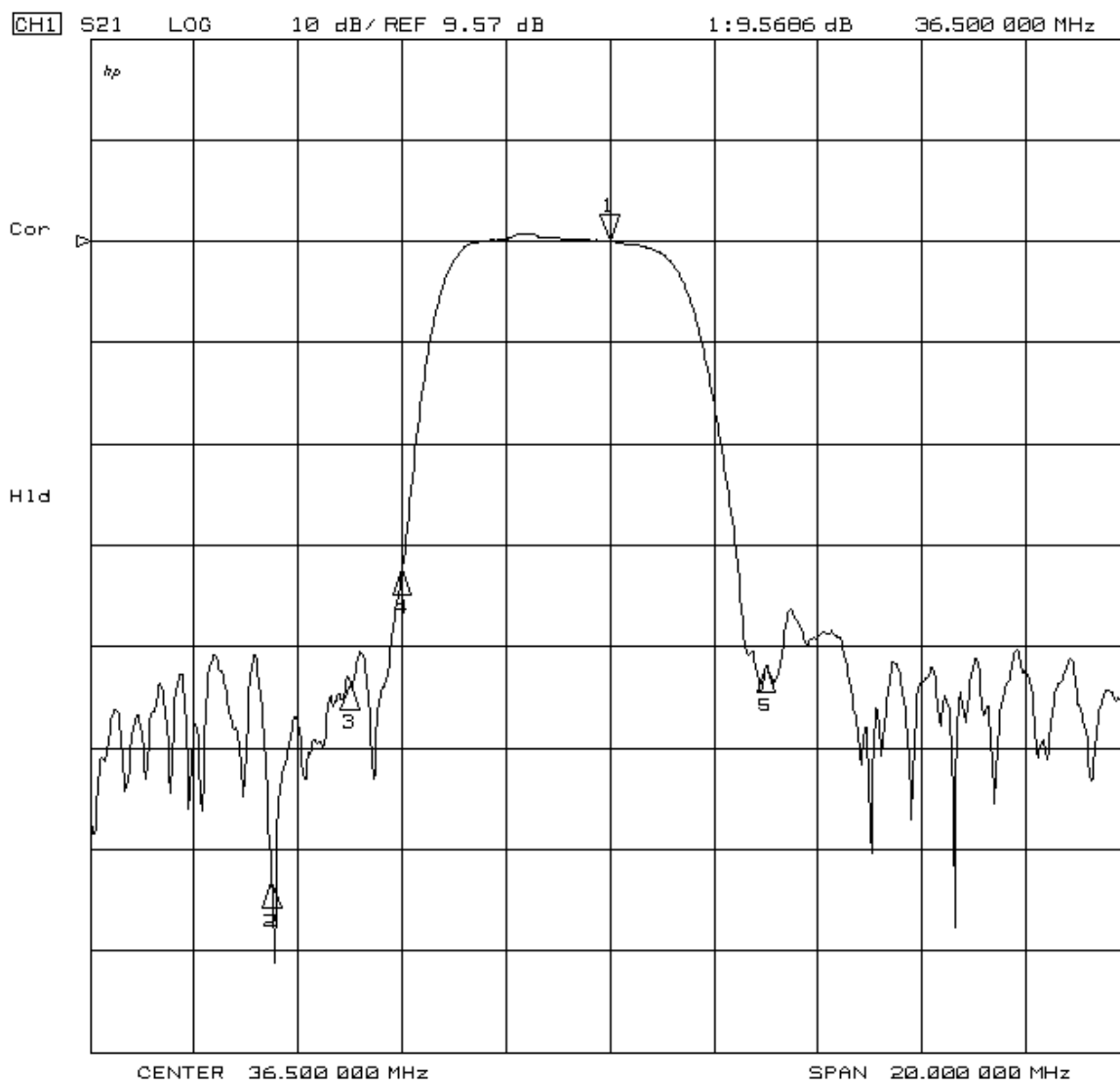
● **Pin Configuration**

Table 2

Pin No.	Symbol	Function
#1	IN	Input
#2	SW	Switching
#3	GND	Ground
#4	OUT	Output
#5	OUT	Output

Customer Name	<b>Standard specification</b>	FUJITSU MEDIA DEVICES LIMITED	
Application	IF Filter for TV (PIF+PIF (Switchable))		
Picture Carrier Frequency	38.00MHz	DATE	June 21, 2005
FMD Part Number	FAR-K4SD-38M000-F011	Version	3.1

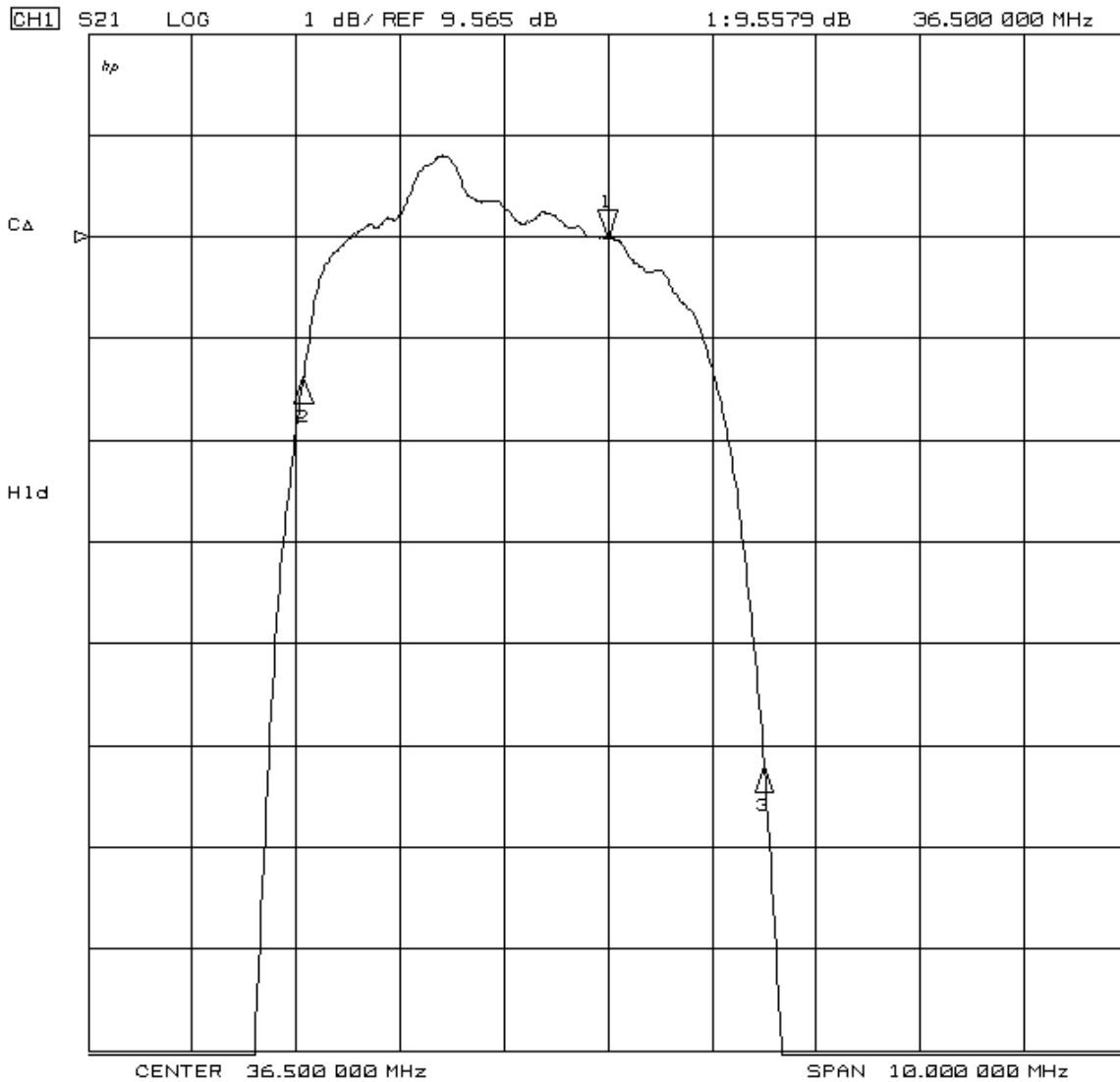
Amplitude Response [Channel1-PAL B/G, D/K] (10dB/div)



- Marker1 : 36.50 MHz
- Marker2 : 30.00 MHz
- Marker3 : 31.50 MHz
- Marker4 : 32.50 MHz
- Marker5 : 39.50 MHz

Customer Name	<b>Standard specification</b>	FUJITSU MEDIA DEVICES LIMITED	
Application	IF Filter for TV (PIF+PIF (Switchable))		
Picture Carrier Frequency	38.00MHz	DATE	June 21, 2005
FMD Part Number	FAR-K4SD-38M000-F011	Version	3.1

Amplitude Response [Channel1-PAL B/G, D/K] (1dB/div)

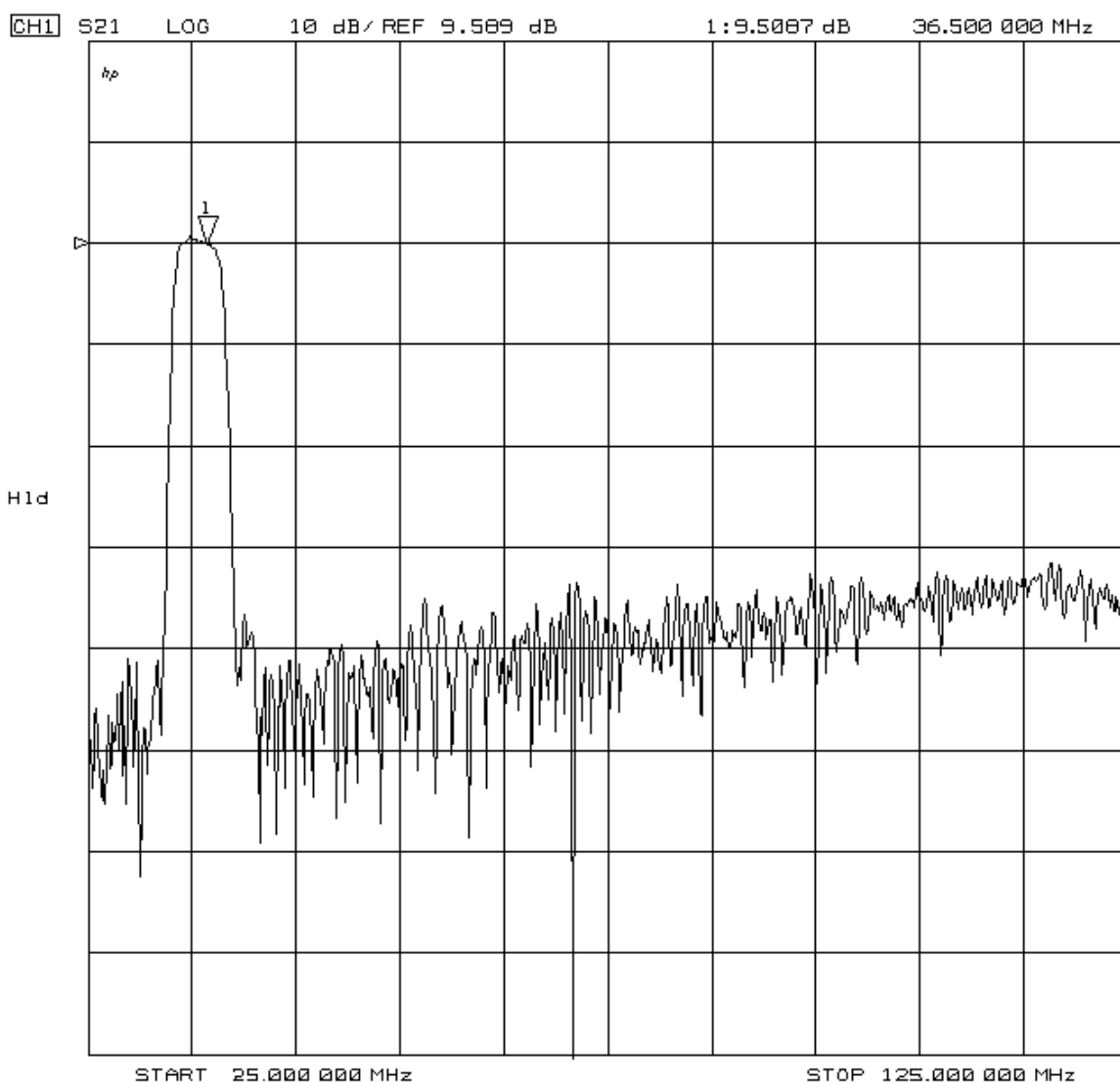


Marker1 : 36.50 MHz  
 Marker2 : 33.57 MHz  
 Marker3 : 38.00 MHz



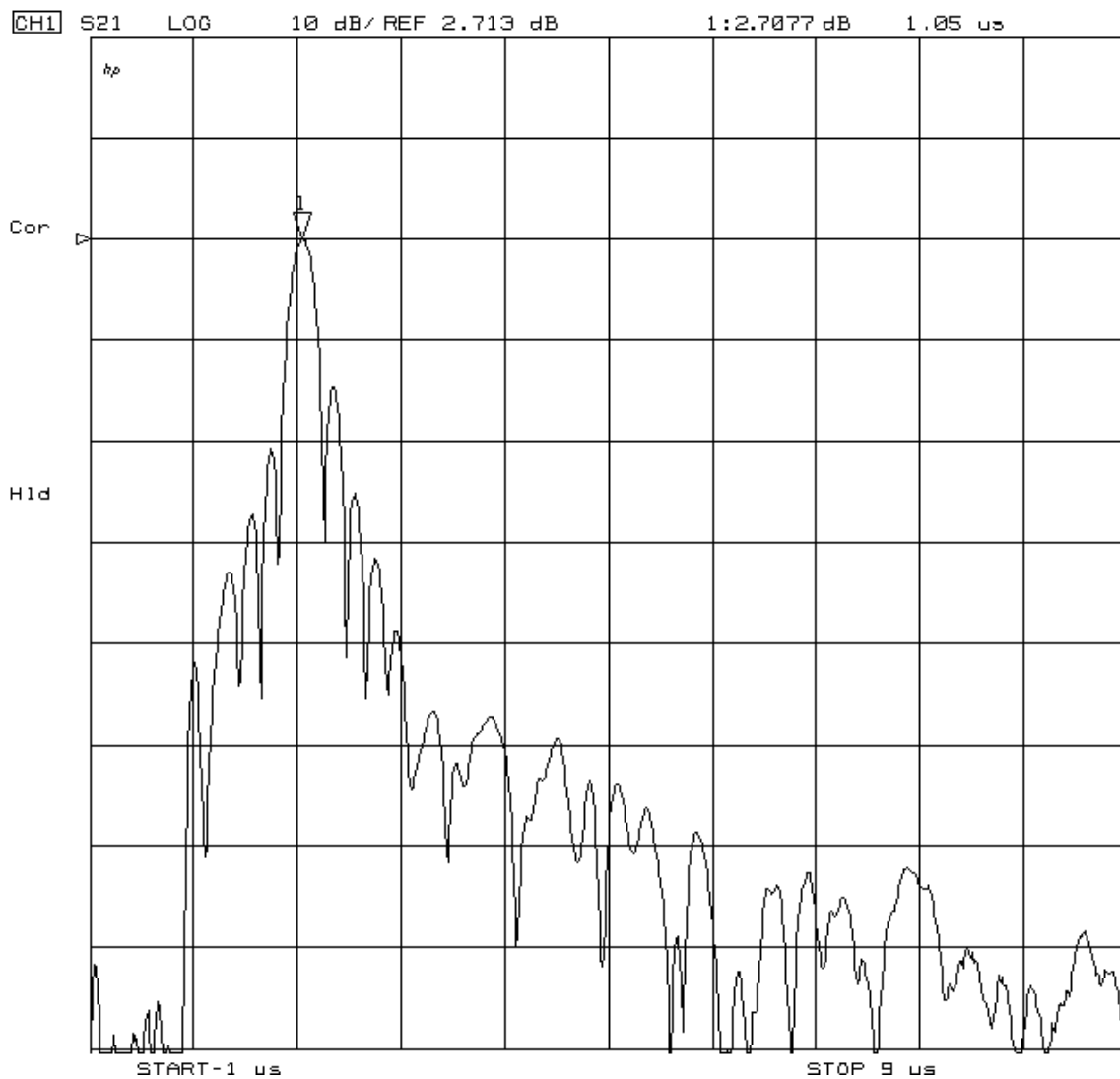
Customer Name	<b>Standard specification</b>	FUJITSU MEDIA DEVICES LIMITED	
Application	IF Filter for TV (PIF+PIF (Switchable))		
Picture Carrier Frequency	38.00MHz	DATE	June 21, 2005
FMD Part Number	FAR-K4SD-38M000-F011	Version	3.1

Amplitude Response [Channel1-PAL B/G, D/K] (10dB/div)  
(25.0MHz ----- 125.0MHz)



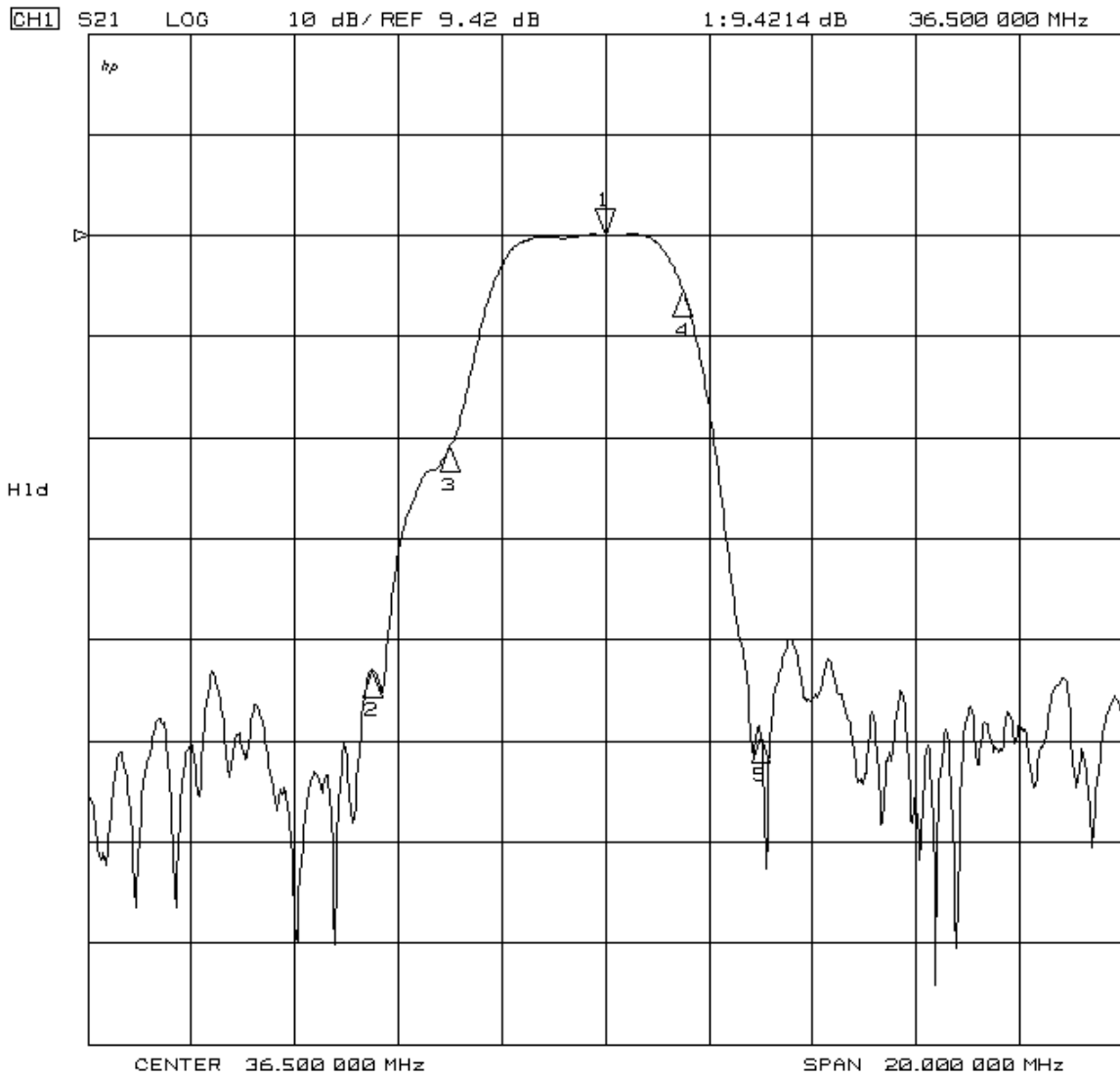
Customer Name	<b>Standard specification</b>	FUJITSU MEDIA DEVICES LIMITED	
Application	IF Filter for TV (PIF+PIF (Switchable))		
Picture Carrier Frequency	38.00MHz	DATE	June 21, 2005
FMD Part Number	FAR-K4SD-38M000-F011	Version	3.1

Time domain Response [Channel1-PAL B/G, D/K] (10dB/div)



Customer Name	<b>Standard specification</b>	FUJITSU MEDIA DEVICES LIMITED	
Application	IF Filter for TV (PIF+PIF (Switchable))		
Picture Carrier Frequency	38.00MHz	DATE	June 21, 2005
FMD Part Number	FAR-K4SD-38M000-F011	Version	3.1

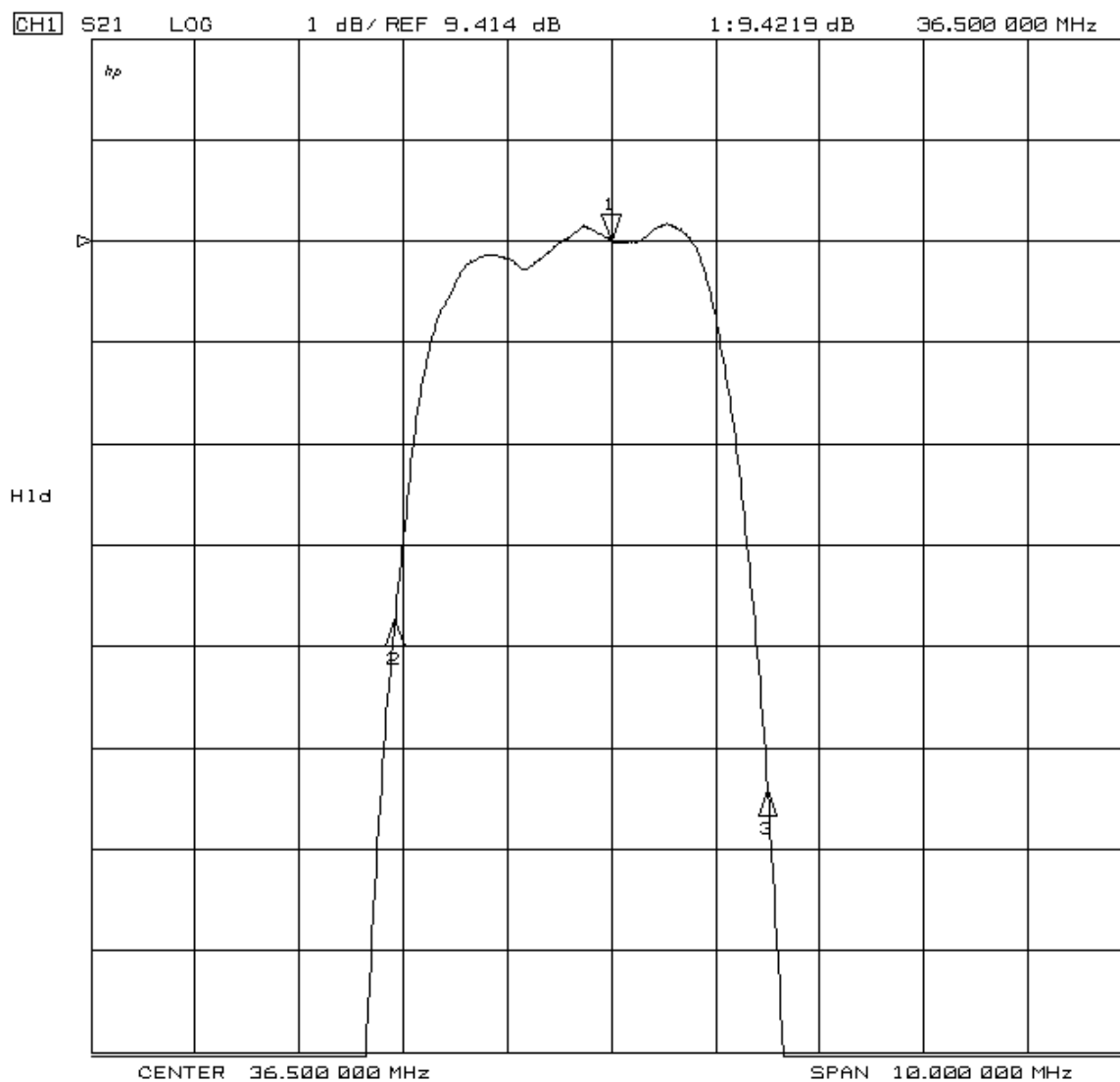
Amplitude Response [Channel2-NTSC M/N] (10dB/div)



- Marker1 : 36.50 MHz
- Marker2 : 32.00 MHz
- Marker3 : 33.50 MHz
- Marker4 : 38.00 MHz
- Marker5 : 39.50 MHz

Customer Name	<b>Standard specification</b>	FUJITSU MEDIA DEVICES LIMITED	
Application	IF Filter for TV (PIF+PIF (Switchable))		
Picture Carrier Frequency	38.00MHz	DATE	June 21, 2005
FMD Part Number	FAR-K4SD-38M000-F011	Version	3.1

Amplitude Response [Channel2-NTSC M/N] (1dB/div)



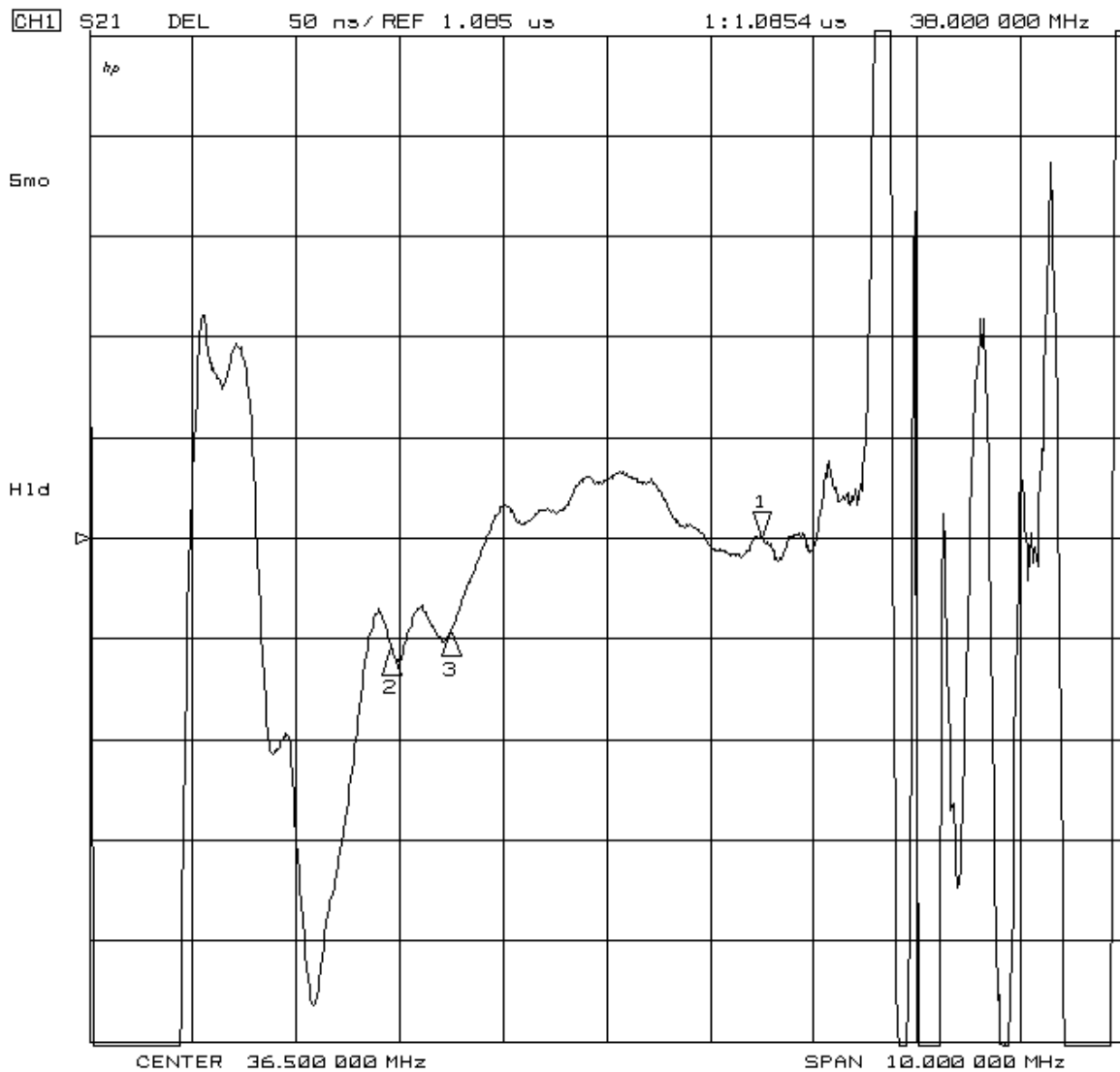
Marker1 : 36.50 MHz

Marker2 : 34.42 MHz

Marker3 : 38.00 MHz

Customer Name	<b>Standard specification</b>	FUJITSU MEDIA DEVICES LIMITED	
Application	IF Filter for TV (PIF+PIF (Switchable))		
Picture Carrier Frequency	38.00MHz	DATE	June 21, 2005
FMD Part Number	FAR-K4SD-38M000-F011	Version	3.1

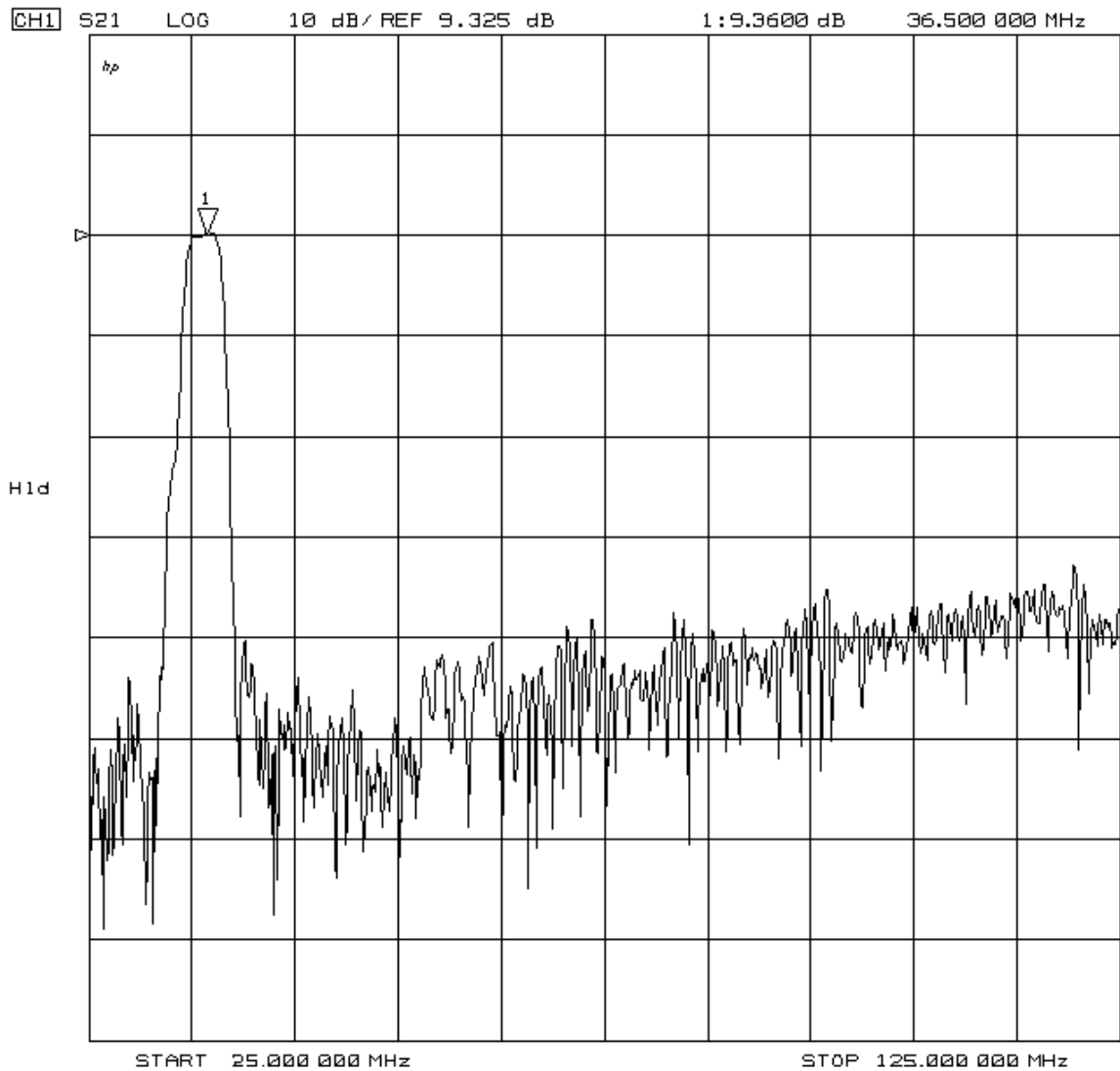
Group Delay [Channel2-NTSC M/N] (50ns/div)  
Delay Aper. = 200kHz



**Marker1 : 38.00 MHz**  
**Marker2 : 34.42 MHz**  
**Marker3 : 35.00 MHz**

Customer Name	<b>Standard specification</b>	FUJITSU MEDIA DEVICES LIMITED	
Application	IF Filter for TV (PIF+PIF (Switchable))		
Picture Carrier Frequency	38.00MHz	DATE	June 21, 2005
FMD Part Number	FAR-K4SD-38M000-F011	Version	3.1

Amplitude Response [Channel2-NTSC M/N] (10dB/div)  
(25.0MHz ----- 125.0MHz)



Customer Name	<b>Standard specification</b>	FUJITSU MEDIA DEVICES LIMITED	
Application	IF Filter for TV (PIF+PIF (Switchable))		
Picture Carrier Frequency	38.00MHz	DATE	June 21, 2005
FMD Part Number	FAR-K4SD-38M000-F011	Version	3.1

Time domain Response [Channel2-NTSC M/N] (10dB/div)

