

Customer Name	<b>Standard specification</b>	FUJITSU MEDIA DEVICES LIMITED	
Application	IF Filter for TV(PIF+PIF(Switchable))		
System	B/G,D/K, M/N		
Picture Carrier Frequency	38.0 MHz	DATE	Jun. 27 2003
FMD Part Number	FAR-K4SD-38M000-F002	Version 1.1	

**Table 1-1 Electrical Specification (Ta=25°C)**

Channel 1 (NTSC M/N)		Pin No.1&2=INPUT			Pin No.3=GROUND	
Items	Conditions	Specification			Unit	Remarks
		Min.	Typ.	Max.		
Insertion Loss	fp-1.5 (36.50 MHz)	-	16.8	-	dB	
Relative level	fp-6.0 (32.00 MHz)	-	-49	-	dB	
	fp-4.5 (33.50 MHz)	-	-28	-	dB	
	fp-3.58 (34.42 MHz)	-	-1.5	-	dB	
	fp-1.5 (36.50 MHz)	-	0	-	dB	Reference
	fp (38.00 MHz)	-	-6.4	-	dB	
	fp+1.5 (39.50 MHz)	-	-51	-	dB	
	25.00 ~ 32.00 MHz	-	-43	-	dB	
	39.50 ~ 45.00 MHz	-	-42	-	dB	
	Group delay	fp-3.58 (34.42 MHz)	-	80	-	ns
fp-3.0 (35.00 MHz)		-	50	-	ns	
fp (38.00 MHz)		-	0	-	ns	Reference
Input Capacitance	Cin1 (1.0 MHz)	-	17.5	-	pF	
Output Capacitance	Cout (1.0 MHz)	-	6.9	-	pF	
Temperature coefficient		-	-72	-	ppm/°C	

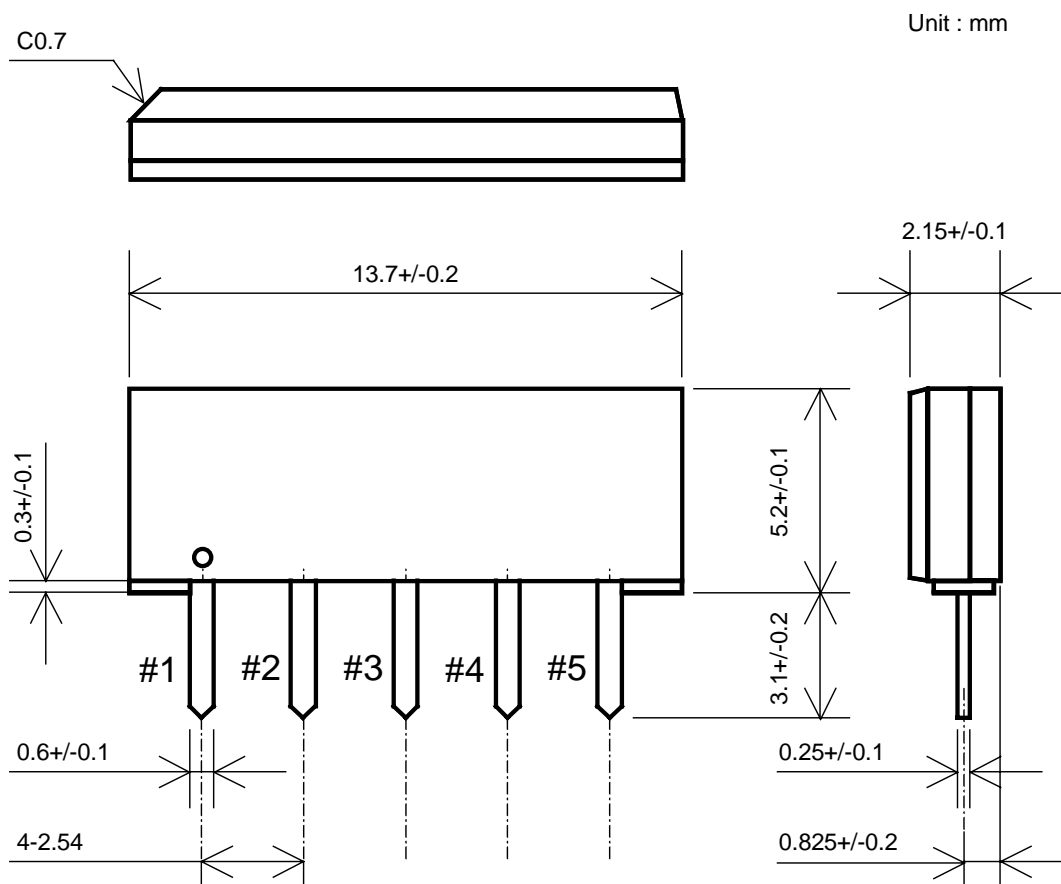
Customer Name	<b>Standard specification</b>	FUJITSU MEDIA DEVICES LIMITED	
Application	IF Filter for TV(PIF+PIF(Switchable))		
System	B/G,D/K, M/N		
Picture Carrier Frequency	38.0 MHz	DATE	Jun. 27 2003
FMD Part Number	FAR-K4SD-38M000-F002	Version 1.1	

**Table 1-2 Electrical Specification (Ta=25°C)**

Channel 2 (PAL B/G,D/K)		Pin No.1=INPUT Pin No.2&3=GROUND			Unit	Remarks
Items	Conditions	Specification				
		Min.	Typ.	Max.		
Insertion Loss	fp-1.5 (36.50 MHz)	-	16.4	-	dB	
Relative level	fp-8.0 (30.00 MHz)	-	-52	-	dB	
	fp-7.0 (31.00 MHz)	-	-58	-	dB	
	fp-6.5 (31.50 MHz)	-	-51	-	dB	
	fp-6.0 (32.00 MHz)	-	-44	-	dB	
	fp-5.5 (32.50 MHz)	-	-31	-	dB	
	fp-5.45 (32.55 MHz)	-	-32	-	dB	
	fp-4.43 (33.57 MHz)	-	-1.1	-	dB	
	fp-1.5 (36.50 MHz)	-	0	-	dB	Reference
	fp (38.00 MHz)	-	-6.3	-	dB	
	fp+1.5 (39.50 MHz)	-	-49	-	dB	
	fp+2.0 (40.00 MHz)	-	-49	-	dB	
	fp+2.5 (40.50 MHz)	-	-48	-	dB	
	25.00 ~ 30.00 MHz	-	-44	-	dB	
	39.50 ~ 45.00 MHz	-	-41	-	dB	
	Group delay	fp-4.43 (33.57 MHz)	-	100	-	ns
fp-2.0 (36.00 MHz)		-	-30	-	ns	
fp (38.00 MHz)		-	0	-	ns	Reference
Input Capacitance	Cin2 (1.0 MHz)	-	25.7	-	pF	
Temperature coefficient		-	-72	-	ppm/°C	

Customer Name	<b>Standard specification</b>	FUJITSU MEDIA DEVICES LIMITED	
Application	IF Filter for TV(PIF+PIF(Switchable))		
System	B/G,D/K, M/N		
Picture Carrier Frequency	38.0 MHz	DATE	Jun. 27 2003
FMD Part Number	FAR-K4SD-38M000-F002	Version 1.1	

● **Dimensions**



**Fig.1**

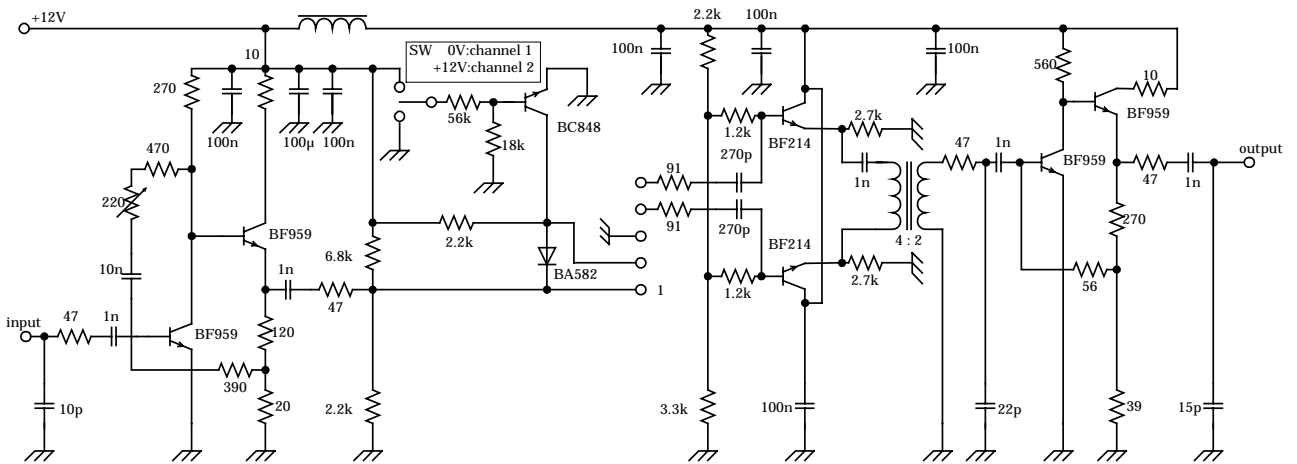
● **Pin Configuration**

**Table 2**

Pin No.	Symbol	Function
#1	IN	Input
#2	SW	Switching
#3	GND	Ground
#4	OUT	Output
#5	OUT	Output

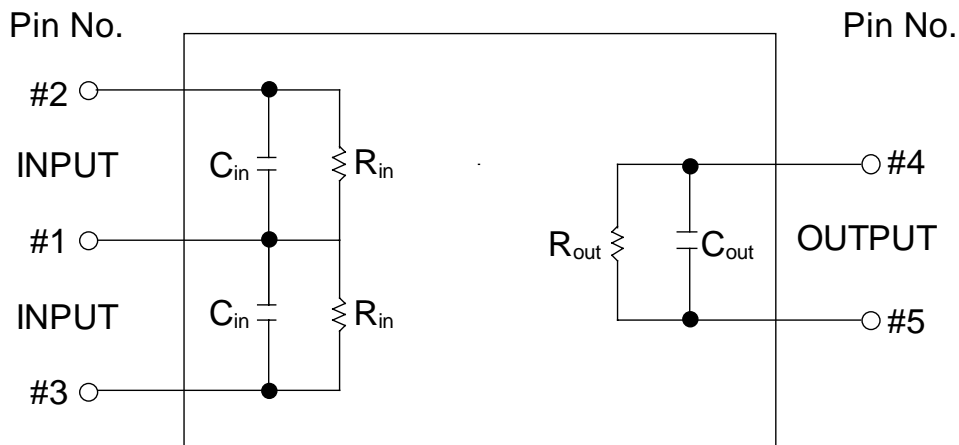
Customer Name	<b>Standard specification</b>	FUJITSU MEDIA DEVICES LIMITED	
Application	IF Filter for TV(PIF+PIF(Switchable))		
System	B/G,D/K, M/N		
Picture Carrier Frequency	38.0 MHz	DATE	Jun. 27 2003
FMD Part Number	FAR-K4SD-38M000-F002	Version 1.1	

● **Evaluation Circuit**



**Fig.2 Evaluation circuit**

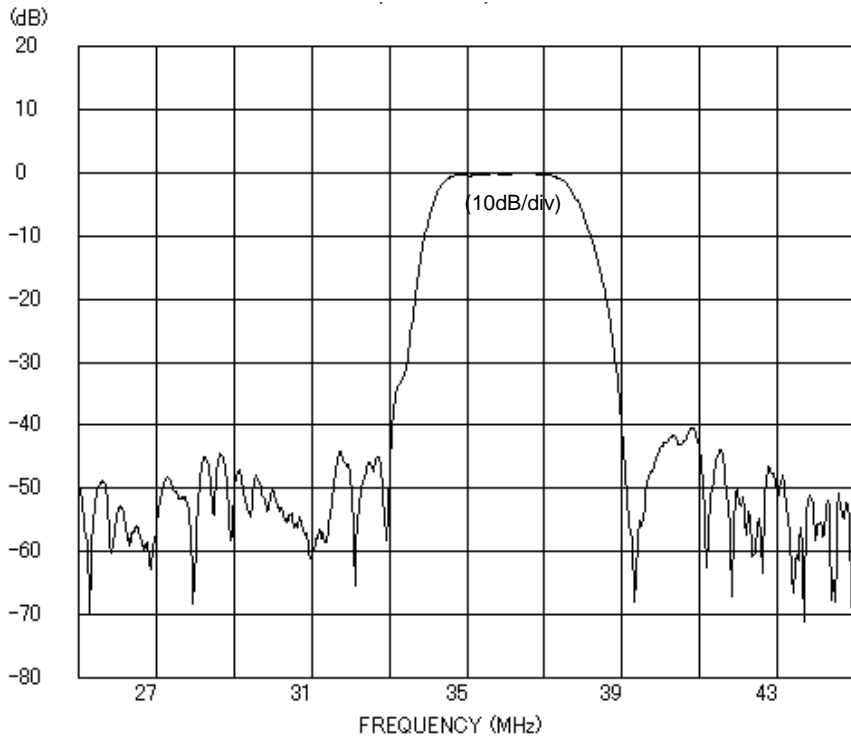
● **Equivalent Circuit**



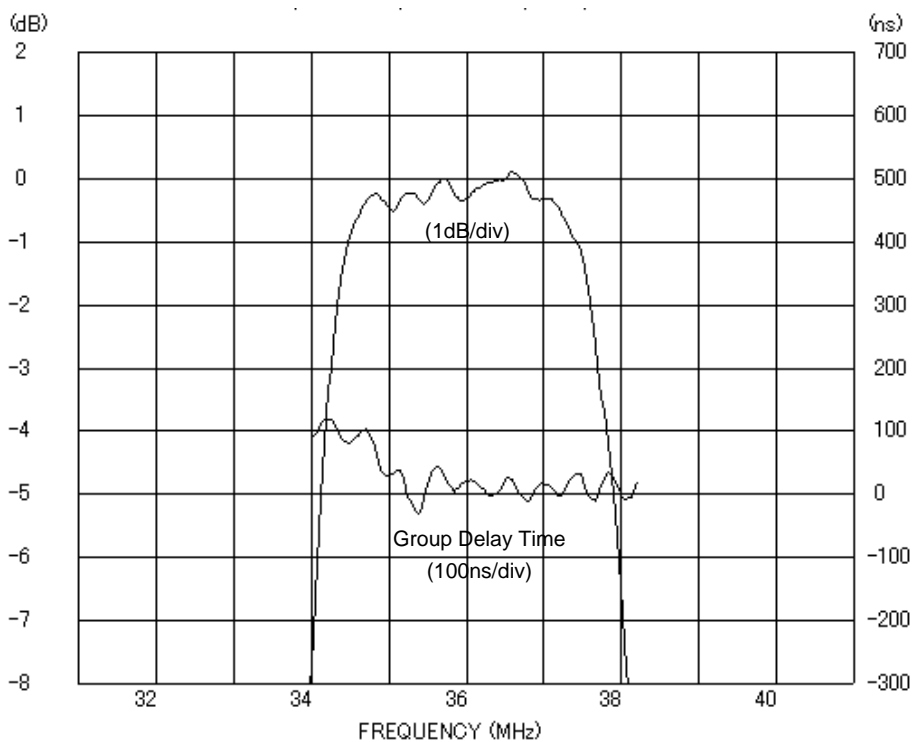
**Fig.3 Equivalent circuit**

Customer Name	<b>Standard specification</b>	FUJITSU MEDIA DEVICES LIMITED	
Application	IF Filter for TV(PIF+PIF(Switchable))		
System	B/G,D/K, M/N		
Picture Carrier Frequency	38.0 MHz	DATE	Jun. 27 2003
FMD Part Number	FAR-K4SD-38M000-F002	Version 1.1	

Channel 1 (M/N)



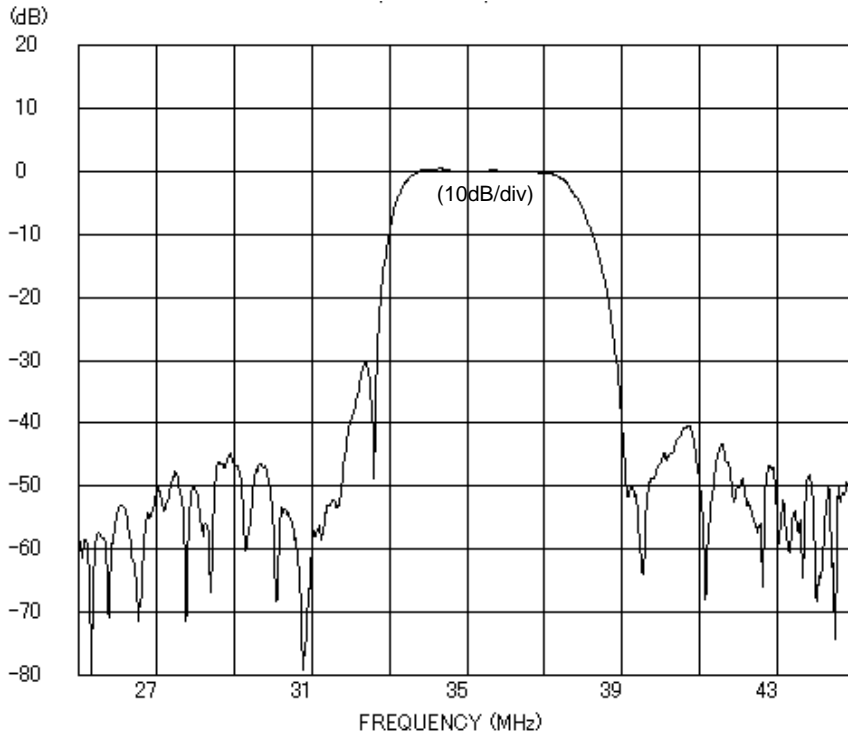
**Frequency Characteristics**



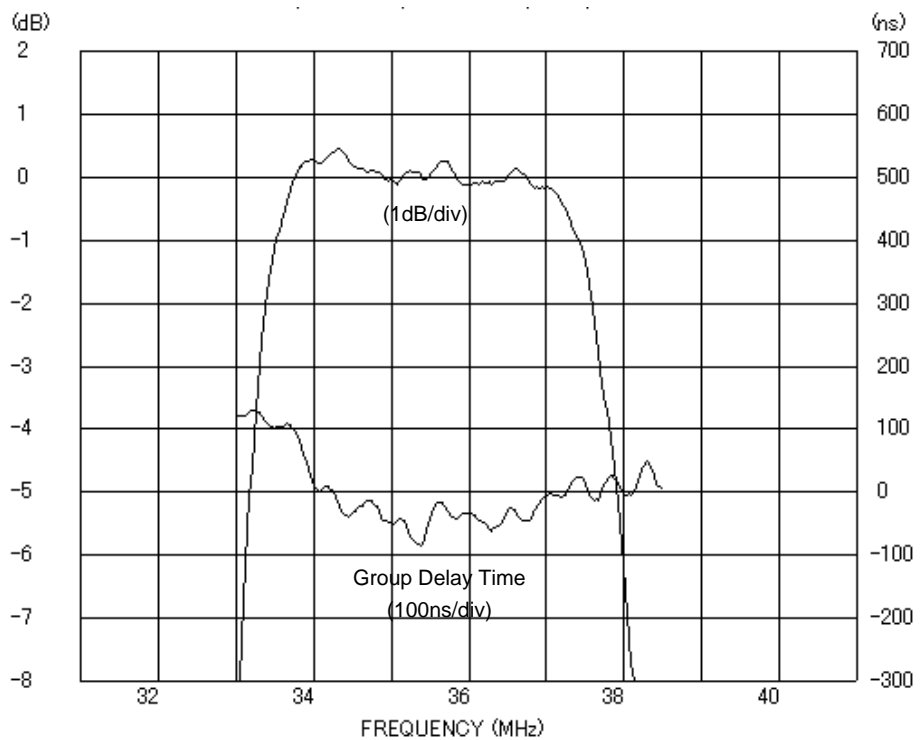
**In-band Characteristics**

Customer Name	<b>Standard specification</b>	FUJITSU MEDIA DEVICES LIMITED	
Application	IF Filter for TV(PIF+PIF(Switchable))		
System	B/G,D/K, M/N		
Picture Carrier Frequency	38.0 MHz	DATE	Jun. 27 2003
FMD Part Number	FAR-K4SD-38M000-F002	Version 1.1	

Channel 2 (B/G,D/K)



**Frequency Characteristics**



**In-band Characteristics**