

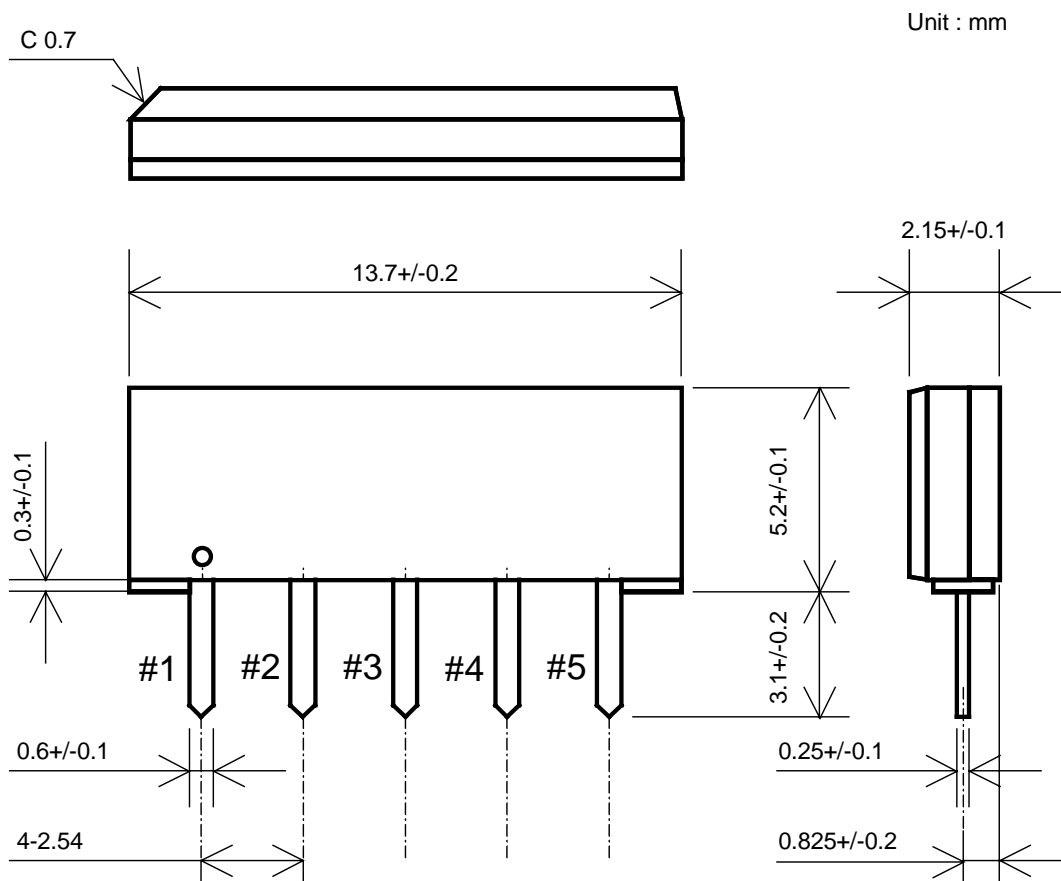
Customer Name	<b>Standard specification</b>	FUJITSU MEDIA DEVICES LIMITED	
Application	IF Filter for TV(PIF)		
System	M/N		
Picture Carrier Frequency	58.75 MHz	DATE	Sep. 16 2003
FMD Part Number	FAR-F4SA-58M750-A008	Version 1.0	

**Table 1 Electrical Specification (Ta=25°C)**

Items	Conditions	Specification			Unit	Remarks
		Min.	Typ.	Max.		
Insertion Loss	fp (58.75 MHz)	29.0	30.5	32.0	dB	
Relative level	fp-6.0 (52.75 MHz)	-	-47	-38	dB	
	fp-4.5 (54.25 MHz)	-	-20	-17	dB	
	fp-4.08 (54.67 MHz)	-9.3	-7.3	-6.3	dB	
	fp-3.58 (55.17 MHz)	4.4	5.9	6.9	dB	
	fp-3.08 (55.67 MHz)	-0.5	0.5	1.5	dB	
	fp-1.75 (57.00 MHz)	5.2	6.2	7.2	dB	
	fp (58.75 MHz)	-	0	-	dB	Reference
	fp+1.5 (60.25 MHz)	-	-48	-41	dB	
	46.75 ~ 52.75 MHz	-	-37	-30	dB	
	60.25 ~ 66.25 MHz	-	-40	-30	dB	
Amplitude ripple	55.17 ~ 58.75 MHz	-	0.2	0.6	dB	
Group delay	fp-4.0 (54.75 MHz)	-	-130	-	ns	
	fp-3.58 (55.17 MHz)	-	-30	-	ns	
	fp-2.0 (56.75 MHz)	-	-10	-	ns	
	fp (58.75 MHz)	-	0	-	ns	Reference
Group delay ripple	55.17 ~ 58.75 MHz	-	30	80	ns	
Input Capacitance	Cin (1.0 MHz)	-	24.4	-	pF	
Output Capacitance	Cout (1.0 MHz)	-	12.1	-	pF	
Temperature coefficient		-	-18	-	ppm/°C	

Customer Name	<b>Standard specification</b>	FUJITSU MEDIA DEVICES LIMITED	
Application	IF Filter for TV(PIF)		
System	M/N		
Picture Carrier Frequency	58.75 MHz	DATE	Sep. 16 2003
FMD Part Number	FAR-F4SA-58M750-A008	Version 1.0	

● **Dimensions**



**Fig.1**

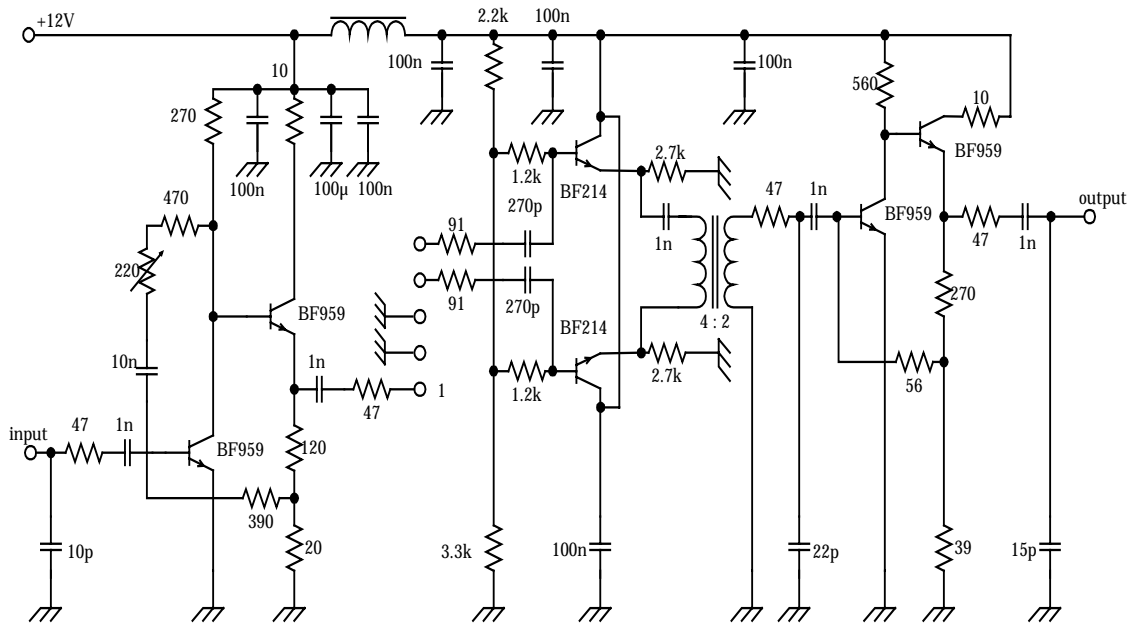
● **Pin Configuration**

**Table 2**

Pin No.	Symbol	Function
#1	IN	Input
#2	IN(GND)	Input(Ground)
#3	GND	Ground
#4	OUT	Output
#5	OUT	Output

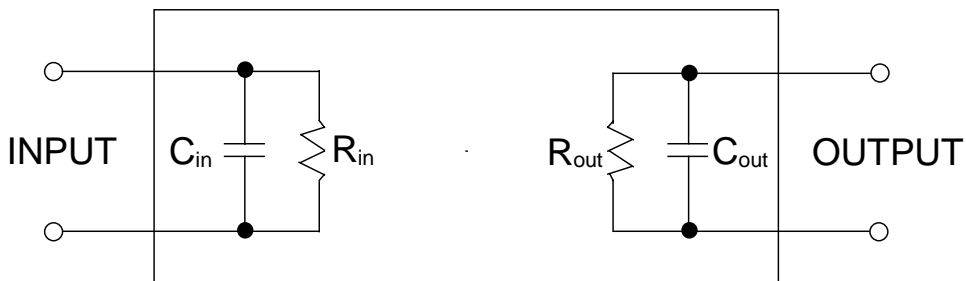
Customer Name	<b>Standard specification</b>		FUJITSU MEDIA DEVICES LIMITED	
Application	IF Filter for TV(PIF)			
System	M/N			
Picture Carrier Frequency	58.75 MHz	DATE	Sep. 16 2003	
FMD Part Number	FAR-F4SA-58M750-A008	Version 1.0		

● **Evaluation Circuit**



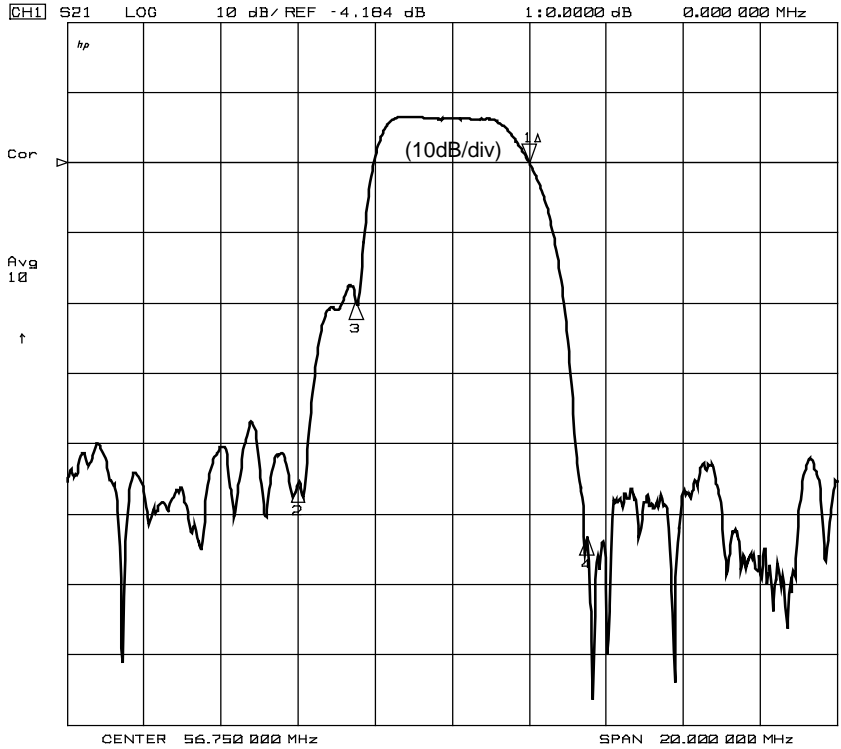
**Fig.2 Evaluation circuit**

● **Equivalent Circuit**

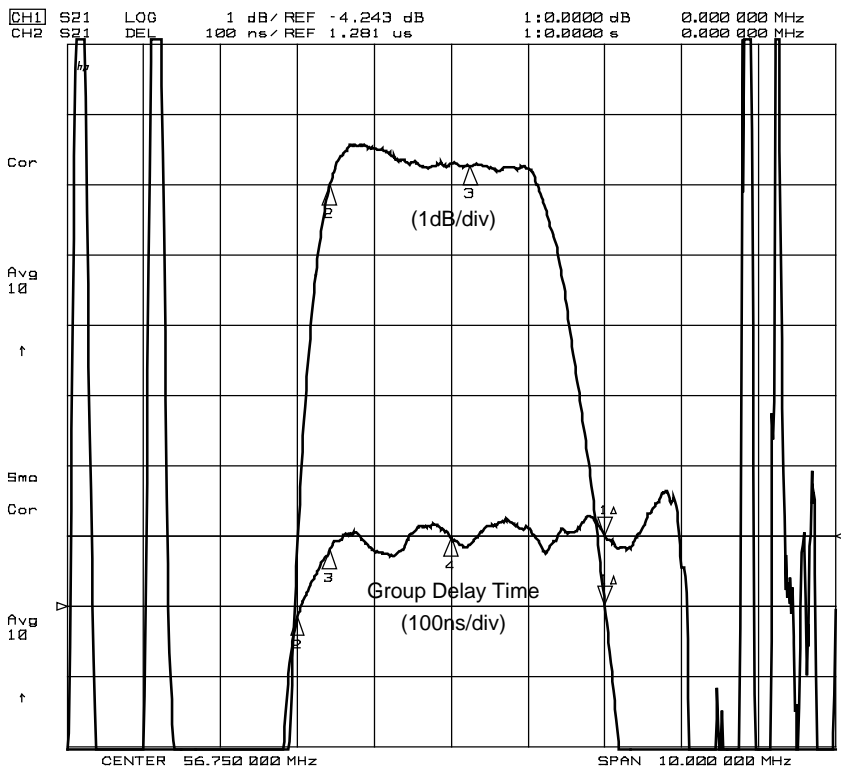


**Fig.3 Equivalent circuit**

Customer Name	Standard specification		FUJITSU MEDIA DEVICES LIMITED	
Application	IF Filter for TV(PIF)			
System	M/N			
Picture Carrier Frequency	58.75 MHz	DATE	Sep. 16 2003	
FMD Part Number	FAR-F4SA-58M750-A008	Version 1.0		



### Frequency Characteristics



### In-band Characteristics