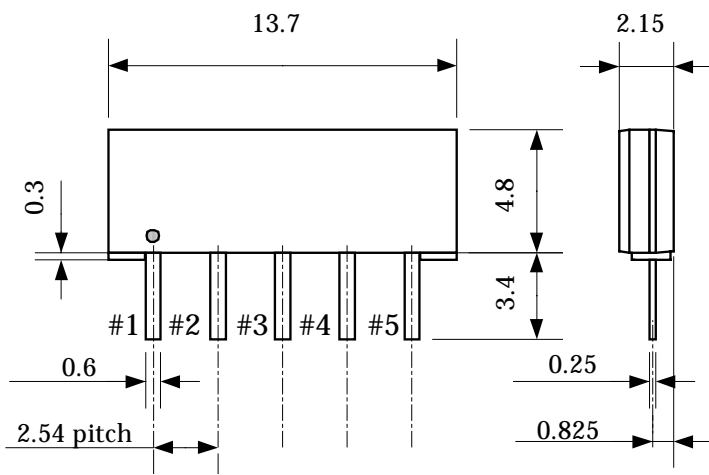


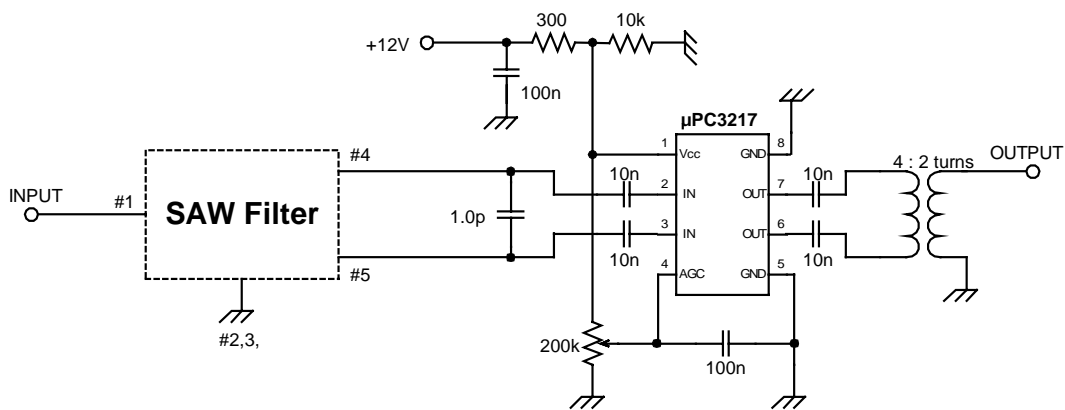
Customer Name	Standard specification	FUJITSU MEDIA DEVICES LIMITED	
Application	IF Filter for TV SIF)		
System	M/N		
Picture Carrier Frequency	58.75MHz	DATE	June 21, 2005
FMD Part Number	FAR-F4SA-54M250-B011	Version	1.1

1. Pin assignment of plastics Package



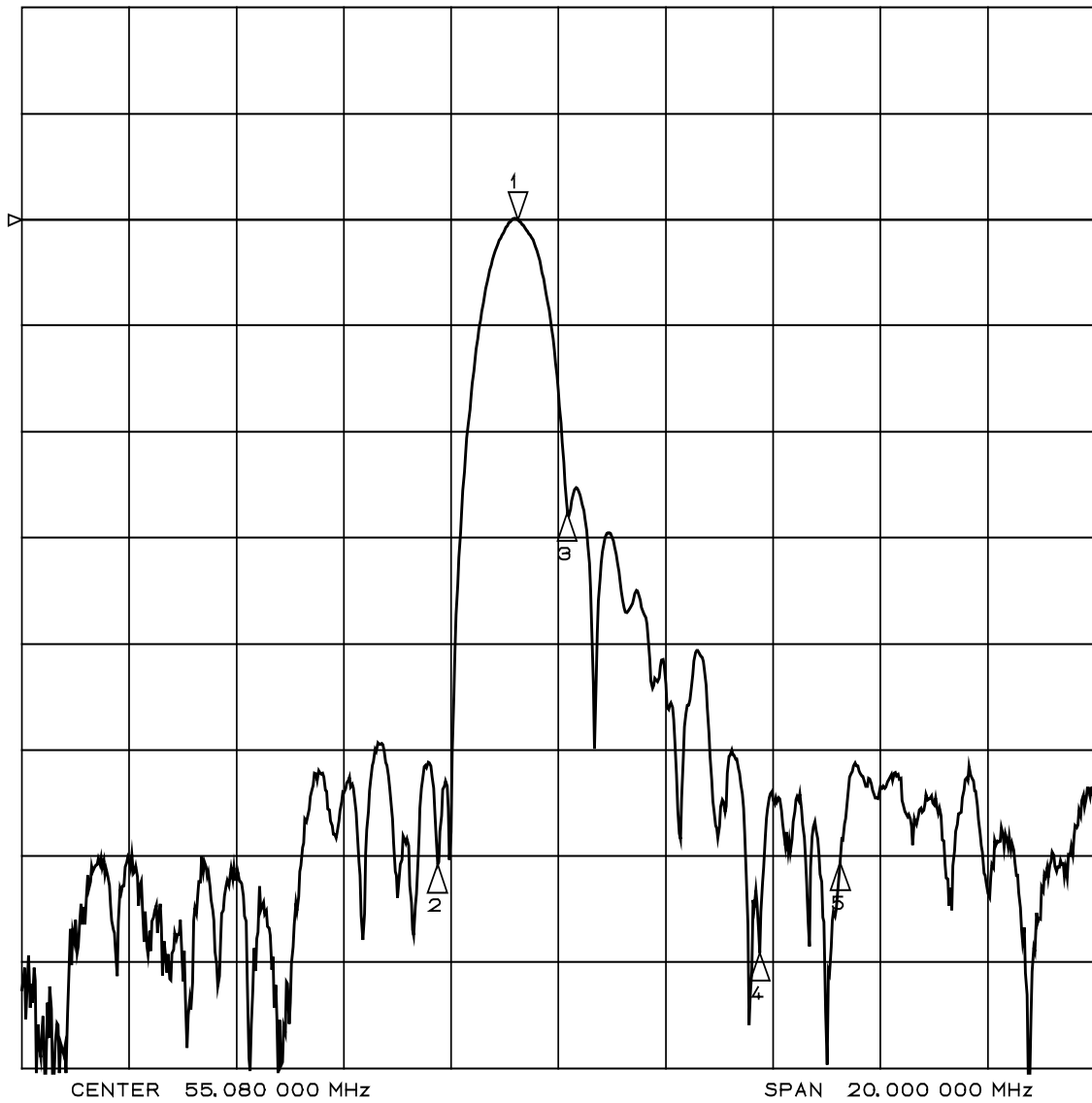
Pin No.	Pin name	Description
1	IN	input pin
2	IN	input pin (Ground)
3	GND	Ground pin
4	OUT	output pin
5	OUT	output pin

2. Measurement circuit



Customer Name	Standard specification	FUJITSU MEDIA DEVICES LIMITED	
Application	IF Filter for TV SIF)		
System	M/N		
Picture Carrier Frequency	58.75MHz	DATE	June 21, 2005
FMD Part Number	FAR-F4SA-54M250-B011	Version	1.1

Amplitude Response (10dB/div)



Marker1 : 54.33 MHz
 Marker2 : 52.83 MHz
 Marker3 : 55.25 MHz
 Marker4 : 58.83 MHz
 Marker5 : 60.33 MHz

Customer Name	Standard specification	FUJITSU MEDIA DEVICES LIMITED	
Application	IF Filter for TV SIF)		
System	M/N		
Picture Carrier Frequency	58.75MHz	DATE	June 21, 2005
FMD Part Number	FAR-F4SA-54M250-B011	Version	1.1

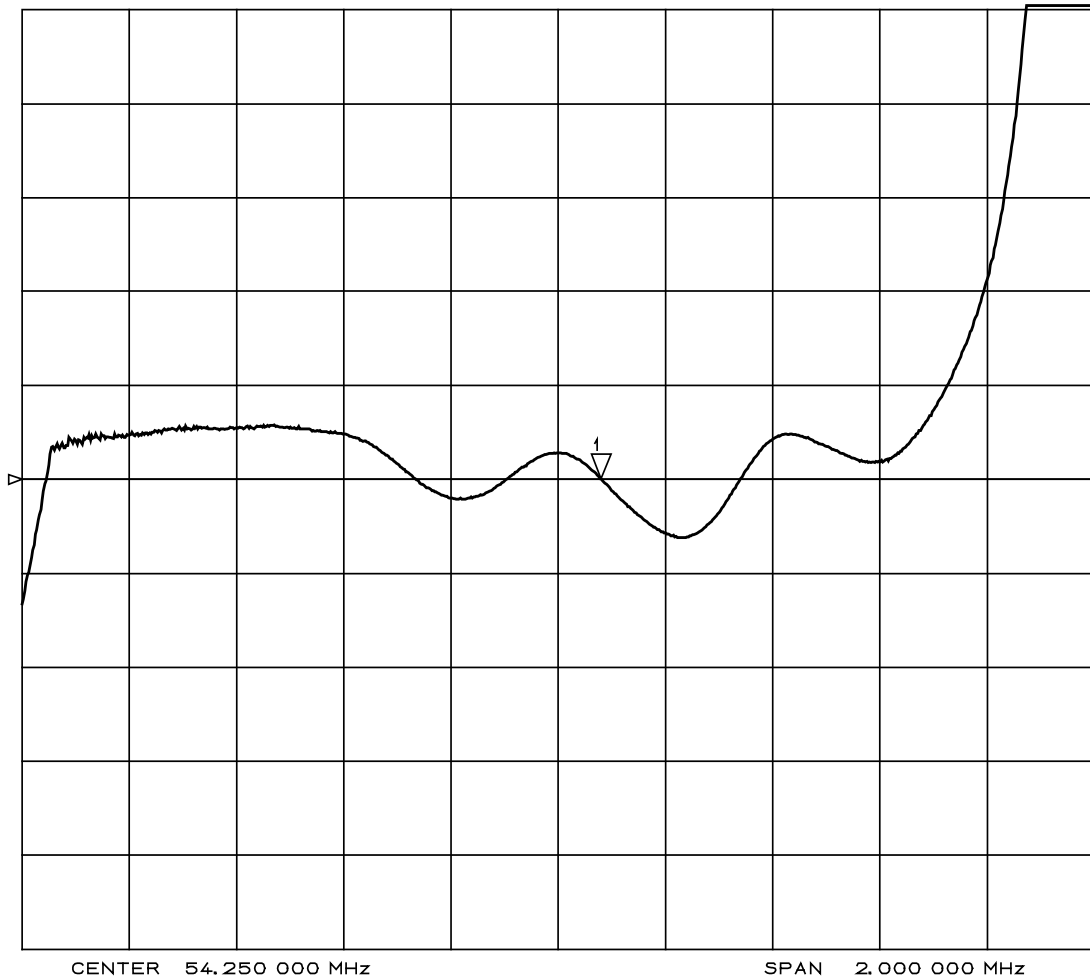
Amplitude Response (1dB/div)



Marker1 : 54.33 MHz

Customer Name	Standard specification	FUJITSU MEDIA DEVICES LIMITED	
Application	IF Filter for TV SIF)		
System	M/N		
Picture Carrier Frequency	58.75MHz	DATE	June 21, 2005
FMD Part Number	FAR-F4SA-54M250-B011	Version	1.1

Group Delay (100ns/div)
Delay Aper.=200kHz



Marker1 : 54.33 MHz