

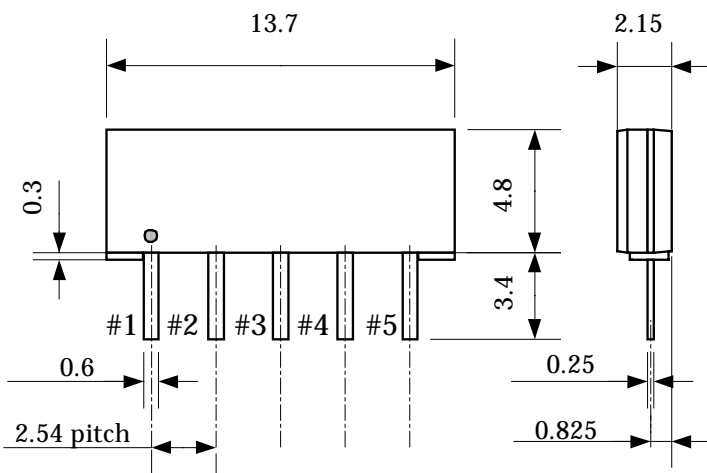
Customer Name	Standard specification	FUJITSU MEDIA DEVICES LIMITED	
Application	IF Filter for TV (PIF)		
System	M/N		
Picture Carrier Frequency	45.75 MHz	DATE	June 21, 2005
FMD Part Number	FAR-F4SA-45M750-A024	Version	3.1

Table 1 Proposal Specification (Ta=25°C(40°C))

Items	Conditions	Specification			Unit	Remarks	
		Min.	Typ.	Max.			
Insertion Loss	44.05(44.00) MHz	9.3	10.8	12.3	dB		
Relative level	39.80(39.75) MHz	-	-66	-48	dB		
	40.30(40.25) MHz	-	-63	-45	dB		
	41.30(41.25) MHz	-	-27	-22	dB		
	41.72(41.67) MHz	-	-9.6	-	dB		
	41.97(41.92) MHz	- 5.1	- 4.1	- 3.1	dB		
	42.22(42.17) MHz	-2.3	-1.3	-0.3	dB		
	44.05(44.00) MHz	-	0	-	dB	Reference	
	45.80(45.75) MHz	-7.0	-6.0	-5.0	dB		
	46.55(46.50) MHz	-	-23	-	dB		
	47.30(47.25) MHz	-	-57	-46	dB		
	35.05 ~ 39.80 MHz (35.00 ~ 39.75)MHz	-	-46	-40	dB		
	47.30 ~ 55.05 MHz (47.25 ~ 55.00)MHz	-	-46	-40	dB		
	Group delay	41.72(41.67) MHz	-	-142	-	ns	
		42.22(42.17) MHz	-	34	-	ns	
45.80(45.75) MHz		-	0	-	ns	Reference	
Input Impedance	44.05 MHz	-	1.3//13.9	-	kΩ//pF		
Output Impedance	44.05 MHz	-	0.9//4.7	-	kΩ//pF		
Temperature coefficient		-	-72	-	ppm/°C		

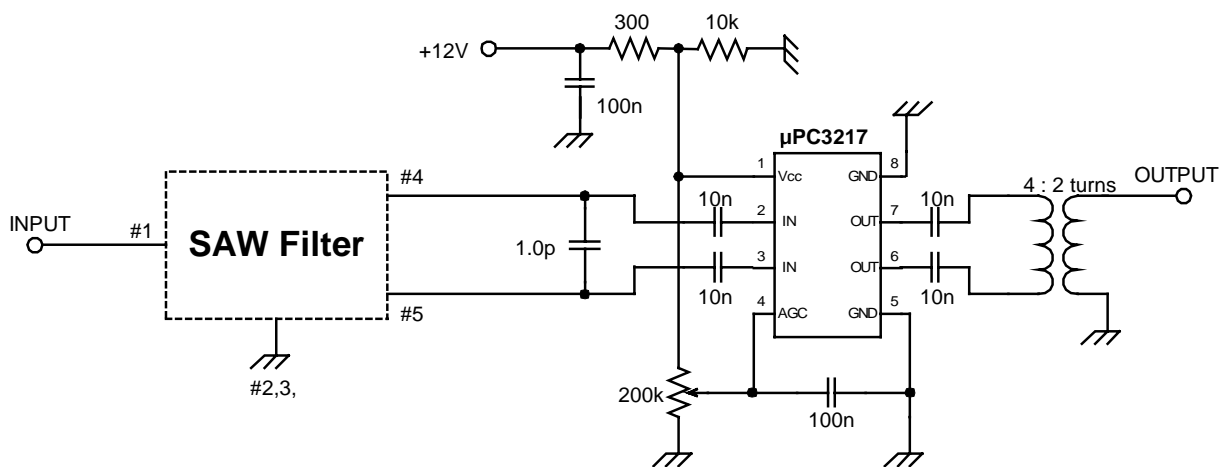
Customer Name	Standard specification	FUJITSU MEDIA DEVICES LIMITED	
Application	IF Filter for TV (PIF)		
System	M/N		
Picture Carrier Frequency	45.75 MHz	DATE	June 21, 2005
FMD Part Number	FAR-F4SA-45M750-A024	Version	3.1

1. Pin assignment of plastics Package



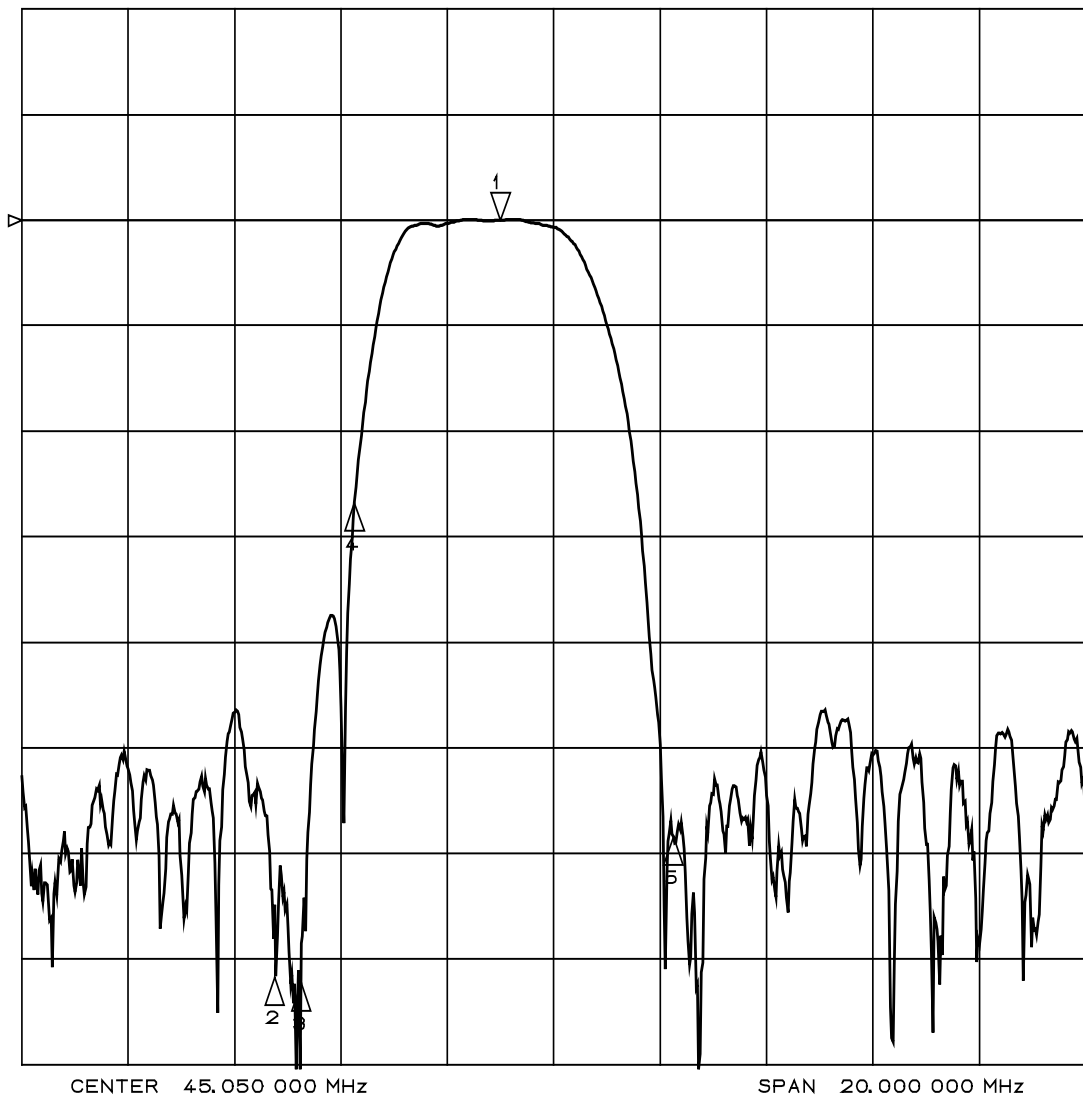
Pin No.	Pin name	Description
1	IN	input pin
2	IN	input pin (Ground)
3	GND	Ground pin
4	OUT	output pin
5	OUT	output pin

2. Measurement circuit



Customer Name	Standard specification	FUJITSU MEDIA DEVICES LIMITED	
Application	IF Filter for TV (PIF)		
System	M/N		
Picture Carrier Frequency	45.75 MHz	DATE	June 21, 2005
FMD Part Number	FAR-F4SA-45M750-A024	Version	3.1

Amplitude Response (10dB/div)



- Marker1 : 44.05 MHz
- Marker2 : 39.80 MHz
- Marker3 : 40.30 MHz
- Marker4 : 41.30 MHz
- Marker5 : 47.30 MHz

Customer Name	Standard specification	FUJITSU MEDIA DEVICES LIMITED	
Application	IF Filter for TV (PIF)		
System	M/N		
Picture Carrier Frequency	45.75 MHz	DATE	June 21, 2005
FMD Part Number	FAR-F4SA-45M750-A024	Version	3.1

Amplitude Response (1dB/div)

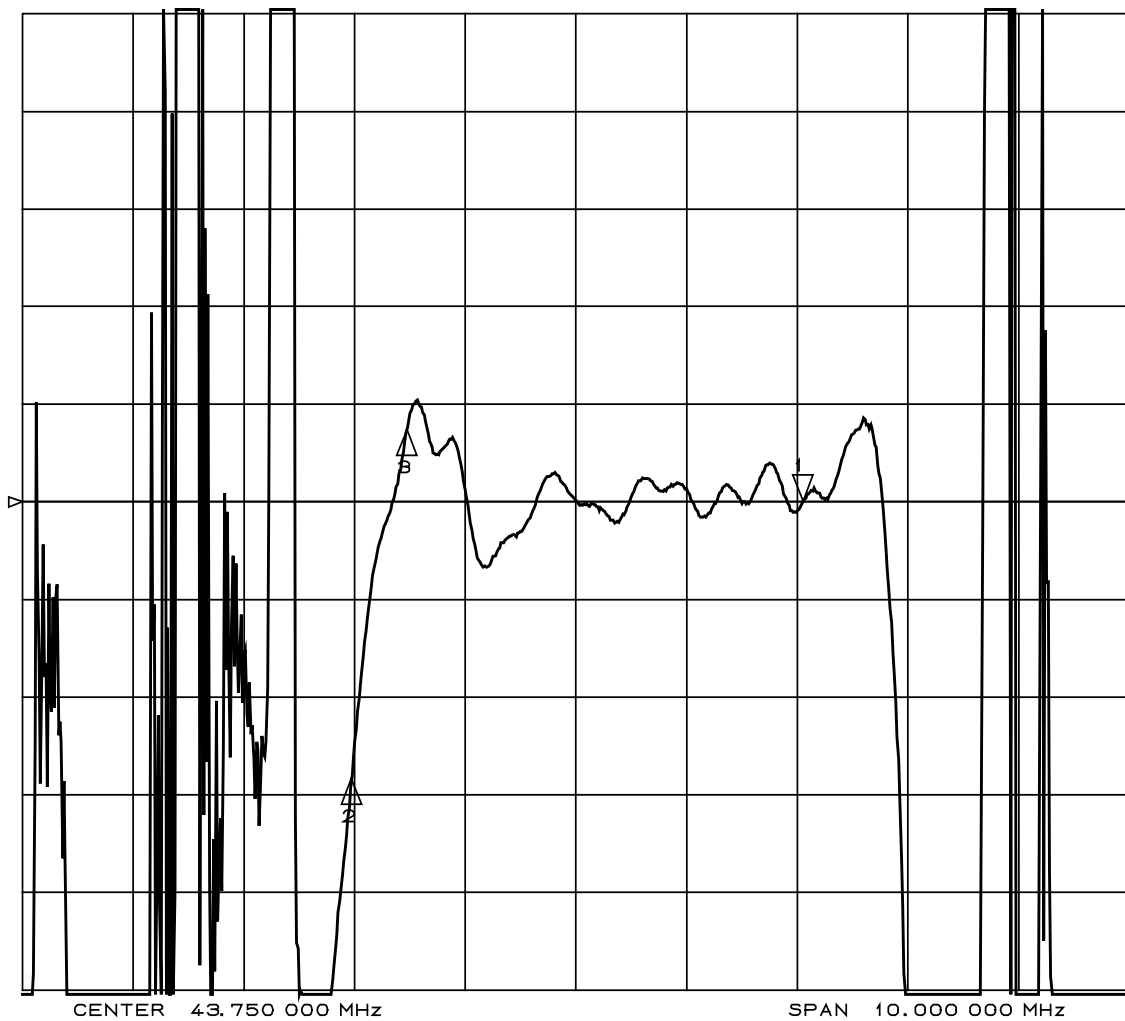


Marker1 : 44.05 MHz
 Marker2 : 41.97 MHz
 Marker3 : 42.22 MHz
 Marker4 : 45.80 MHz

Customer Name	Standard specification	FUJITSU MEDIA DEVICES LIMITED	
Application	IF Filter for TV (PIF)		
System	M/N		
Picture Carrier Frequency	45.75 MHz	DATE	June 21, 2005
FMD Part Number	FAR-F4SA-45M750-A024	Version	3.1

Group Delay (50ns/div)

Delay Aper.=200kHz



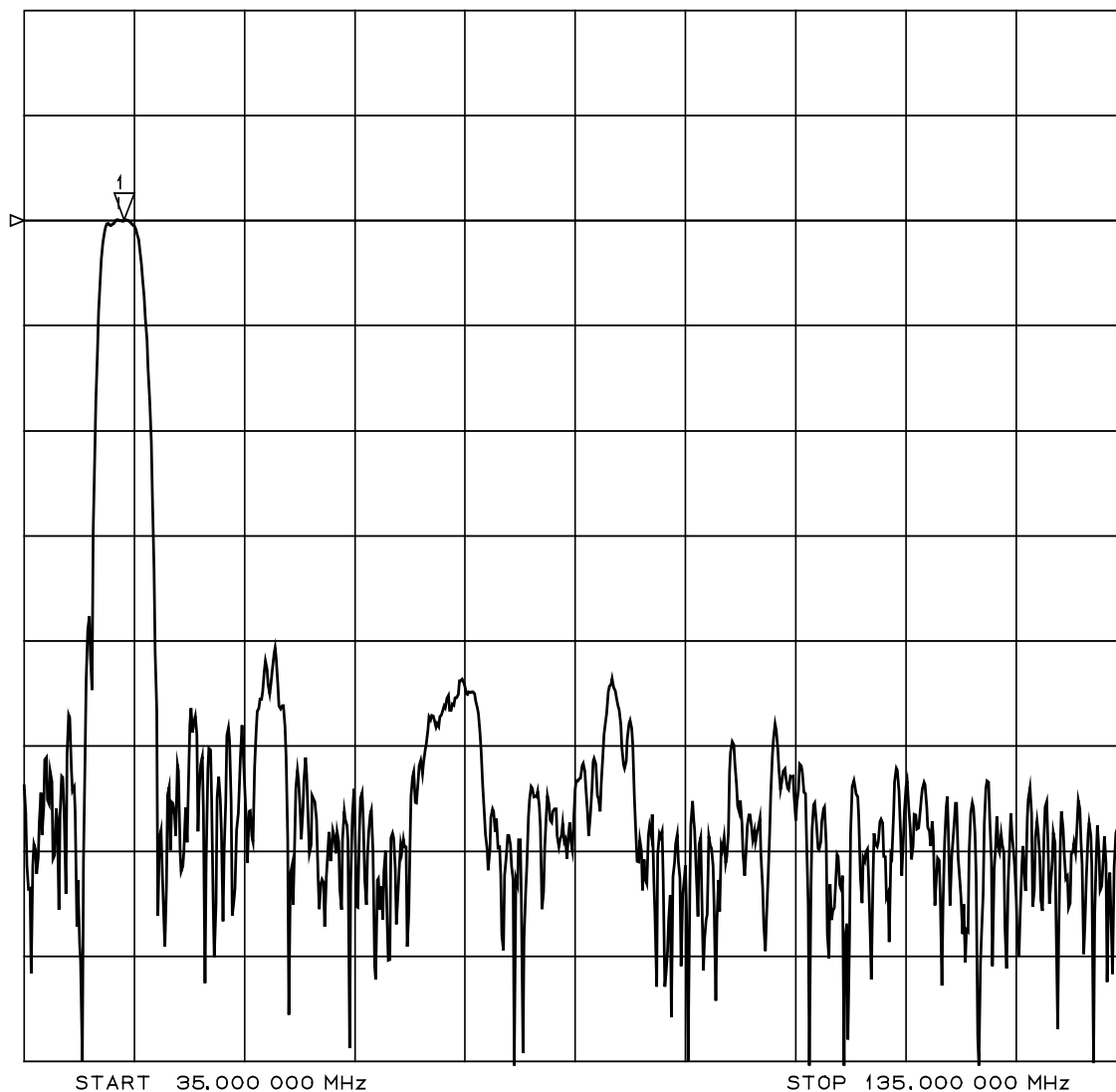
Marker1 : 45.80 MHz

Marker2 : 41.72 MHz

Marker3 : 42.22 MHz

Customer Name	Standard specification	FUJITSU MEDIA DEVICES LIMITED	
Application	IF Filter for TV (PIF)		
System	M/N		
Picture Carrier Frequency	45.75 MHz	DATE	June 21, 2005
FMD Part Number	FAR-F4SA-45M750-A024	Version	3.1

Amplitude Response (10dB/div)
(35.0MHz ----- 135.0MHz)



Marker1 : 44.05 MHz

Customer Name	Standard specification	FUJITSU MEDIA DEVICES LIMITED	
Application	IF Filter for TV (PIF)		
System	M/N		
Picture Carrier Frequency	45.75 MHz	DATE	June 21, 2005
FMD Part Number	FAR-F4SA-45M750-A024	Version	3.1

Time domain Response (10dB/div)

