

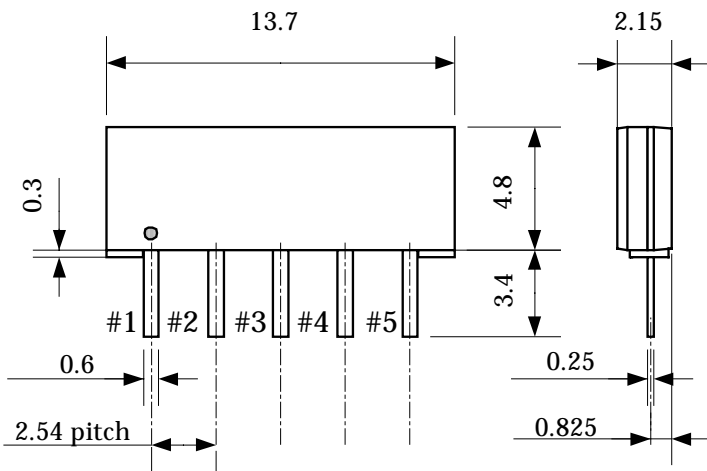
Customer Name	Standard specification	FUJITSU MEDIA DEVICES LIMITED	
Application	IF Filter for TV (SIF)		
System	M/N		
Picture Carrier Frequency	45.75MHz	DATE	June 21, 2005
FMD Part Number	FAR-F4SA-41M250-B021	Version	1.1

Table 1 Proposal Specification (Ta=25°C(45°C))

Items	Conditions	Specification			Unit	Remarks
		Min.	Typ.	Max.		
Insertion Loss	41.31 (41.25) MHz	5.7	7.2	8.7	dB	
Relative level	35.06 ~ 39.81 MHz (35.00~39.75 MHz)	-	-52	-38	dB	
	39.81 (39.75) MHz	-	-57	-45	dB	
	41.31 (41.25) MHz	-	0	-	dB	Reference
	42.23 (42.17) MHz	-	-36	-25	dB	
	45.81 (45.75) MHz	-	-57	-45	dB	
	47.31 (47.25) MHz	-	-53	-44	dB	
	45.81 ~ 55.06 MHz (45.75~55.00 MHz)	-	-49	-40	dB	
Group delay ripple (p-p)	41.01 ~ 41.61 MHz (40.95~41.55 MHz)	-	90	-	ns	
Input Impedance	41.31 MHz	-	0.2//15.3	-	Kohm//pF	
Output Impedance	41.31 MHz	-	3.2//2.8	-	Kohm//pF	
Temperature coefficient		-	-72	-	ppm/°C	

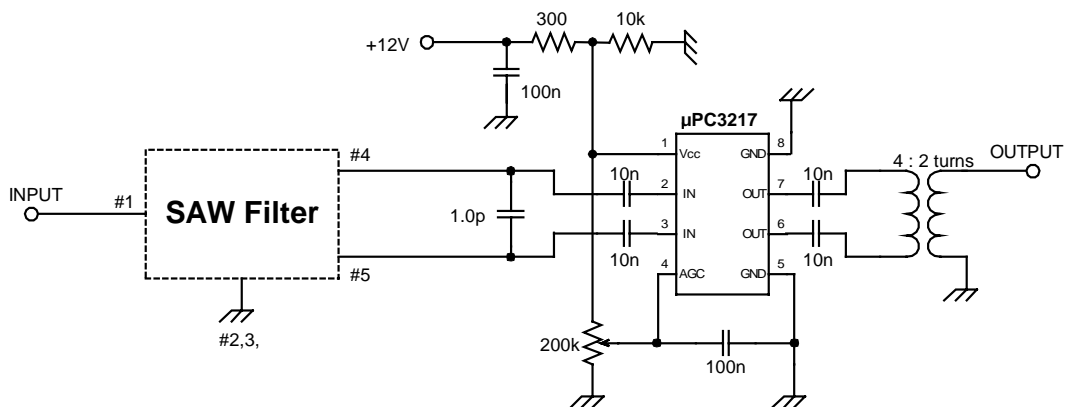
Customer Name	Standard specification	FUJITSU MEDIA DEVICES LIMITED	
Application	IF Filter for TV (SIF)		
System	M/N		
Picture Carrier Frequency	45.75MHz	DATE	June 21, 2005
FMD Part Number	FAR-F4SA-41M250-B021	Version	1.1

1. Pin assignment of plastics Package



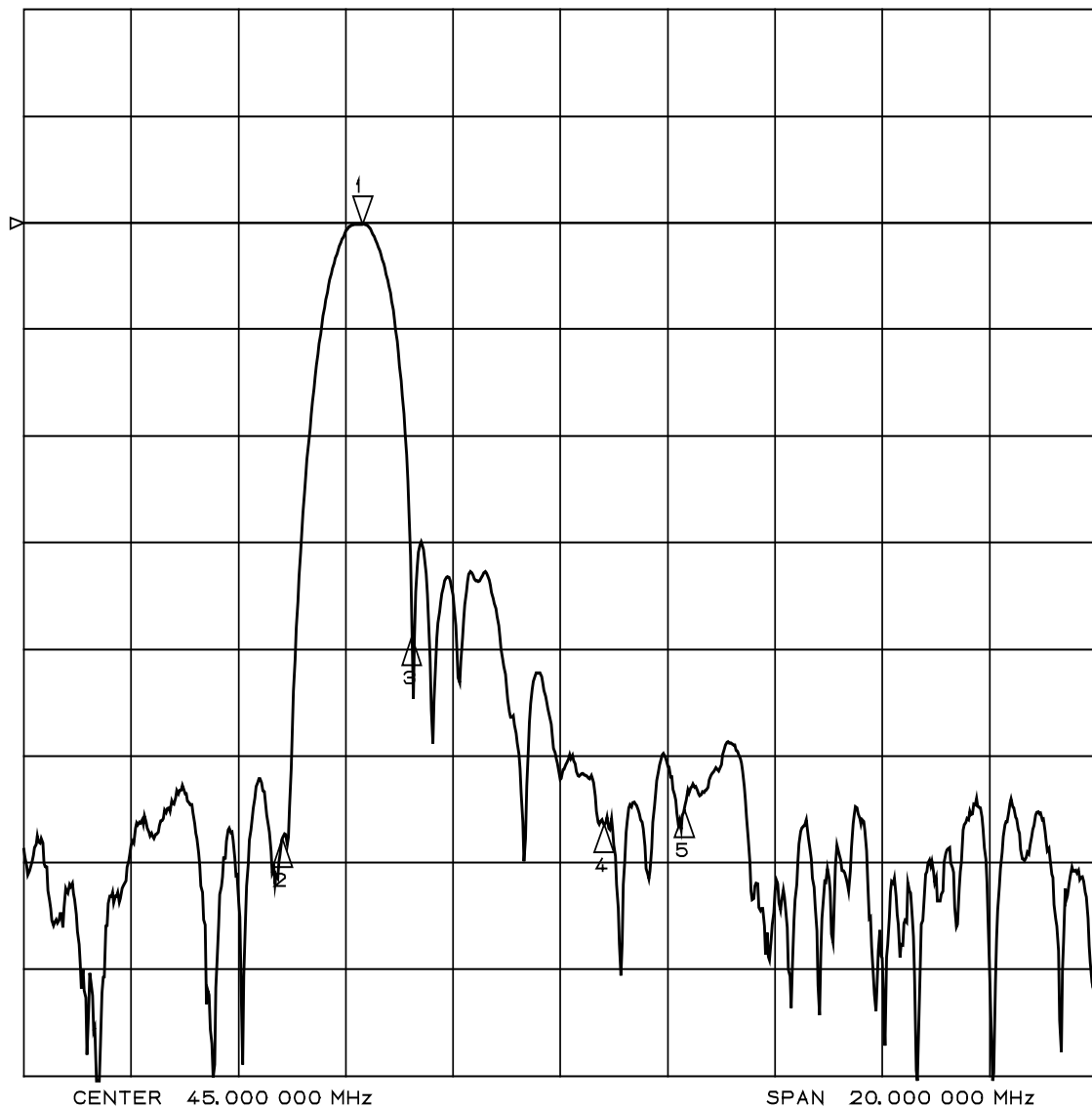
Pin No.	Pin name	Description
1	IN	input pin
2	IN	input pin (Ground)
3	GND	Ground pin
4	OUT	output pin
5	OUT	output pin

2. Measurement circuit



Customer Name	Standard specification	FUJITSU MEDIA DEVICES LIMITED	
Application	IF Filter for TV (SIF)		
System	M/N		
Picture Carrier Frequency	45.75MHz	DATE	June 21, 2005
FMD Part Number	FAR-F4SA-41M250-B021	Version	1.1

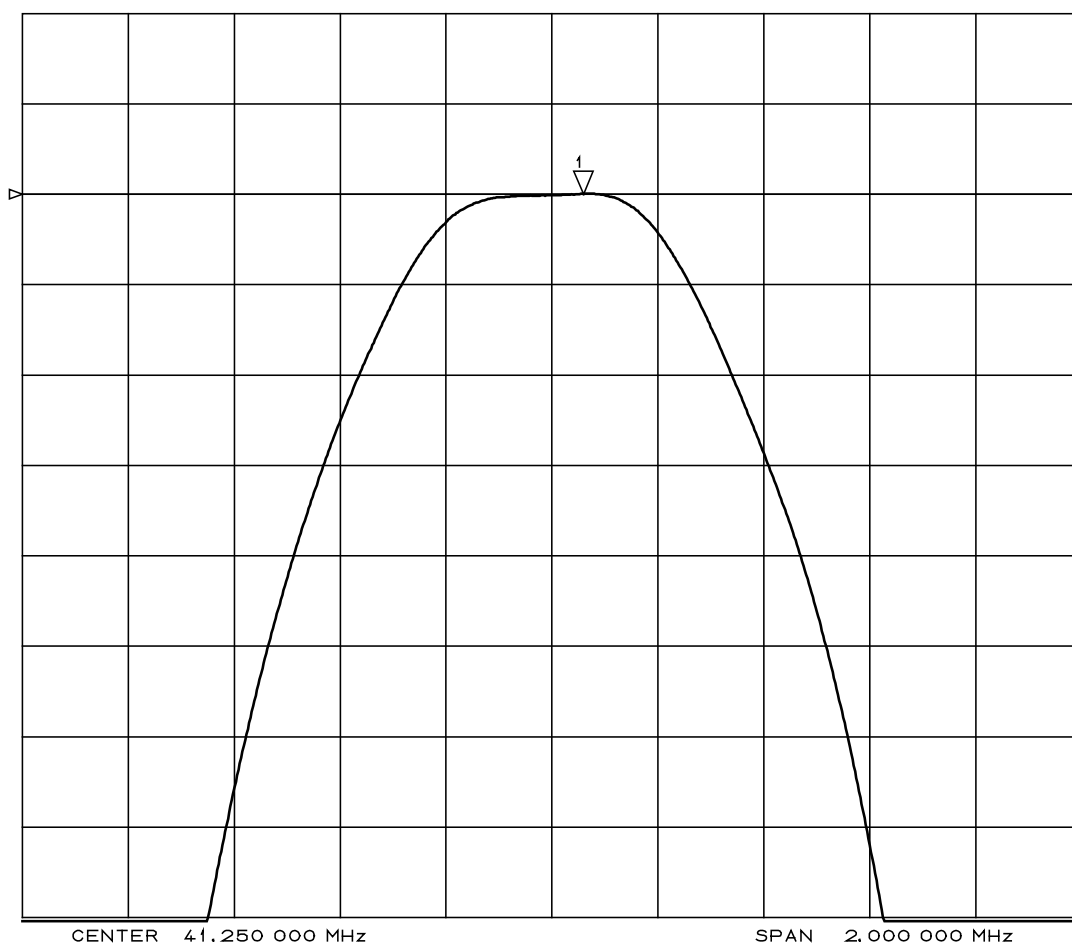
Amplitude Response (10dB/div)



- Marker1 : 41.31 MHz
- Marker2 : 39.81 MHz
- Marker3 : 42.23 MHz
- Marker4 : 45.81 MHz
- Marker5 : 47.31 MHz

Customer Name	Standard specification	FUJITSU MEDIA DEVICES LIMITED	
Application	IF Filter for TV (SIF)		
System	M/N		
Picture Carrier Frequency	45.75MHz	DATE	June 21, 2005
FMD Part Number	FAR-F4SA-41M250-B021	Version	1.1

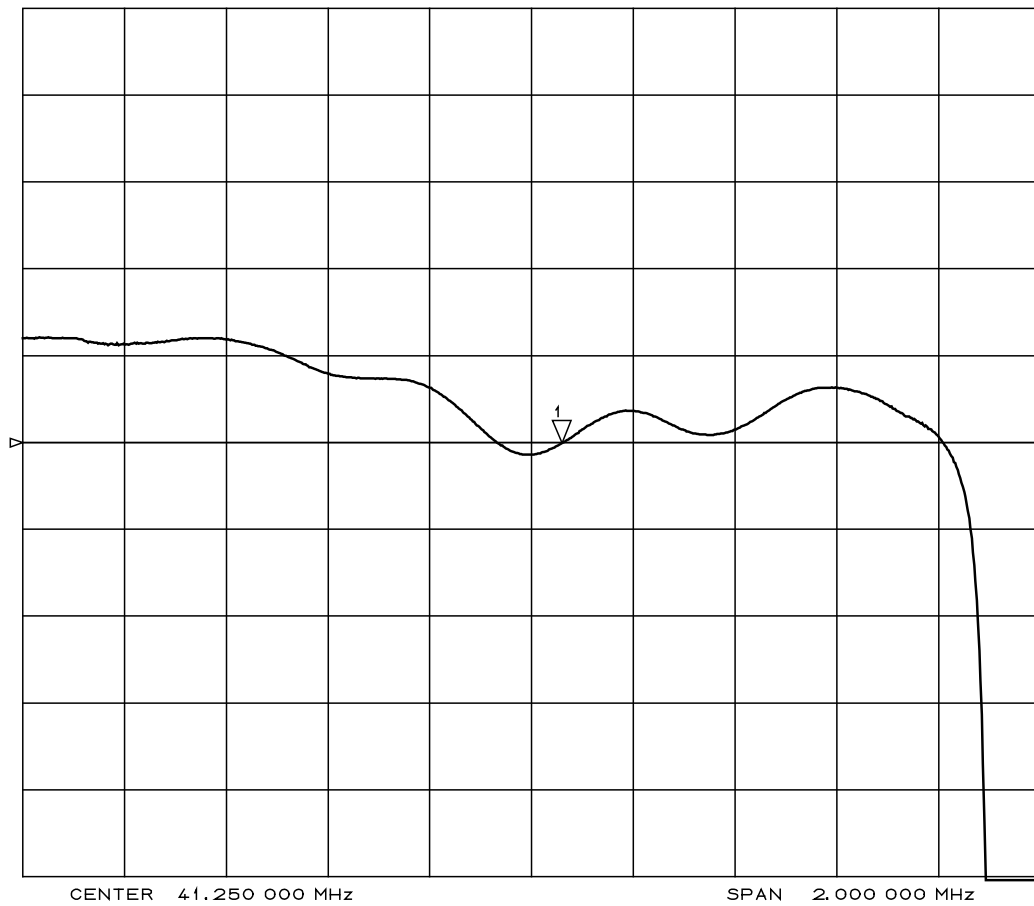
Amplitude Response (1dB/div)



Marker1 : 41.31 MHz

Customer Name	Standard specification	FUJITSU MEDIA DEVICES LIMITED	
Application	IF Filter for TV (SIF)		
System	M/N		
Picture Carrier Frequency	45.75MHz	DATE	June 21, 2005
FMD Part Number	FAR-F4SA-41M250-B021	Version	1.1

Group Delay (100ns/div)
 Delay Aper.=200kHz



Marker1 : 41.31 MHz