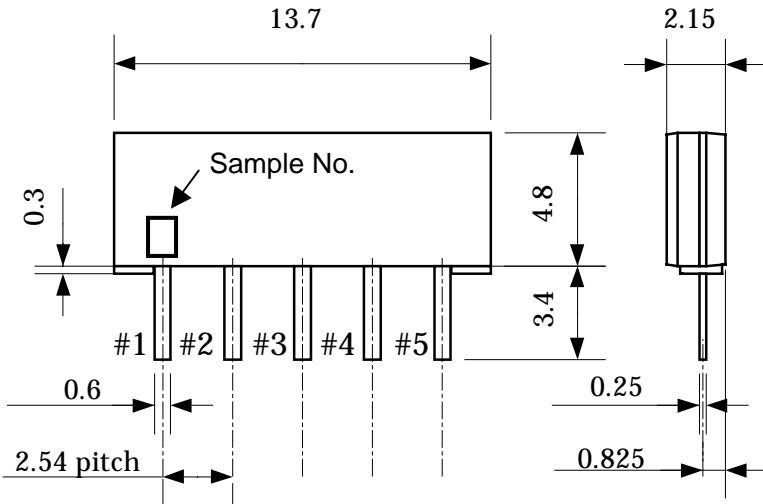


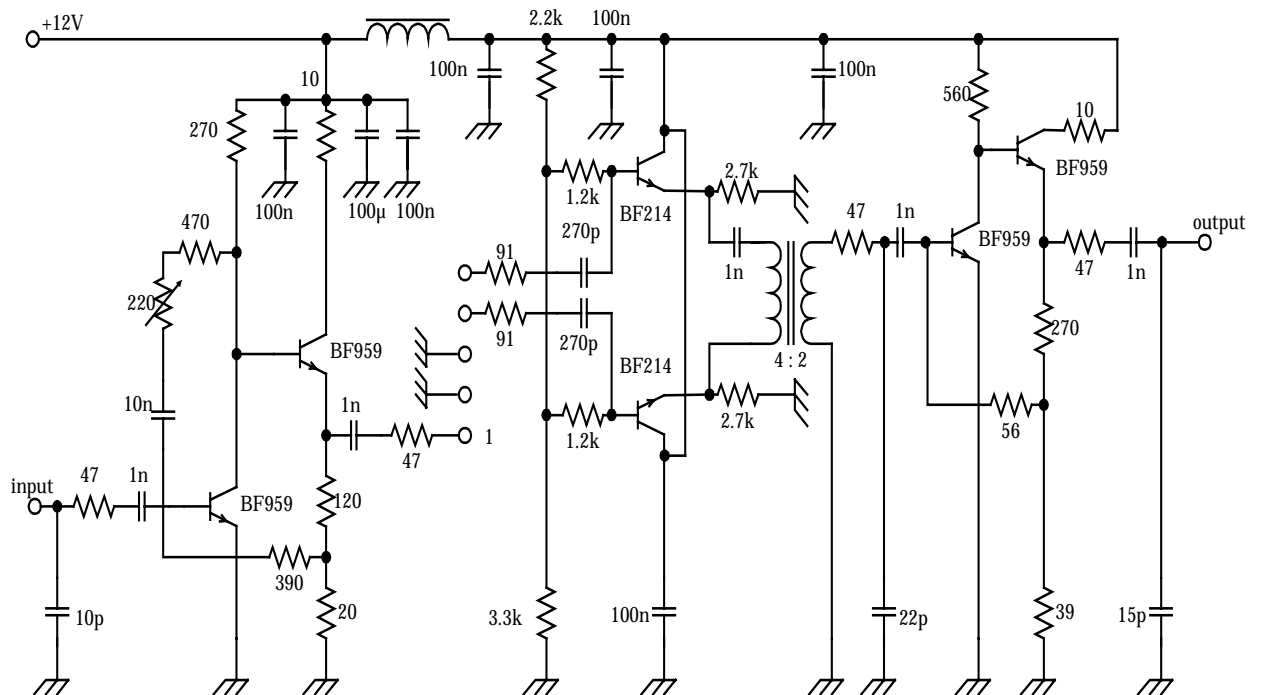
Customer Name	Standard specification	FUJITSU MEDIA DEVICES LIMITED	
Application	IF Filter for TV (SIF)		
System	B/G		
Picture Carrier Frequency	38.00MHz	DATE	June 21, 2005
FMD Part Number	FAR-F4SA-40M400-B071	Version	4.0

## 1. Pin assignment of plastics Package



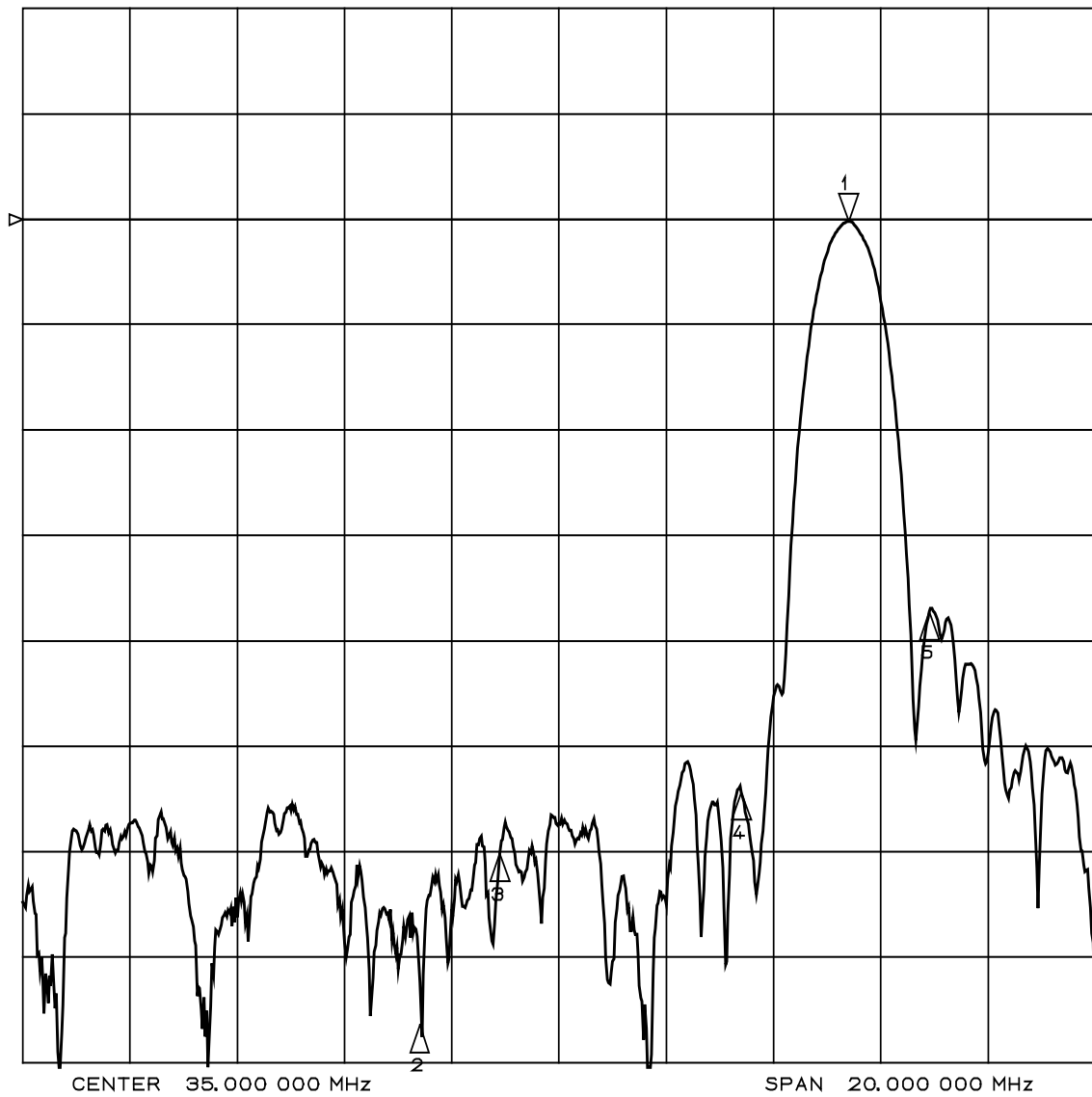
Pin No.	Pin name	Description
1	IN	input pin
2	IN	input pin ( Ground )
3	GND	Ground pin
4	OUT	output pin
5	OUT	output pin

## 2. Measurement circuit



Customer Name	<b>Standard specification</b>	FUJITSU MEDIA DEVICES LIMITED	
Application	IF Filter for TV (SIF)		
System	B/G		
Picture Carrier Frequency	38.00MHz	DATE	June 21, 2005
FMD Part Number	FAR-F4SA-40M400-B071	Version	4.0

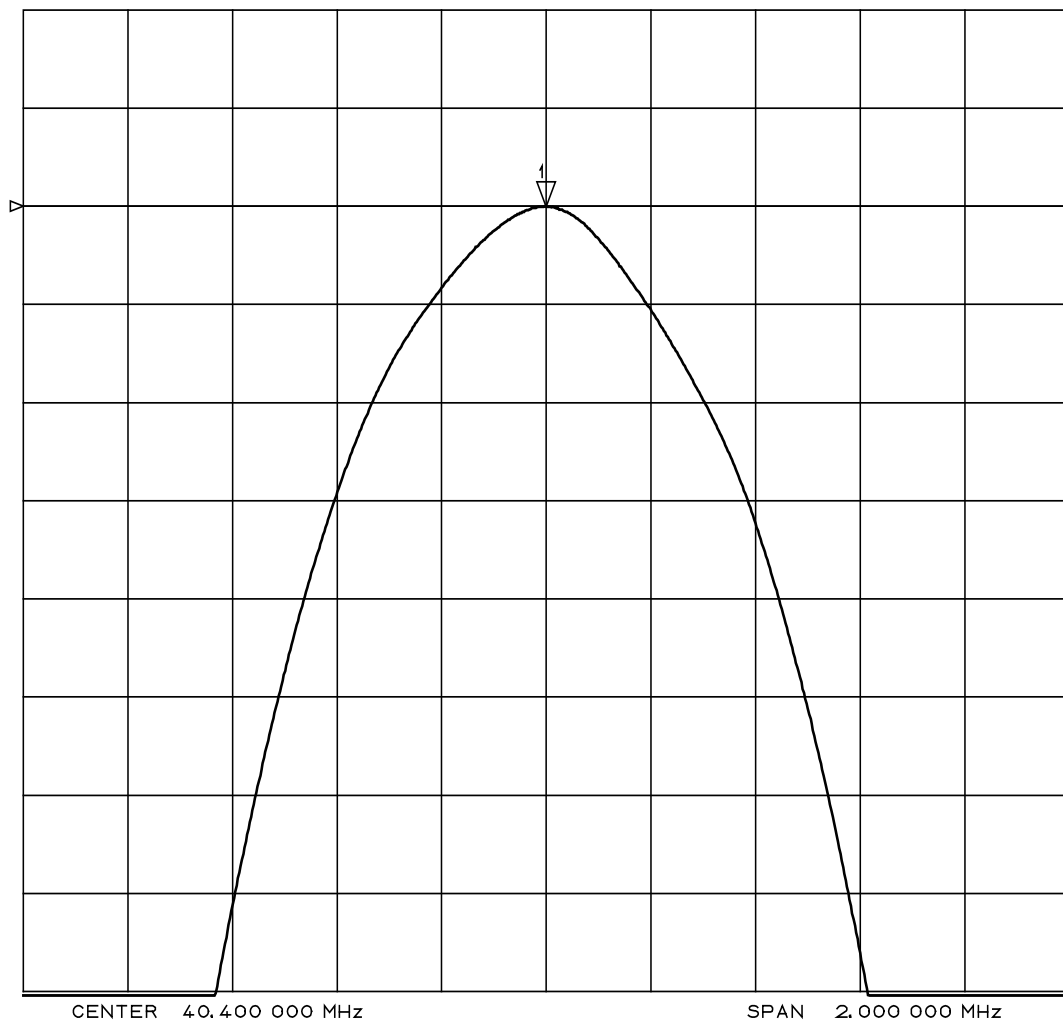
Amplitude Response (10dB/div)



- Marker1 : 40.40 MHz
- Marker2 : 32.40 MHz
- Marker3 : 33.90 MHz
- Marker4 : 38.40 MHz
- Marker5 : 41.90 MHz

Customer Name	<b>Standard specification</b>	FUJITSU MEDIA DEVICES LIMITED	
Application	IF Filter for TV (SIF)		
System	B/G		
Picture Carrier Frequency	38.00MHz	DATE	June 21, 2005
FMD Part Number	FAR-F4SA-40M400-B071	Version	4.0

Amplitude Response (1dB/div)

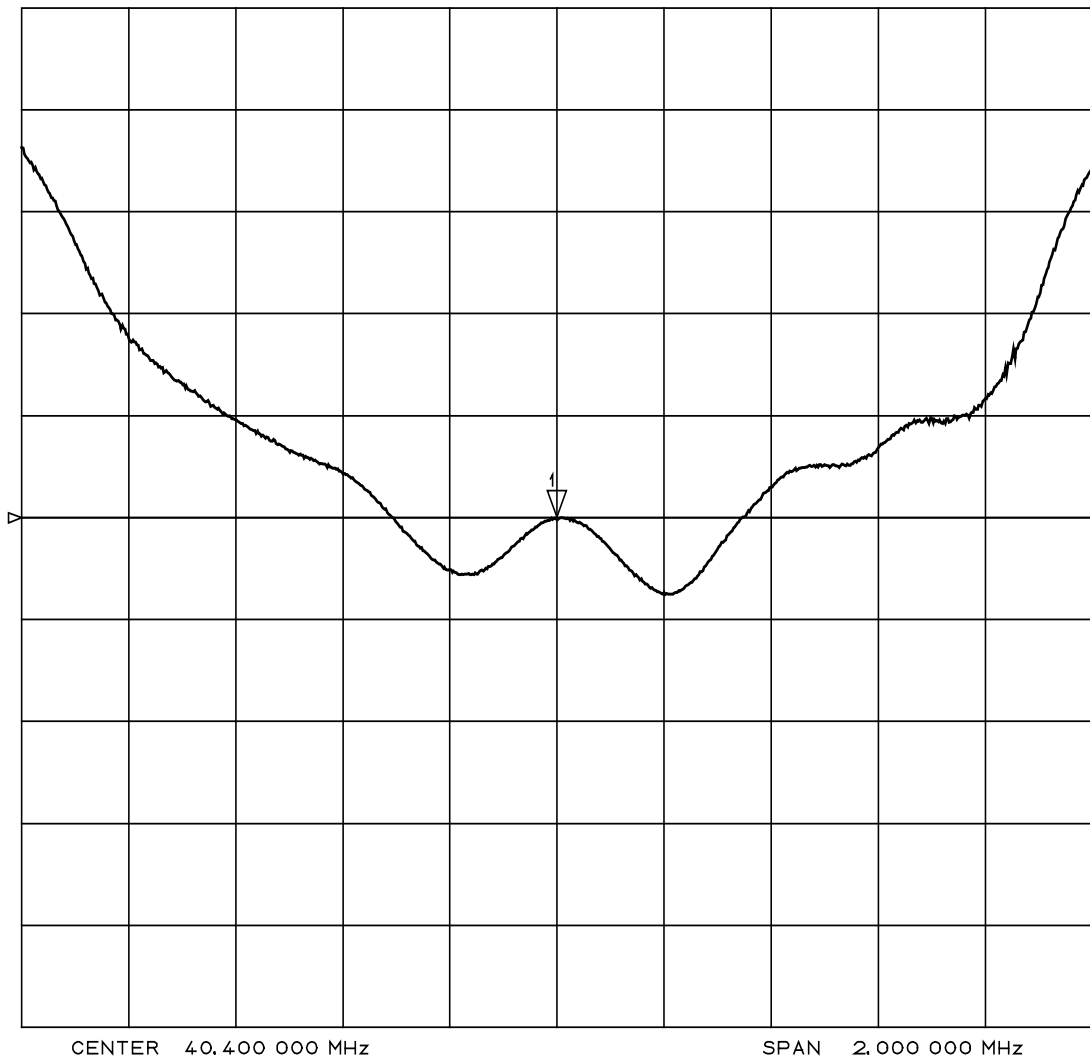


Marker1 : 40.40MHz

Customer Name	<b>Standard specification</b>	FUJITSU MEDIA DEVICES LIMITED	
Application	IF Filter for TV (SIF)		
System	B/G		
Picture Carrier Frequency	38.00MHz	DATE	June 21, 2005
FMD Part Number	FAR-F4SA-40M400-B071	Version	4.0

Group Delay (50ns/div)

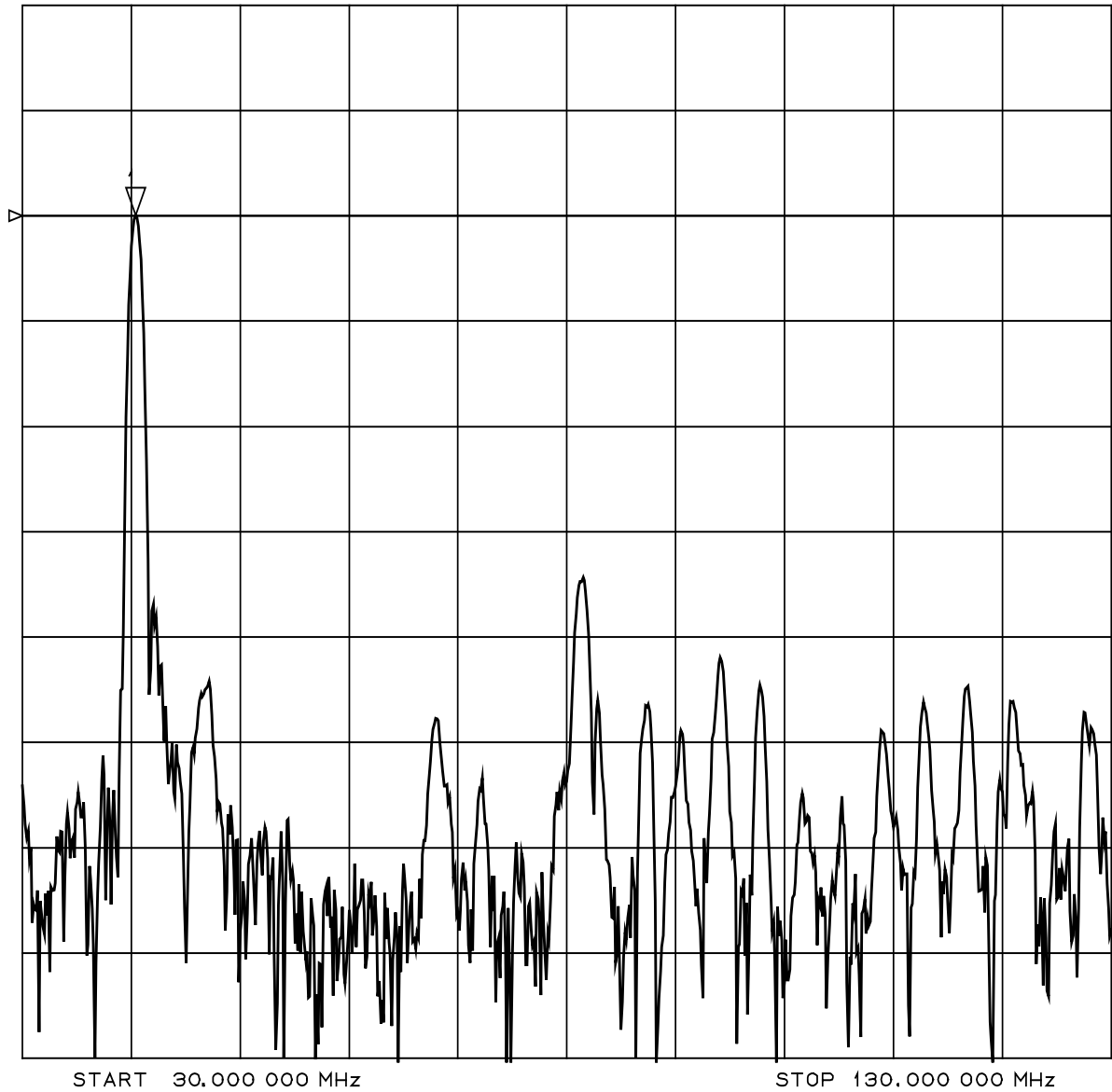
Delay Aper.=200kHz



Marker1 : 40.40 MHz

Customer Name	<b>Standard specification</b>	FUJITSU MEDIA DEVICES LIMITED	
Application	IF Filter for TV (SIF)		
System	B/G		
Picture Carrier Frequency	38.00MHz	DATE	June 21, 2005
FMD Part Number	FAR-F4SA-40M400-B071	Version	4.0

Amplitude Response (10dB/div)  
(30 MHz ----- 130MHz )



Marker1 : 40.40 MHz