

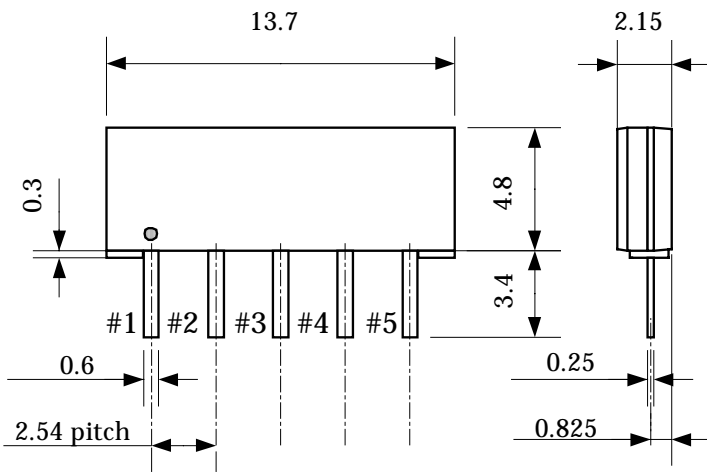
Customer Name	Standard specification	FUJITSU MEDIA DEVICES LIMITED	
Application	IF Filter for TV (PIF)		
System	B/G, D/K, I, L/L'		
Picture Carrier Frequency	33.9/38.9 MHz	DATE	June 21, 2005
FMD Part Number	FAR-F4SA-38M900-A072	Version	1.0

Table 1 Proposal Specification (Ta=25°C)

Items	Conditions	Specification			Unit	Remarks
		Min.	Typ.	Max.		
Insertion Loss	37.45 MHz	14.2	15.7	17.2	dB	
Relative level	30.95 MHz	–	-60	-48	dB	
	31.95 MHz	–	-54	-47	dB	
	33.45 MHz	–	-27	-20	dB	
	33.95 MHz	-9.4	-8.4	-7.4	dB	
	34.52 MHz	-1.8	-0.8	0.2	dB	
	37.45 MHz	–	0	–	dB	Reference
	38.95 MHz	-6.9	-5.9	-4.9	dB	
	40.20 MHz	–	-53	-41	dB	
	40.45 MHz	–	-57	-46	dB	
	40.95 MHz	–	-56	-44	dB	
	41.45 MHz	–	-51	-41	dB	
	25.05 ~ 31.95 MHz	–	-50	-43	dB	
	40.45 ~ 45.05 MHz	–	-43	-38	dB	
	Group delay ripple (p-p)	33.95 ~ 38.95 MHz	–	60	–	ns
Input Capacitance	Cin	–	15.2	–	pF	at 1MHz
Output Capacitance	Cout	–	6.0	–	pF	at 1MHz
Temperature coefficient		–	-72	–	ppm/°C	

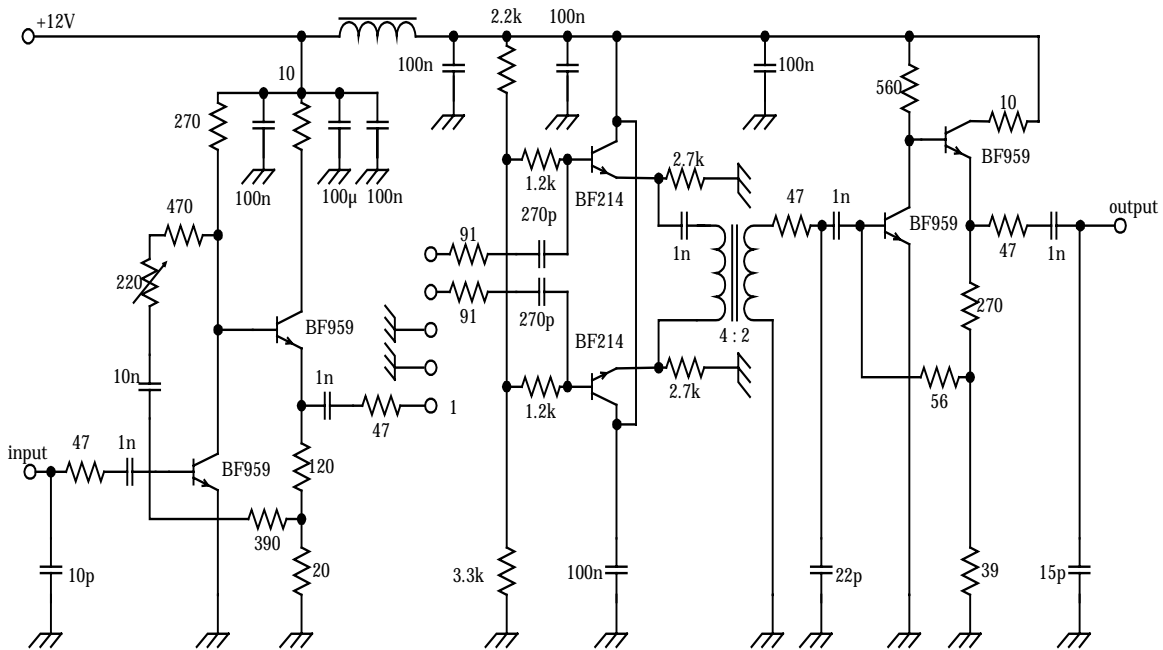
Customer Name	Standard specification	FUJITSU MEDIA DEVICES LIMITED	
Application	IF Filter for TV (PIF)		
System	B/G, D/K, I, L/L'		
Picture Carrier Frequency	33.9/38.9 MHz	DATE	June 21, 2005
FMD Part Number	FAR-F4SA-38M900-A072	Version	1.0

1. Pin assignment of plastics Package



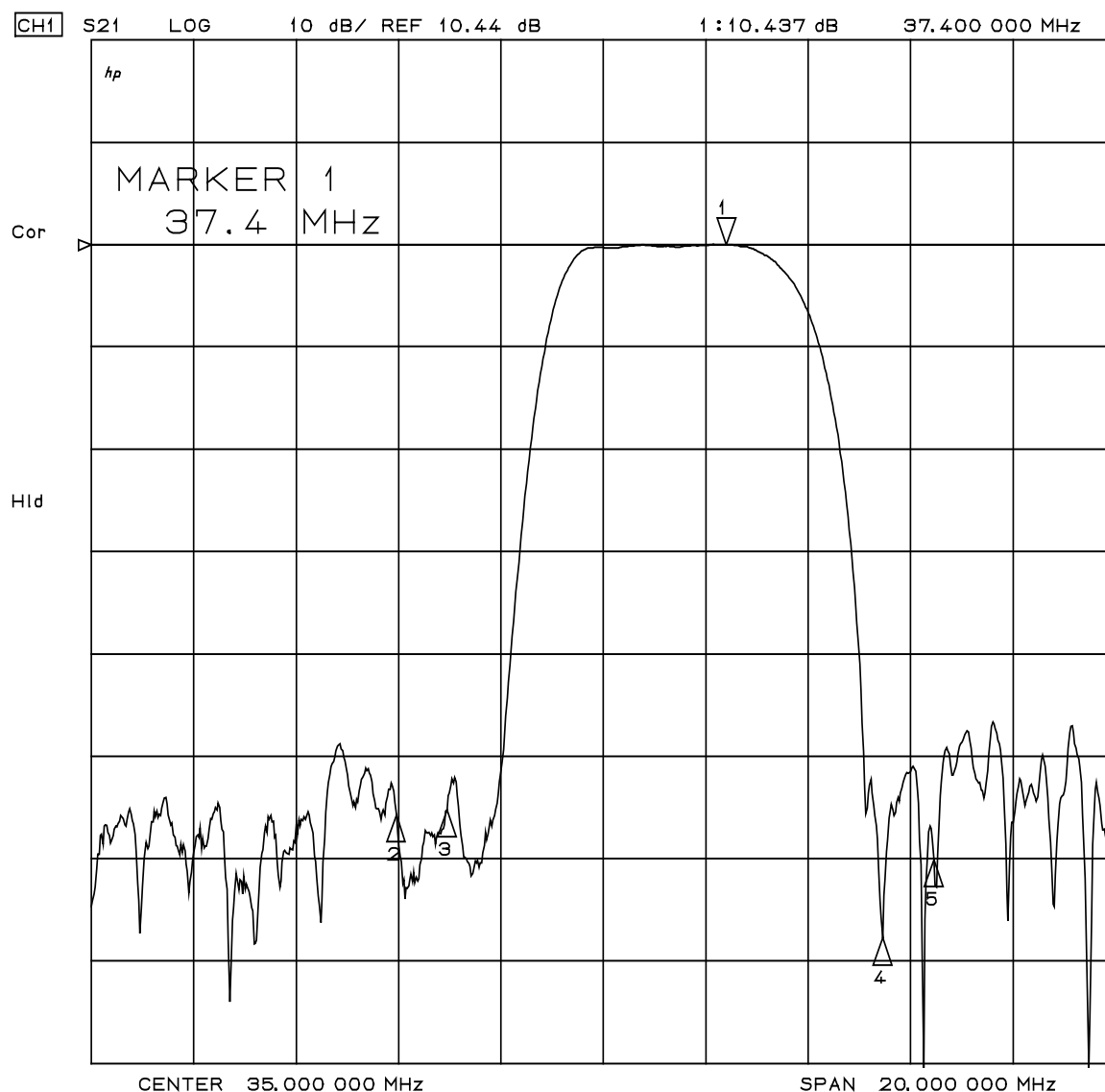
Pin No.	Pin name	Description
1	IN	input pin
2	IN	input pin (Ground)
3	GND	Ground pin
4	OUT	output pin
5	OUT	output pin

2. Measurement circuit



Customer Name	Standard specification	FUJITSU MEDIA DEVICES LIMITED	
Application	IF Filter for TV (PIF)		
System	B/G, D/K, I, L/L'		
Picture Carrier Frequency	33.9/38.9 MHz	DATE	June 21, 2005
FMD Part Number	FAR-F4SA-38M900-A072	Version	1.0

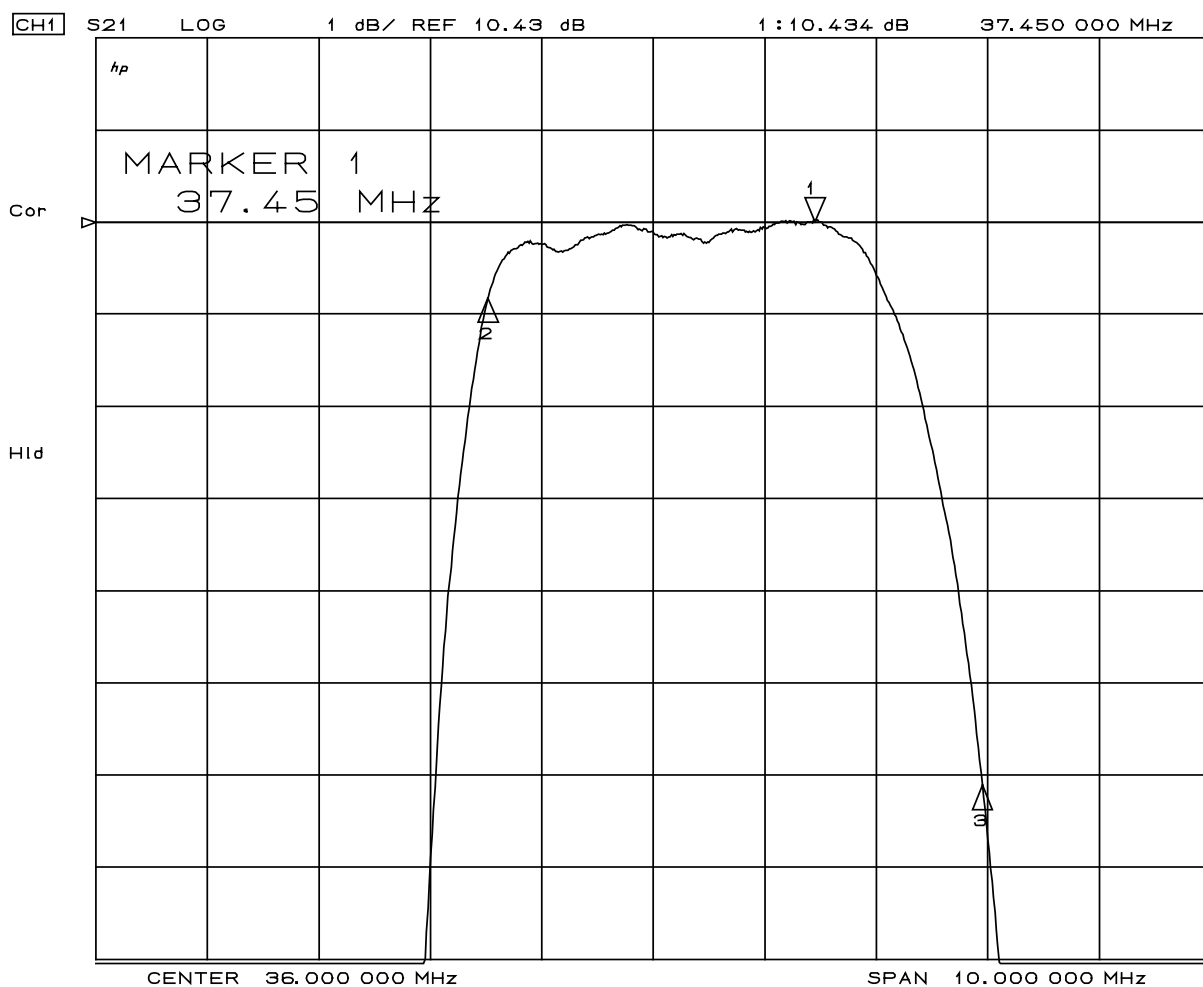
Amplitude Response (10dB/div)



Marker1 : 37.45 MHz
 Marker2 : 30.95 MHz
 Marker3 : 31.95 MHz
 Marker4 : 40.45 MHz
 Marker5 : 41.45 MHz

Customer Name	Standard specification	FUJITSU MEDIA DEVICES LIMITED	
Application	IF Filter for TV (PIF)		
System	B/G, D/K, I, L/L'		
Picture Carrier Frequency	33.9/38.9 MHz	DATE	June 21, 2005
FMD Part Number	FAR-F4SA-38M900-A072	Version	1.0

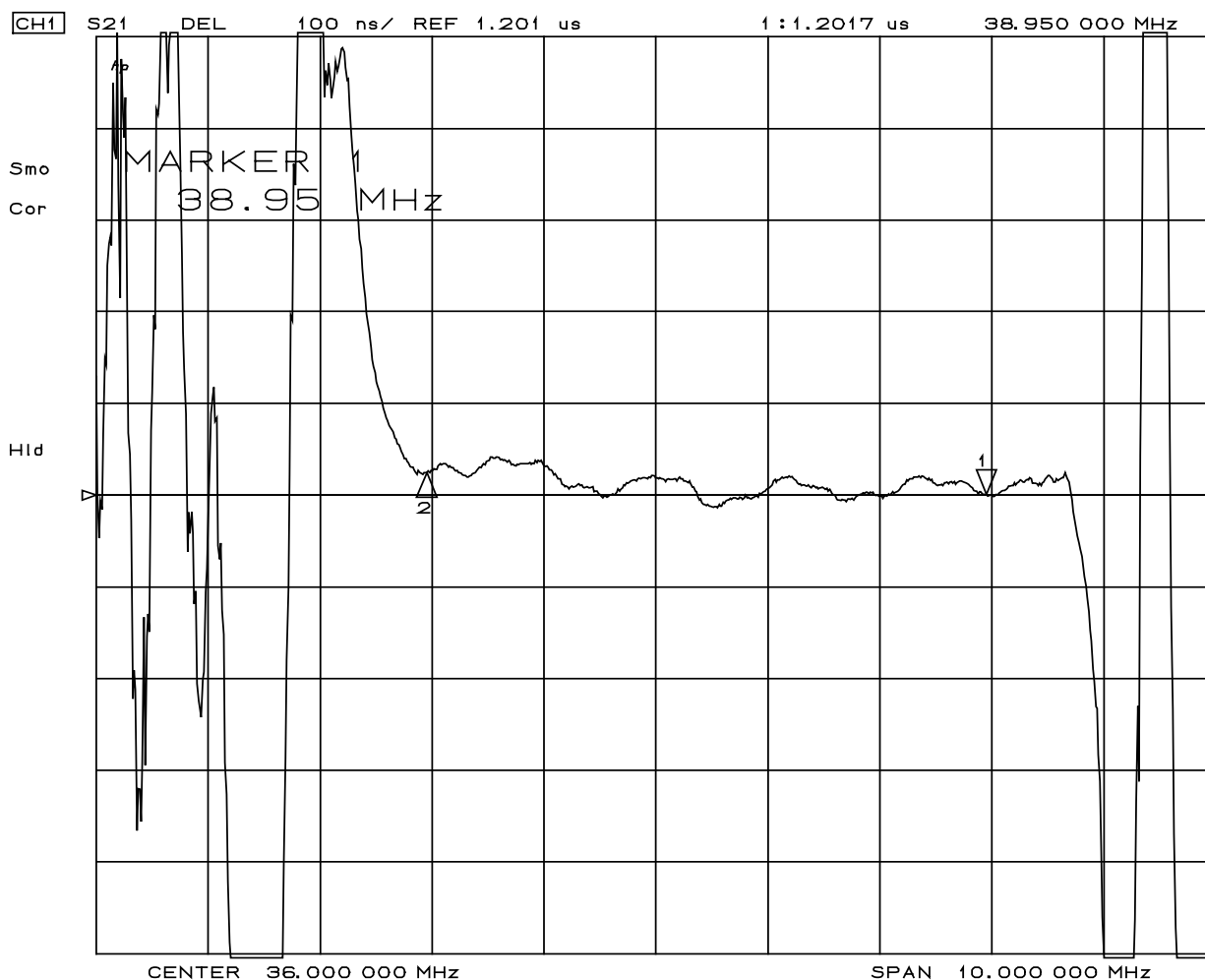
Amplitude Response (1dB/div)



Marker1 : 37.45 MHz
 Marker2 : 34.52 MHz
 Marker3 : 38.95 MHz

Customer Name	Standard specification	FUJITSU MEDIA DEVICES LIMITED	
Application	IF Filter for TV (PIF)		
System	B/G, D/K, I, L/L'		
Picture Carrier Frequency	33.9/38.9 MHz	DATE	June 21, 2005
FMD Part Number	FAR-F4SA-38M900-A072	Version	1.0

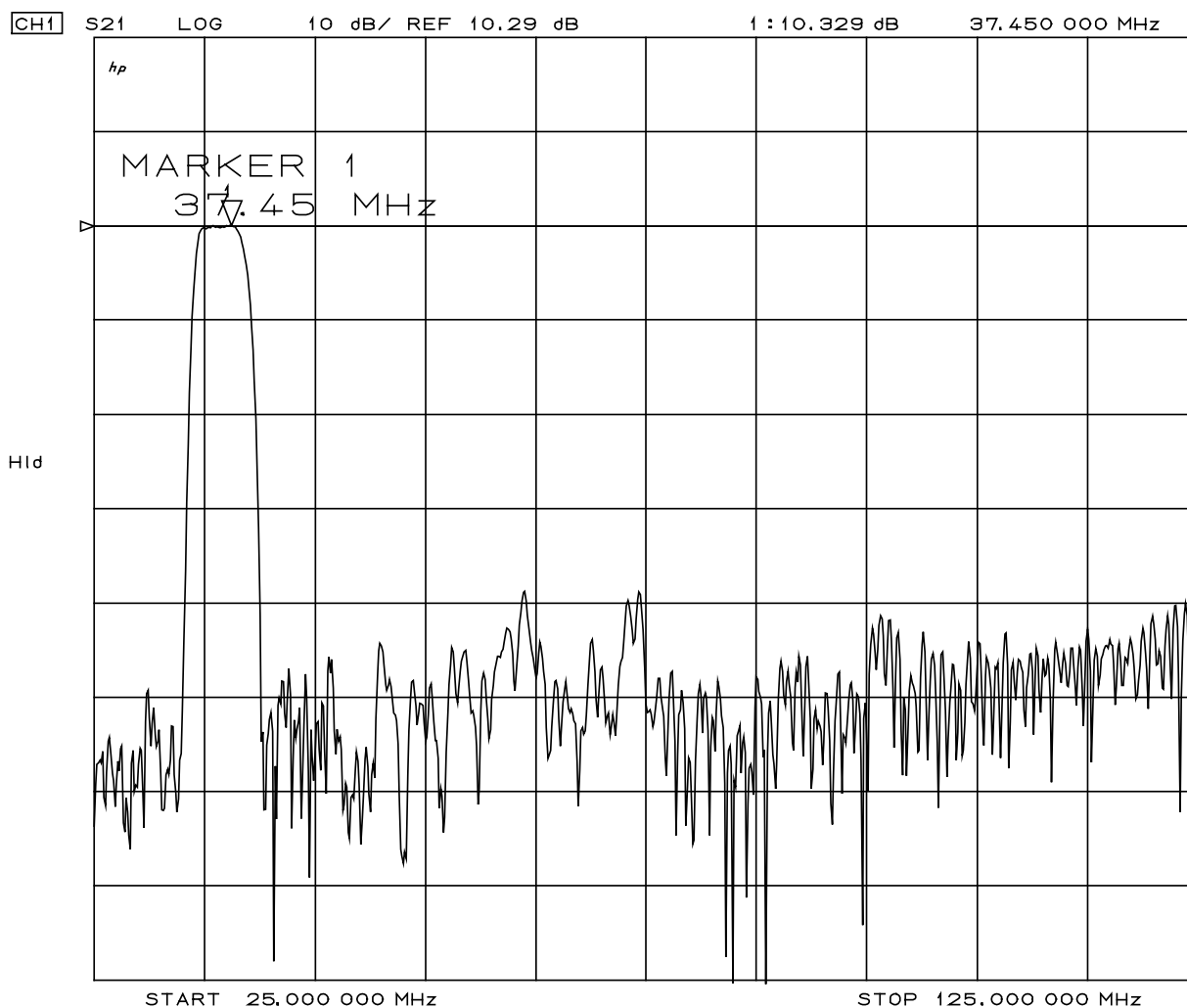
Group Delay (100ns/div)
Delay Aperi.=200kHz



Marker1 : 38.95 MHz
Marker2 : 33.95 MHz

Customer Name	Standard specification	FUJITSU MEDIA DEVICES LIMITED	
Application	IF Filter for TV (PIF)		
System	B/G, D/K, I, L/L'		
Picture Carrier Frequency	33.9/38.9 MHz	DATE	June 21, 2005
FMD Part Number	FAR-F4SA-38M900-A072	Version	1.0

Amplitude Response (10dB/div)
(25.0MHz ----- 125.0MHz)



Customer Name	Standard specification	FUJITSU MEDIA DEVICES LIMITED	
Application	IF Filter for TV (PIF)		
System	B/G, D/K, I, L/L'		
Picture Carrier Frequency	33.9/38.9 MHz	DATE	June 21, 2005
FMD Part Number	FAR-F4SA-38M900-A072	Version	1.0

Time domain Response (10dB/div)

