

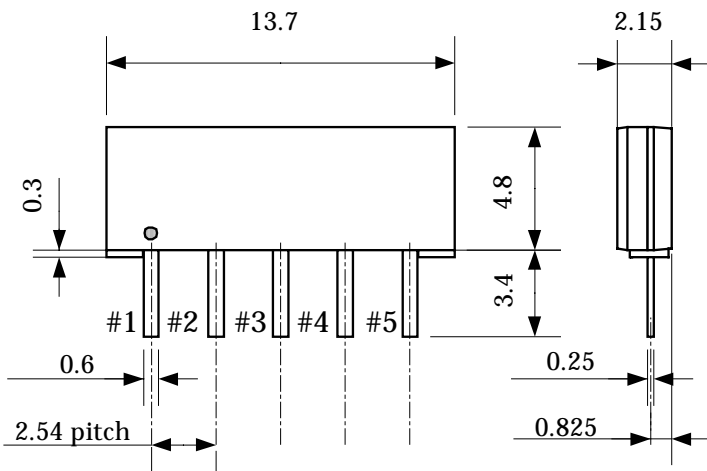
Customer Name	Standard specification	FUJITSU MEDIA DEVICES LIMITED	
Application	IF Filter for TV (PIF)		
System	B/G		
Picture Carrier Frequency	38.90MHz	DATE	June 21, 2005
FMD Part Number	FAR-F4SA-38M900-A041	Version	2.1

Table 1 Proposal Specification (Ta=25°C)

Items	Conditions	Specification			Unit	Remarks
		Min.	Typ.	Max.		
Insertion Loss	37.40 MHz	13.5	15.0	16.5	dB	
Relative level	30.90 MHz	–	-53	-46	dB	
	31.40 MHz	–	-51	-45	dB	
	31.90 MHz	–	-56	-47	dB	
	32.40 MHz	–	-52	-45	dB	
	33.40 MHz	-21	-20	-19	dB	
	34.47 MHz	-3.5	-2.5	-1.5	dB	
	37.40 MHz	–	0	–	dB	Reference
	38.90 MHz	-7.0	-6.0	-5.0	dB	
	40.15 MHz	–	-51	-42	dB	
	40.40 MHz	–	-57	-46	dB	
	41.40 MHz	–	-51	-42	dB	
	25.00 ~ 31.40 MHz	–	-47	-42	dB	
	40.40 ~ 45.00 MHz	–	-42	-37	dB	
Group delay	34.47 MHz	–	13	–	ns	
	36.90 MHz	–	-67	–	ns	
	38.90 MHz	–	0	–	ns	Reference
Input Impedance	37.40 MHz	–	1.6//14.9	–	kΩ//pF	
Output Impedance	37.40 MHz	–	1.5//5.0	–	kΩ//pF	
Temperature coefficient		–	-72	–	ppm/°C	

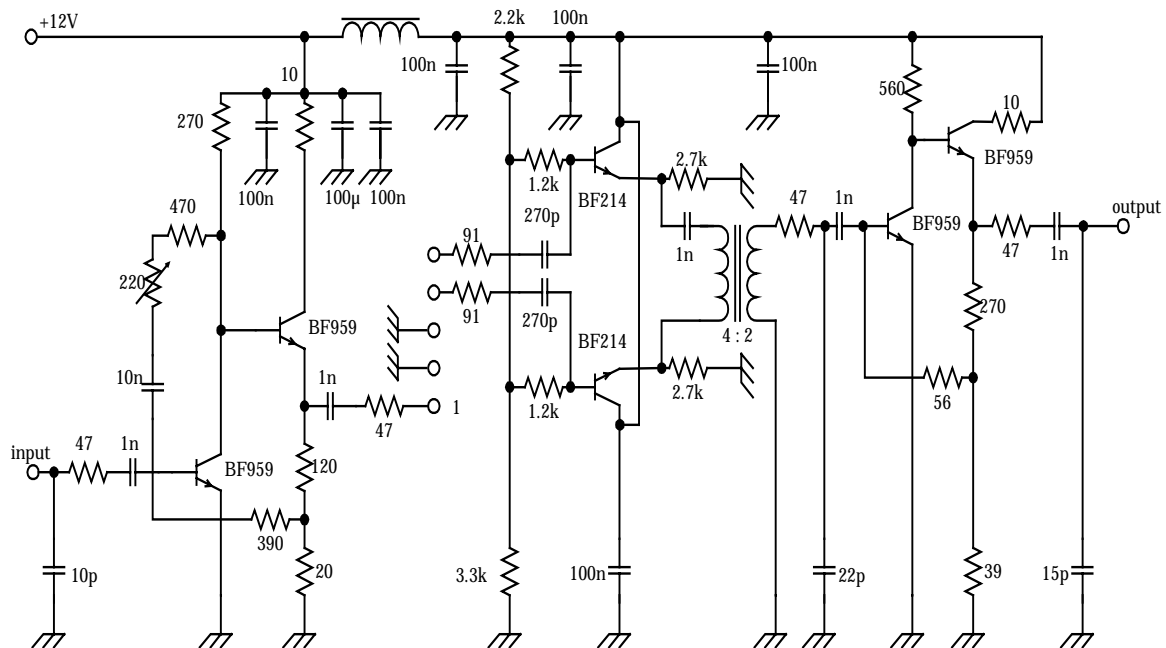
Customer Name	Standard specification	FUJITSU MEDIA DEVICES LIMITED	
Application	IF Filter for TV (PIF)		
System	B/G		
Picture Carrier Frequency	38.90MHz	DATE	June 21, 2005
FMD Part Number	FAR-F4SA-38M900-A041	Version	2.1

1. Pin assignment of plastics Package



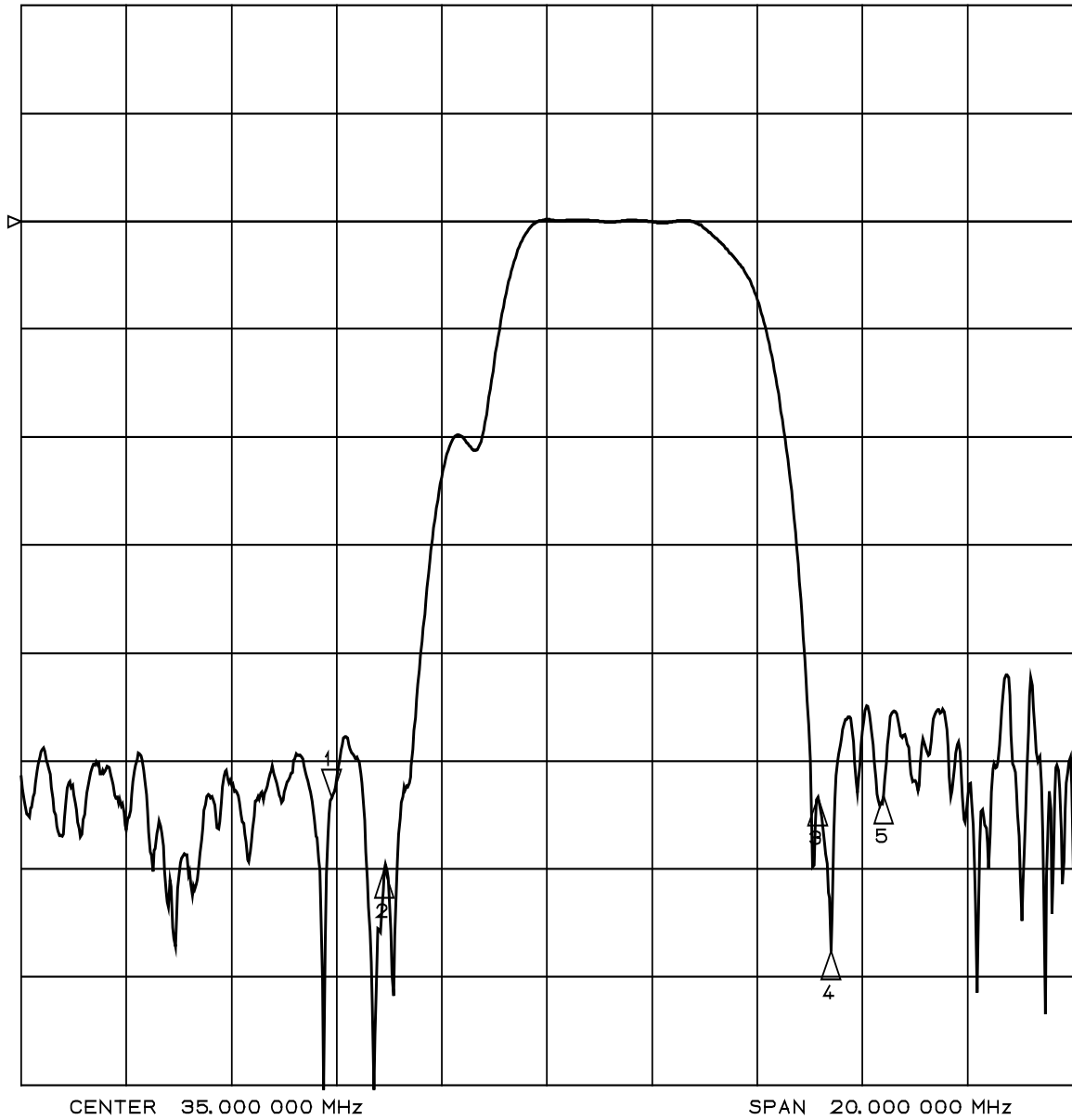
Pin No.	Pin name	Description
1	IN	input pin
2	IN	input pin (Ground)
3	GND	Ground pin
4	OUT	output pin
5	OUT	output pin

2. Measurement circuit



Customer Name	Standard specification	FUJITSU MEDIA DEVICES LIMITED	
Application	IF Filter for TV (PIF)		
System	B/G		
Picture Carrier Frequency	38.90MHz	DATE	June 21, 2005
FMD Part Number	FAR-F4SA-38M900-A041	Version	2.1

Amplitude Response (10dB/div)



- Marker1 : 30.90 MHz
- Marker2 : 31.90 MHz
- Marker3 : 40.15 MHz
- Marker4 : 40.40 MHz
- Marker5 : 41.40 MHz

Customer Name	Standard specification	FUJITSU MEDIA DEVICES LIMITED	
Application	IF Filter for TV (PIF)		
System	B/G		
Picture Carrier Frequency	38.90MHz	DATE	June 21, 2005
FMD Part Number	FAR-F4SA-38M900-A041	Version	2.1

Amplitude Response (1dB/div)



Marker1 : 37.40 MHz

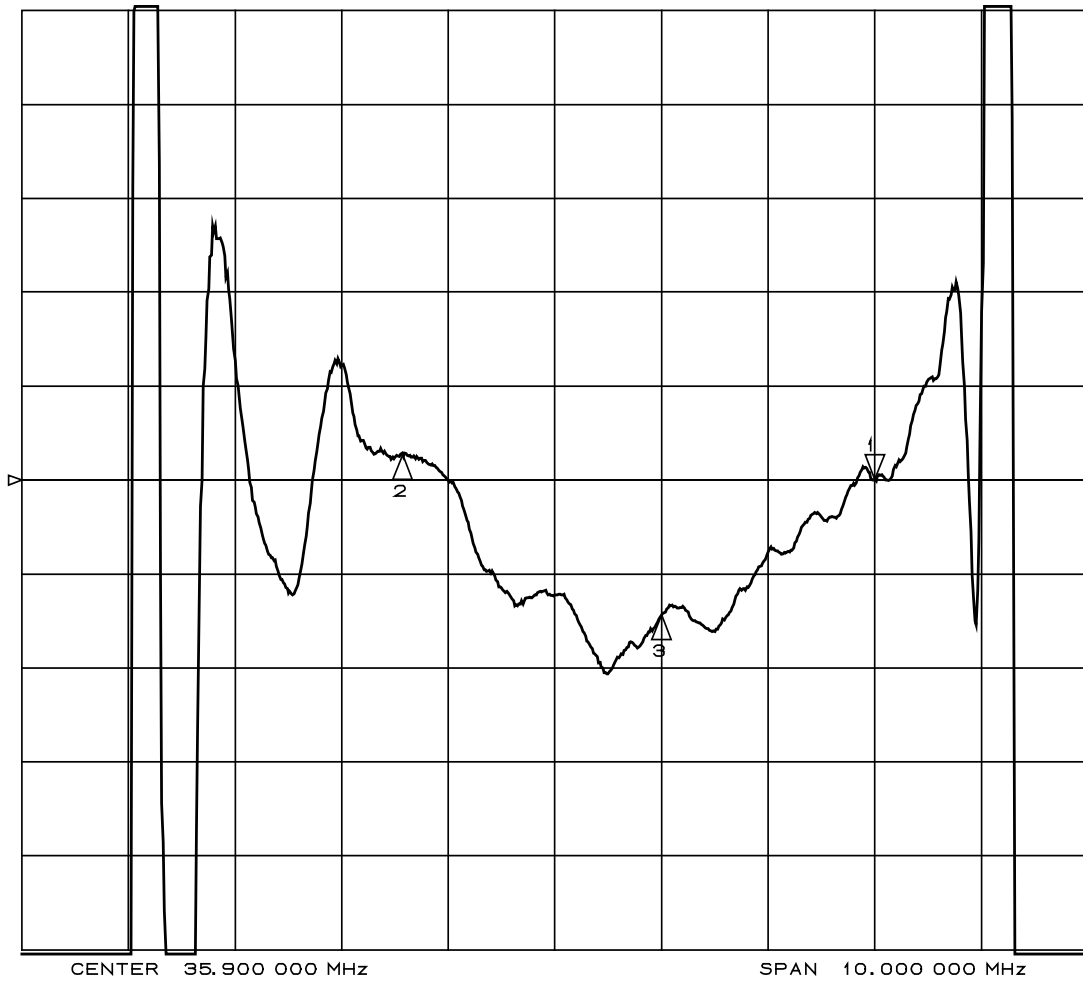
Marker2 : 34.47 MHz

Marker4 : 38.90 MHz

Customer Name	Standard specification	FUJITSU MEDIA DEVICES LIMITED	
Application	IF Filter for TV (PIF)		
System	B/G		
Picture Carrier Frequency	38.90MHz	DATE	June 21, 2005
FMD Part Number	FAR-F4SA-38M900-A041	Version	2.1

Group Delay (100ns/div)

Delay Aper.=200kHz



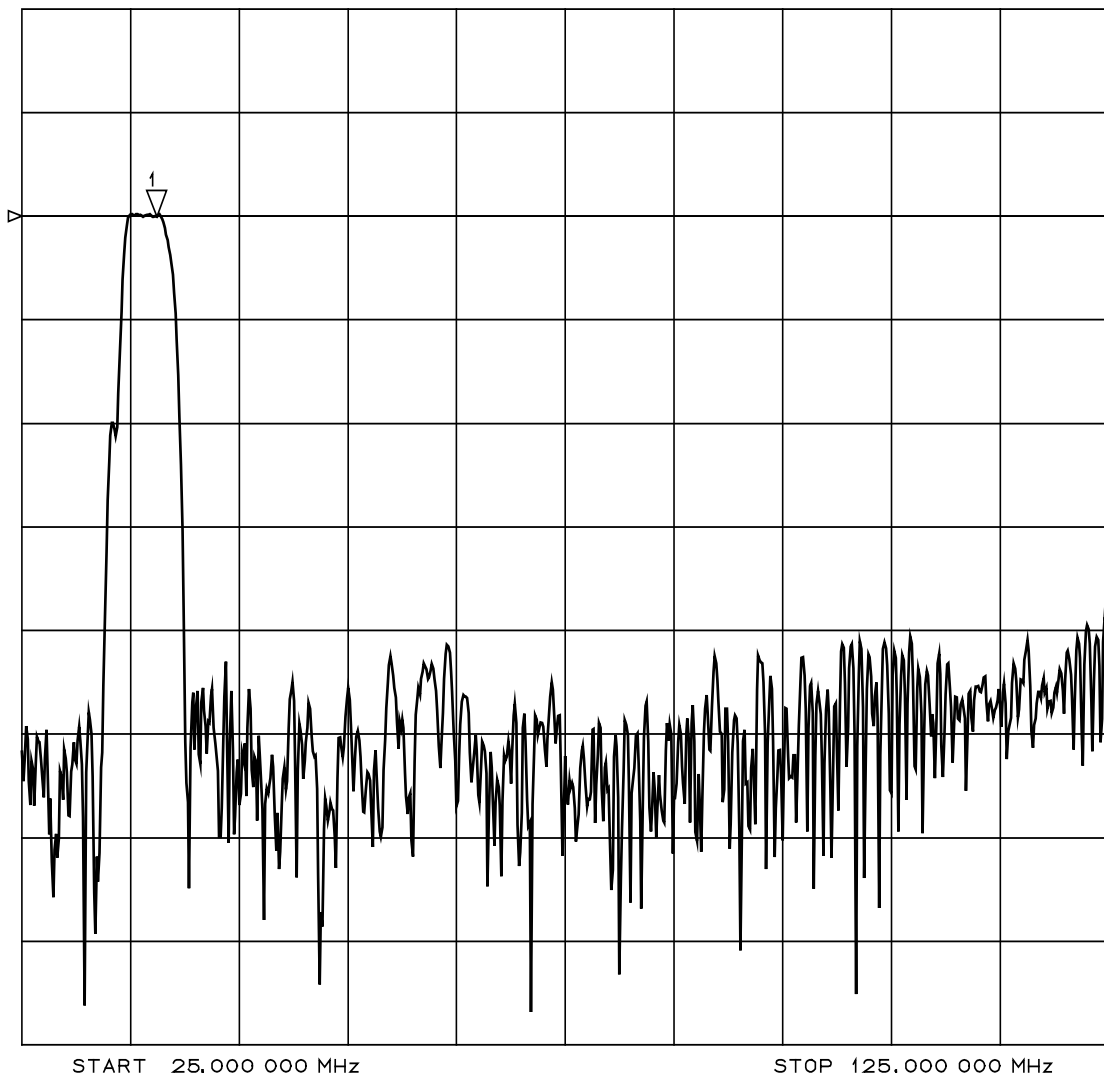
Marker1 : 38.90 MHz

Marker2 : 34.47 MHz

Marker3 : 36.90 MHz

Customer Name	Standard specification	FUJITSU MEDIA DEVICES LIMITED	
Application	IF Filter for TV (PIF)		
System	B/G		
Picture Carrier Frequency	38.90MHz	DATE	June 21, 2005
FMD Part Number	FAR-F4SA-38M900-A041	Version	2.1

Amplitude Response (10dB/div)
(25.0MHz ----- 125.0MHz)



Marker1 : 37.40 MHz

Customer Name	Standard specification	FUJITSU MEDIA DEVICES LIMITED	
Application	IF Filter for TV (PIF)		
System	B/G		
Picture Carrier Frequency	38.90MHz	DATE	June 21, 2005
FMD Part Number	FAR-F4SA-38M900-A041	Version	2.1

Time domain Response (10dB/div)

