

Customer Name	Standard specification	FUJITSU MEDIA DEVICES LIMITED	
Application	IF Filter for TV(SIF)		
System	B/G, D/K, I		
Picture Carrier Frequency	38.0 MHz	DATE	Aug. 26 2003
FMD Part Number	F337MPL	Version 1.3	

Table 1 Electrical Specification (Ta=25°C)

Items	Conditions	Specification			Unit	Remarks
		Min.	Typ.	Max.		
Insertion Loss	fp-6.5 (31.50 MHz)	10.1	11.6	13.1	dB	
Relative level	fp-8.0 (30.00 MHz)	-	-55	-40	dB	
	fp-6.55 (31.45 MHz)	- 1.0	0.0	1.0	dB	
	fp-6.5 (31.50 MHz)	-	0	-	dB	Reference
	fp-6.0 (32.00 MHz)	- 1.2	- 0.2	0.8	dB	
	fp-5.5 (32.50 MHz)	- 1.4	- 0.2	0.6	dB	
	fp-4.43 (33.57 MHz)	-	-35	-28	dB	
	fp (38.00 MHz)	-	-48	-40	dB	
	fp+1.5 (39.50 MHz)	-	-58	-45	dB	
	fp+2.0 (40.00 MHz)	-	-58	-45	dB	
	fp+2.5 (40.50 MHz)	-	-64	-45	dB	
	25.00 ~ 30.00 MHz	-	-48	-40	dB	
	38.00 ~ 45.00 MHz	-	-44	-39	dB	
	Input Capacitance	Cin (1.0 MHz)	-	11.1	-	pF
Output Capacitance	Cout (1.0 MHz)	-	3.6	-	pF	
Temperature coefficient		-	-72	-	ppm/°C	

Customer Name	Standard specification	FUJITSU MEDIA DEVICES LIMITED	
Application	IF Filter for TV(SIF)		
System	B/G, D/K, I		
Picture Carrier Frequency	38.0 MHz	DATE	Aug. 26 2003
FMD Part Number	F337MPL	Version 1.3	

● **Dimensions**

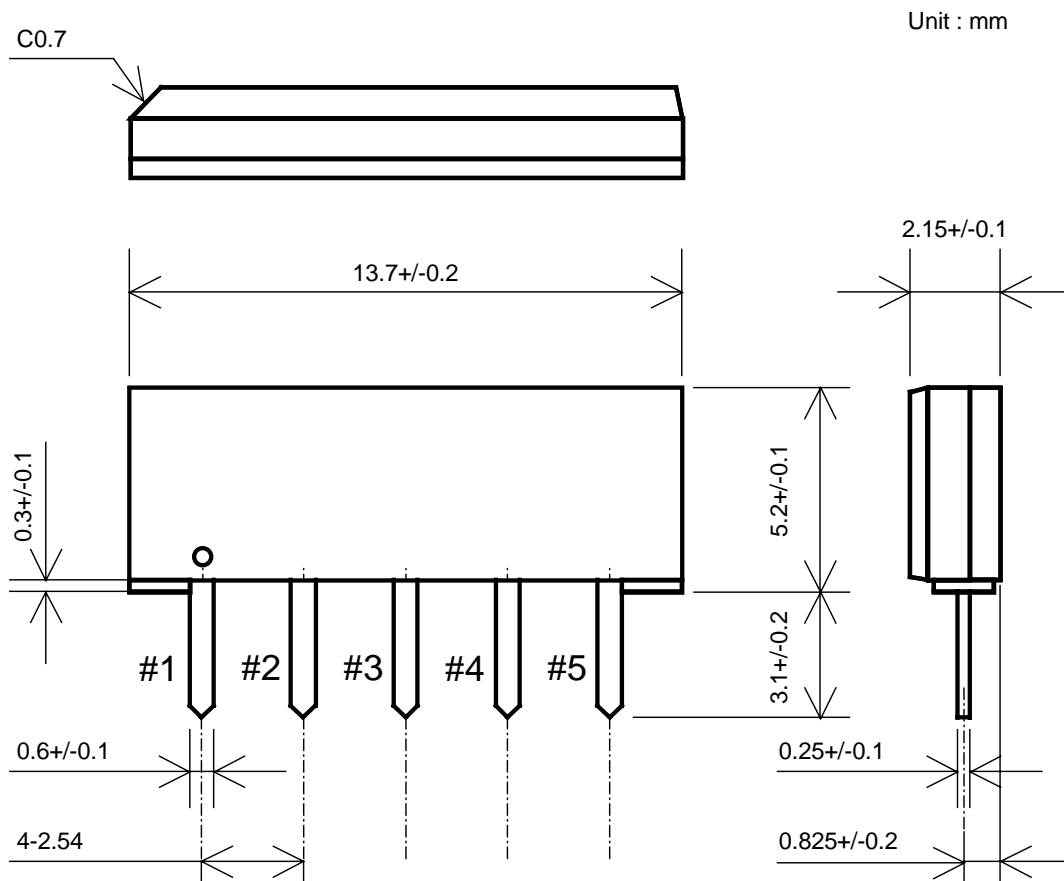


Fig.1

● **Pin Configuration**

Table 2

Pin No.	Symbol	Function
#1	IN	Input
#2	IN(GND)	Input(Ground)
#3	GND	Ground
#4	OUT	Output
#5	OUT	Output

Customer Name	Standard specification	FUJITSU MEDIA DEVICES LIMITED	
Application	IF Filter for TV(SIF)		
System	B/G, D/K, I		
Picture Carrier Frequency	38.0 MHz	DATE	Aug. 26 2003
FMD Part Number	F337MPL	Version 1.3	

● **Evaluation Circuit**

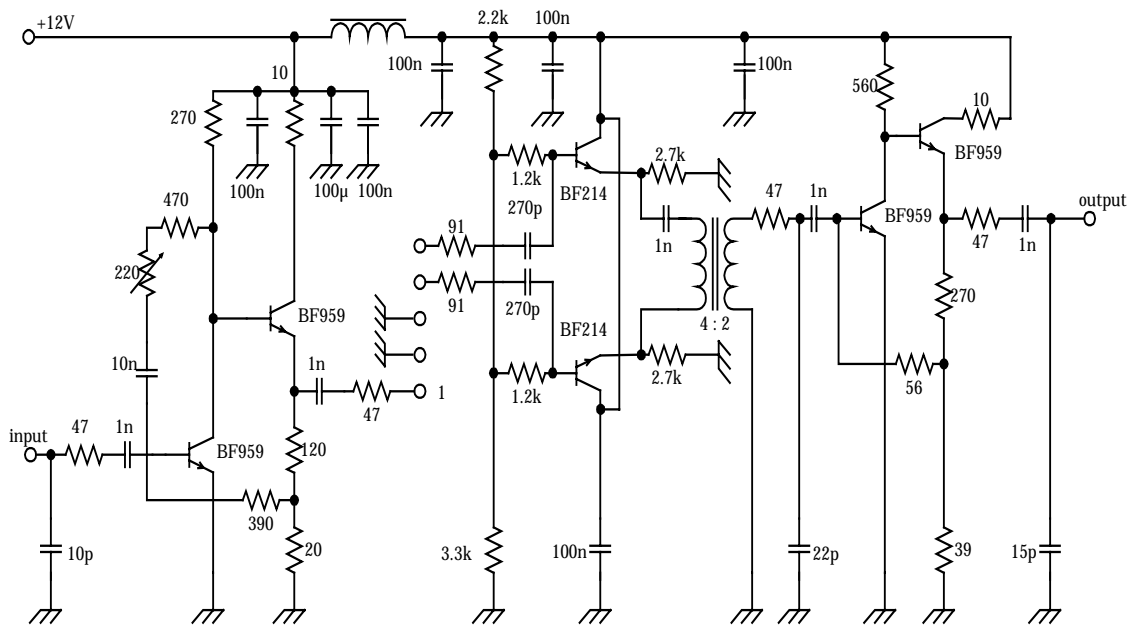


Fig.2 Evaluation circuit

● **Equivalent Circuit**

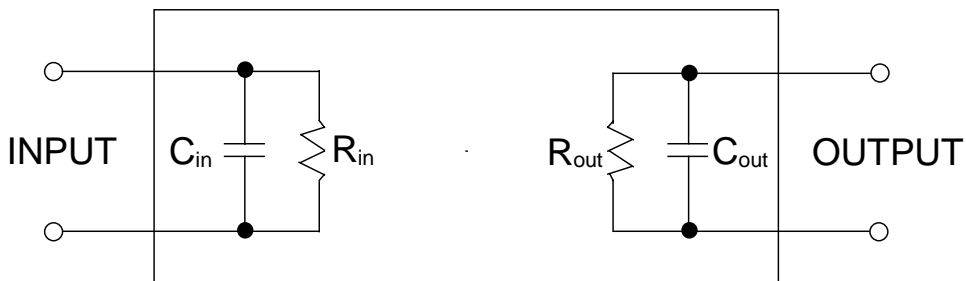
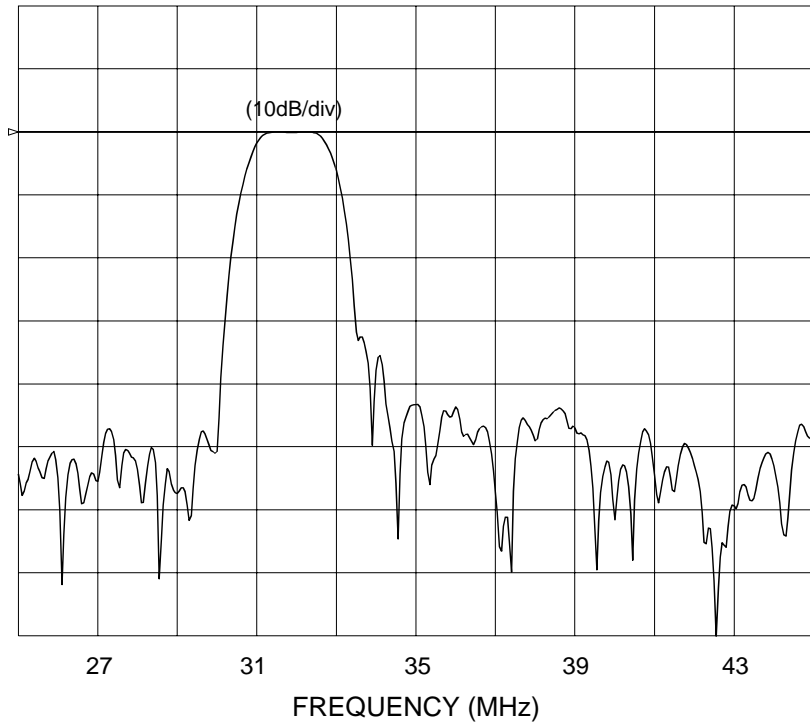
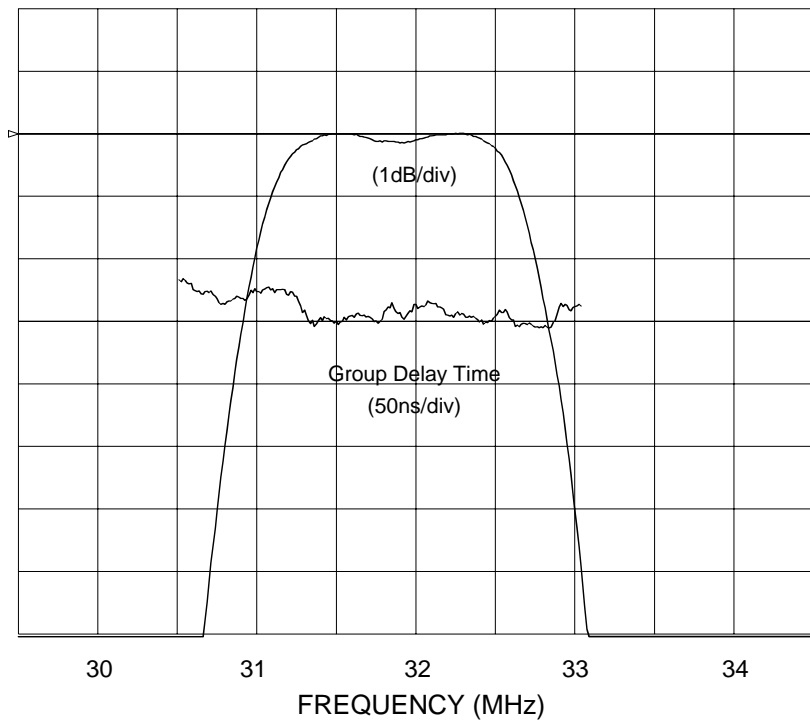


Fig.3 Equivalent circuit

Customer Name	Standard specification	FUJITSU MEDIA DEVICES LIMITED	
Application	IF Filter for TV(SIF)		
System	B/G, D/K, I		
Picture Carrier Frequency	38.0 MHz	DATE	Aug. 26 2003
FMD Part Number	F337MPL	Version 1.3	



Frequency Characteristics



In-band Characteristics