

Customer Name	Standard specification	FUJITSU MEDIA DEVICES LIMITED	
Application	IF Filter for TV(PIF)		
System	M/N		
Picture Carrier Frequency	58.75 MHz	DATE	Aug. 25 2003
FMD Part Number	F081EPL	Version 1.3	

Table 1 Electrical Specification (Ta=25°C)

Items	Conditions	Specification			Unit	Remarks
		Min.	Typ.	Max.		
Insertion Loss	fp (58.75 MHz)	27.9	29.4	30.9	dB	
Relative level	fp-6.0 (52.75 MHz)	-	-48	-40	dB	
	fp-4.5 (54.25 MHz)	-14.3	-12.8	-11.3	dB	
	fp-4.08 (54.67 MHz)	-6.9	-4.9	-2.9	dB	
	fp-3.58 (55.17 MHz)	-0.2	1.3	2.8	dB	
	fp-3.08 (55.67 MHz)	2.9	4.4	5.9	dB	
	fp-1.0 (57.75 MHz)	4.3	5.8	7.3	dB	
	fp (58.75 MHz)	-	0	-	dB	Reference
	fp+1.5 (60.25 MHz)	-	-44	-38	dB	
	40.00 ~ 52.75 MHz	-	-41	-35	dB	
	60.25 ~ 65.00 MHz	-	-38	-32	dB	
Group delay	fp-3.58 (55.17 MHz)	-200	-99	0	ns	
	fp-2.0 (56.75 MHz)	-100	-24	60	ns	
	fp-1.0 (57.75 MHz)	-70	-11	50	ns	
	fp (58.75 MHz)	-	0	-	ns	Reference
Group delay ripple	55.17 ~ 58.75 MHz	-	10	50	ns	
Input Capacitance	Cin (1.0 MHz)	-	18.3	-	pF	
Output Capacitance	Cout (1.0 MHz)	-	9.9	-	pF	
Temperature coefficient		-	-18	-	ppm/°C	

Customer Name	Standard specification	FUJITSU MEDIA DEVICES LIMITED	
Application	IF Filter for TV(PIF)		
System	M/N		
Picture Carrier Frequency	58.75 MHz	DATE	Aug. 25 2003
FMD Part Number	F081EPL	Version 1.3	

● **Dimensions**

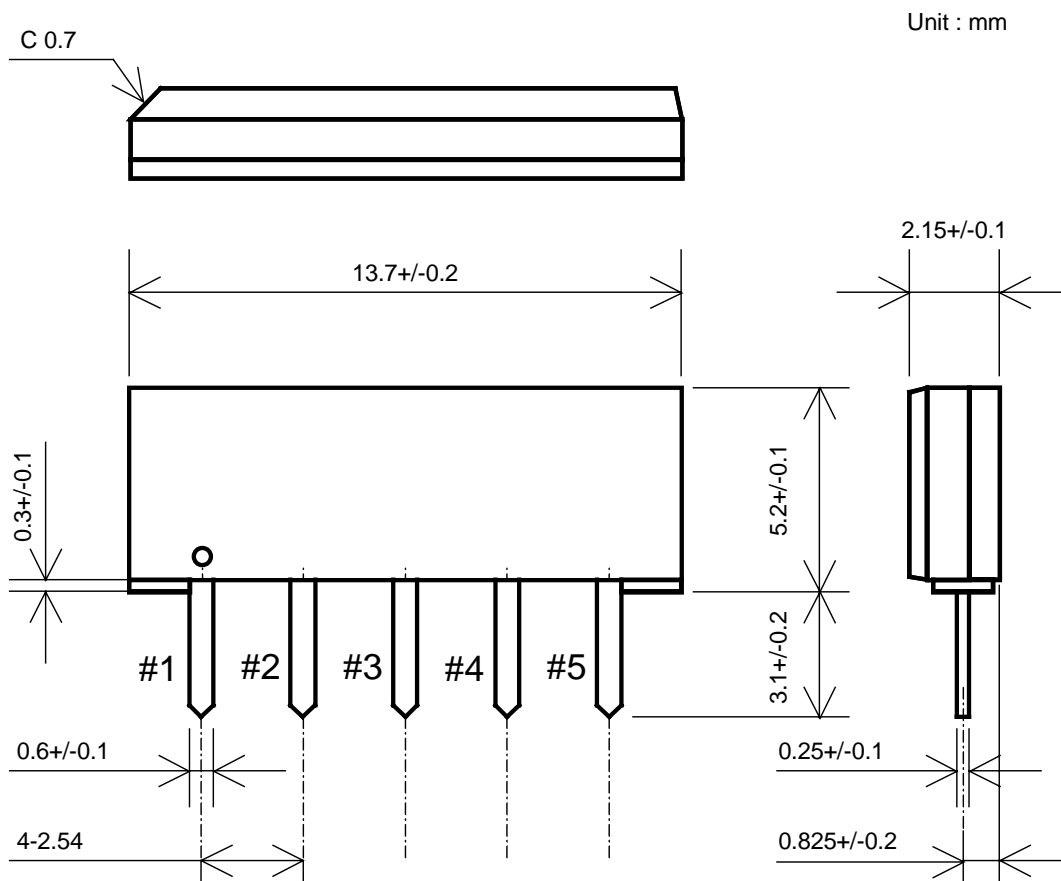


Fig.1

● **Pin Configuration**

Table 2

Pin No.	Symbol	Function
#1	IN	Input
#2	IN(GND)	Input(Ground)
#3	GND	Ground
#4	OUT	Output
#5	OUT	Output

Customer Name	Standard specification		FUJITSU MEDIA DEVICES LIMITED	
Application	IF Filter for TV(PIF)			
System	M/N			
Picture Carrier Frequency	58.75 MHz	DATE	Aug. 25 2003	
FMD Part Number	F081EPL	Version 1.3		

● **Evaluation Circuit**

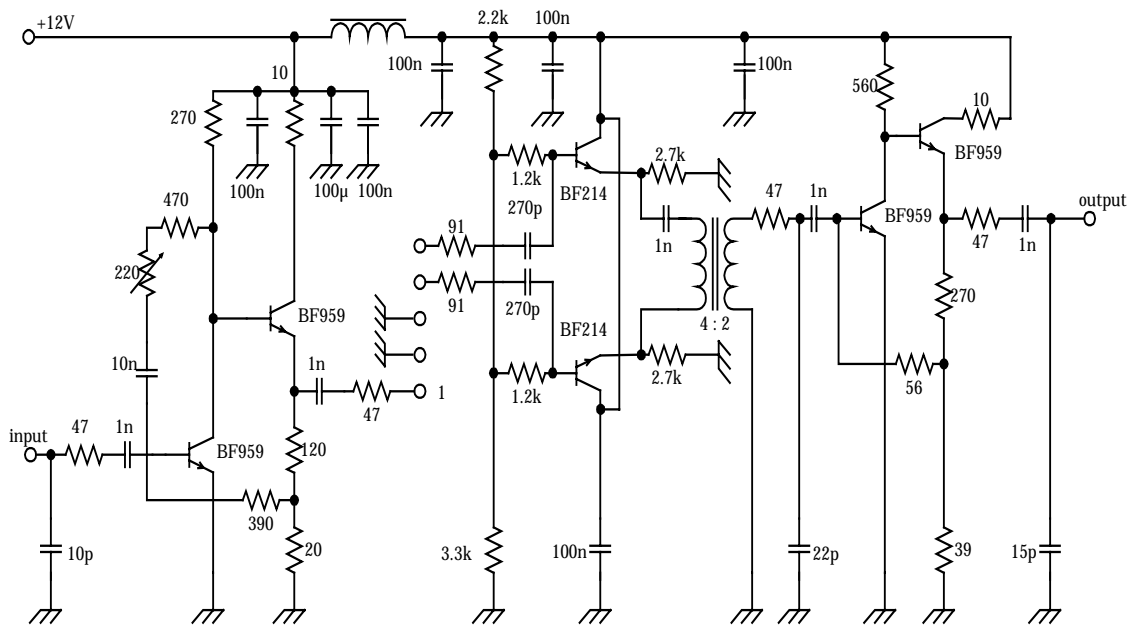


Fig.2 Evaluation circuit

● **Equivalent Circuit**

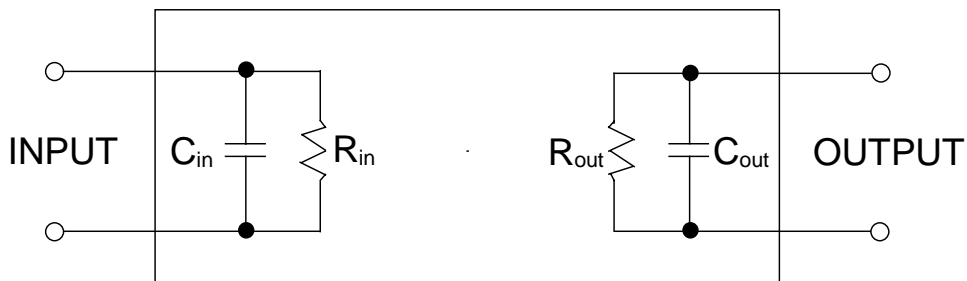
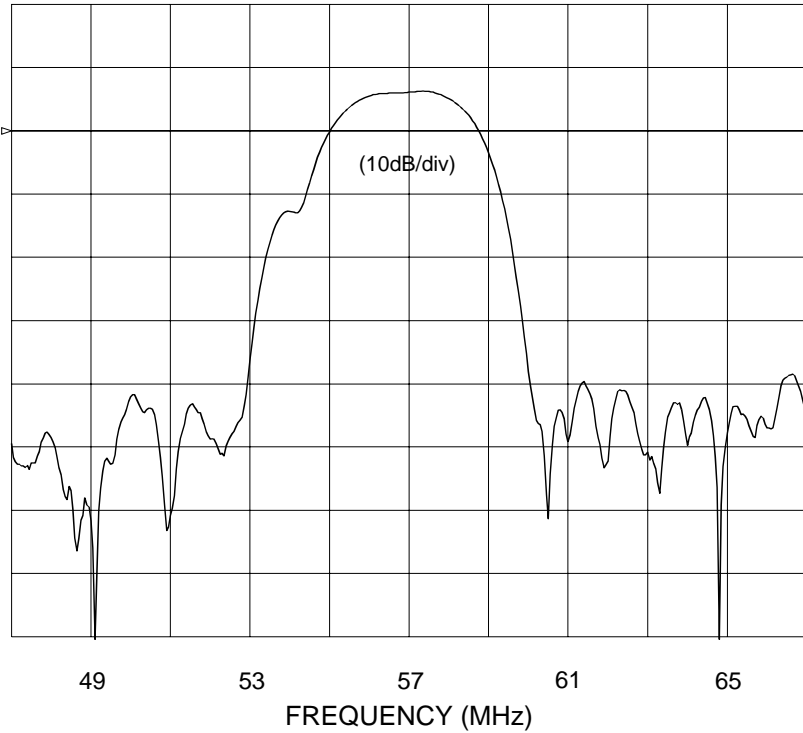
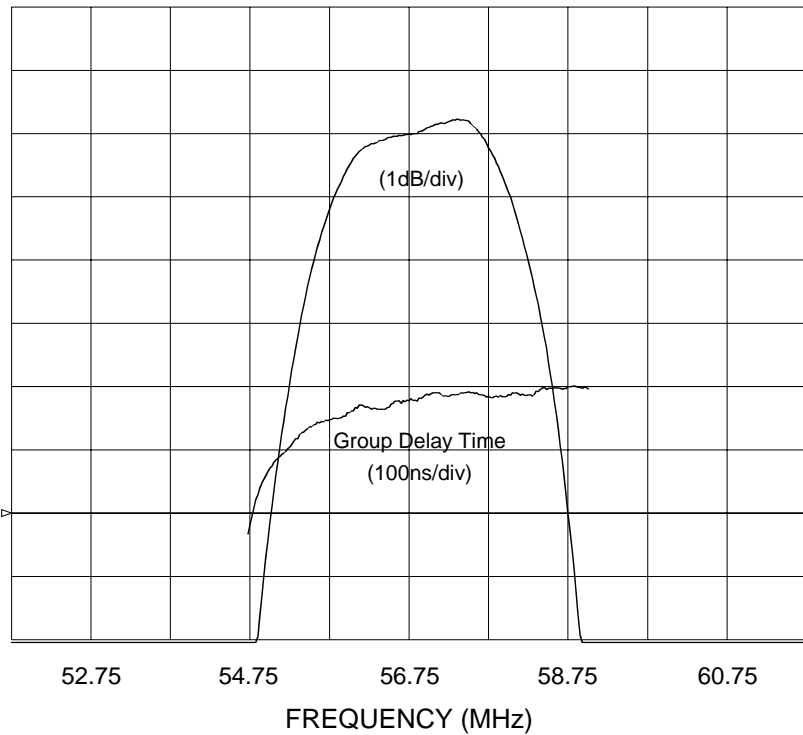


Fig.3 Equivalent circuit

Customer Name	Standard specification	FUJITSU MEDIA DEVICES LIMITED	
Application	IF Filter for TV(PIF)		
System	M/N		
Picture Carrier Frequency	58.75 MHz	DATE	Aug. 25 2003
FMD Part Number	F081EPL	Version 1.3	



Frequency Characteristics



In-band Characteristics