

Customer Name	Standard specification	FUJITSU MEDIA DEVICES LIMITED	
Application	IF Filter for TV(PIF)		
System	M/N		
Picture Carrier Frequency	45.75 MHz	DATE	Jun. 30 2003
FMD Part Number	F072TPL-A	Version 1.3	

Table 1 Electrical Specification (Ta=25°C)

Items	Conditions	Specification			Unit	Remarks
		Min.	Typ.	Max.		
Insertion Loss	fp-1.75 (44.06 MHz)	10.4	11.9	13.4	dB	
Relative level	fp-6.0 (39.81 MHz)	–	-60	-50	dB	
	fp-4.5 (41.31 MHz)	-20.0	-18.5	-17.0	dB	
	fp-3.58 (42.23 MHz)	- 2.6	- 1.6	- 0.6	dB	
	fp-1.75 (44.06 MHz)	–	0	–	dB	Reference
	fp (45.81 MHz)	- 7.1	- 6.1	- 5.1	dB	
	fp+1.5 (47.31 MHz)	–	-56	-48	dB	
	35.06 ~ 39.81 MHz	–	-47	-41	dB	
	47.31 ~ 55.06 MHz	–	-47	-42	dB	
	Amplitude ripple	42.23 ~ 45.81 MHz	–	0.1	0.6	dB
Group delay ripple	42.23 ~ 45.81 MHz	–	25	50	ns	
Input Capacitance	Cin (1.0 MHz)	–	12.2	–	pF	
Output Capacitance	Cout (1.0 MHz)	–	4.5	–	pF	
Temperature coefficient		–	-72	–	ppm/°C	

Customer Name	Standard specification		
Application	IF Filter for TV(PIF)	FUJITSU MEDIA DEVICES LIMITED	
System	M/N		
Picture Carrier Frequency	45.75 MHz	DATE	Jun. 30 2003
FMD Part Number	F072TPL-A	Version 1.3	

● **Evaluation Circuit**

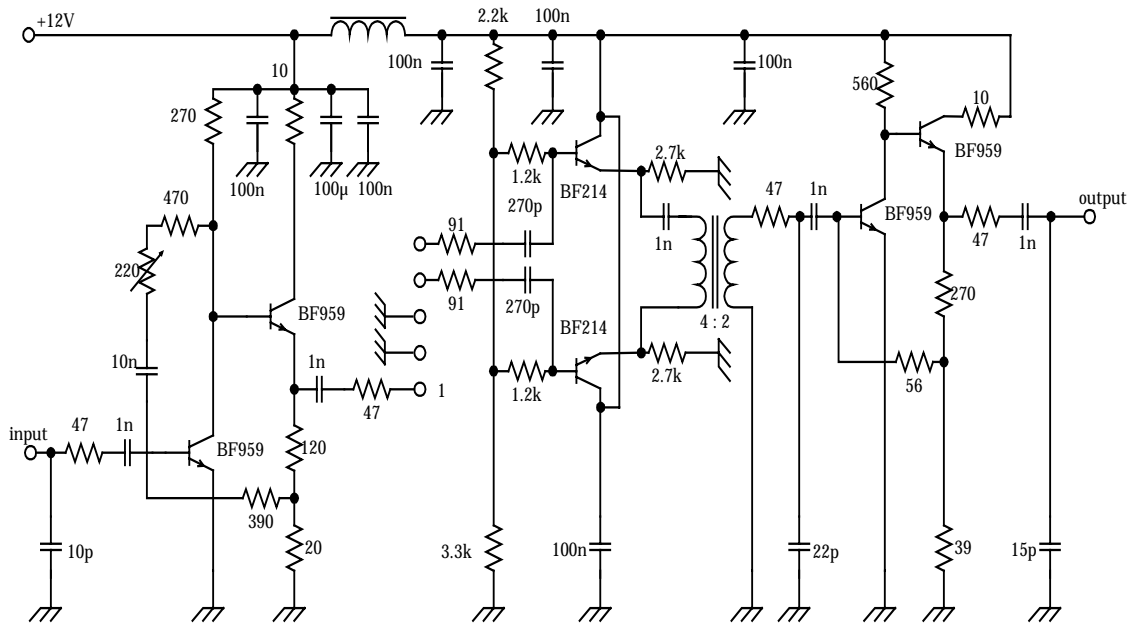


Fig.2 Evaluation circuit

● **Equivalent Circuit**

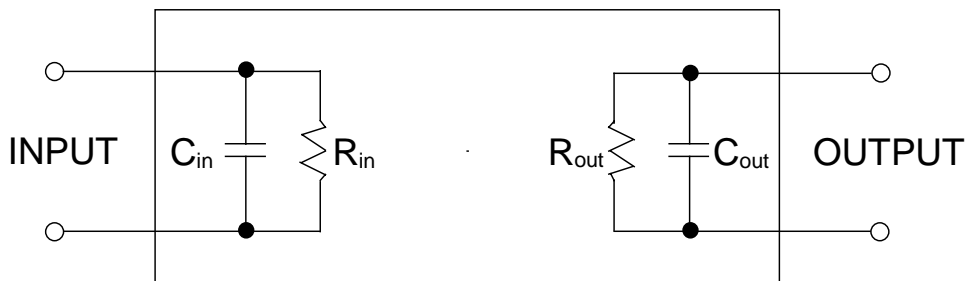
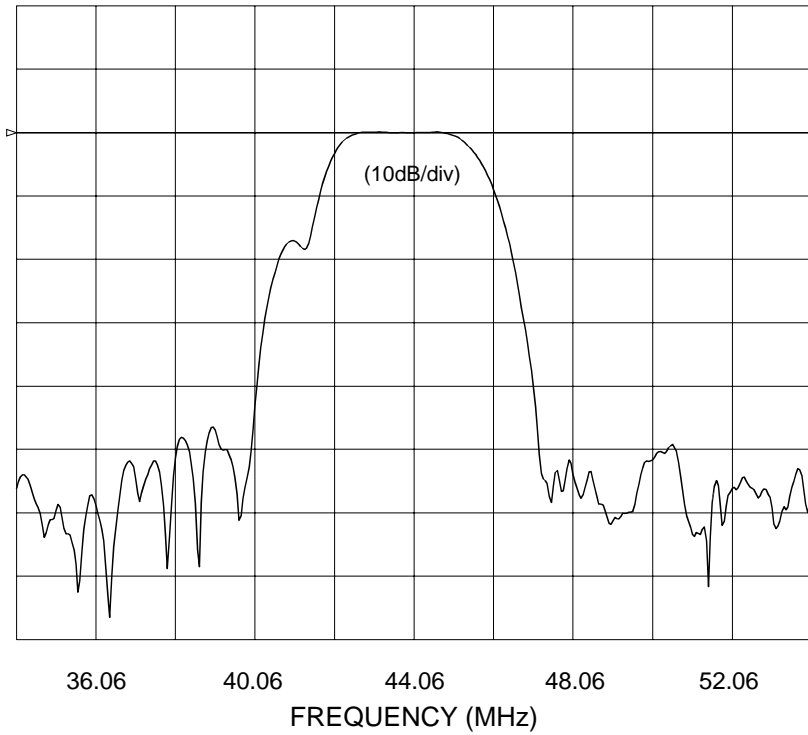
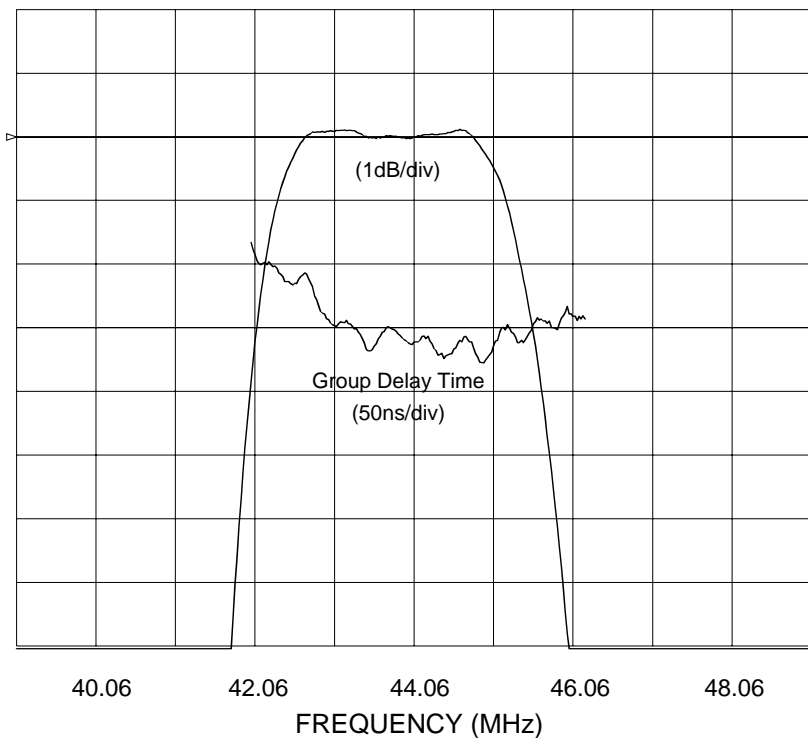


Fig.3 Equivalent circuit

Customer Name	Standard specification	FUJITSU MEDIA DEVICES LIMITED	
Application	IF Filter for TV(PIF)		
System	M/N		
Picture Carrier Frequency	45.75 MHz	DATE	Jun. 30 2003
FMD Part Number	F072TPL-A	Version 1.3	



Frequency Characteristics



In-band Characteristics