

VCO

Voltage Controlled Oscillator

V082x Series

➤ Features

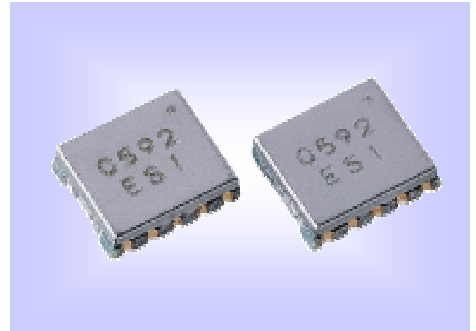
- Dual VCO with wide variable range

➤ Applications

- For GSM Triple band , Quad band

➤ Specifications

- P/N:V0824AZ0869/1810



Item		Unit	Low band	High band
Current Consumption	Vcc=2.85 V	mA	15.0 MAX	18.0 MAX
OSC Frequency	Vt=0.5 V	MHz	824 MAX	1710 MAX
	Vt=2.3 V	MHz	915 MIN	1910 MIN
Tuning Volt. Sensitivity		MHz/V	51 to 71	111 to 151
Output Power	Vcc=2.85 V	dBm	2.0 to 9.0	2.0 to 9.0
Phase Noise	Offset=400kHz	dBc/Hz	-128 MAX	-124 MAX
Harmonics	Up to 3rd	dBc	-20 MAX	-23 MAX
Pushing	Vcc=+/-0.15V	kHz	+/-1000 MAX	+/-1500 MAX
Pulling	VSWR=2 All phase	kHz	+/-2000 MAX	+/-4000 MAX

Band Switching Logic

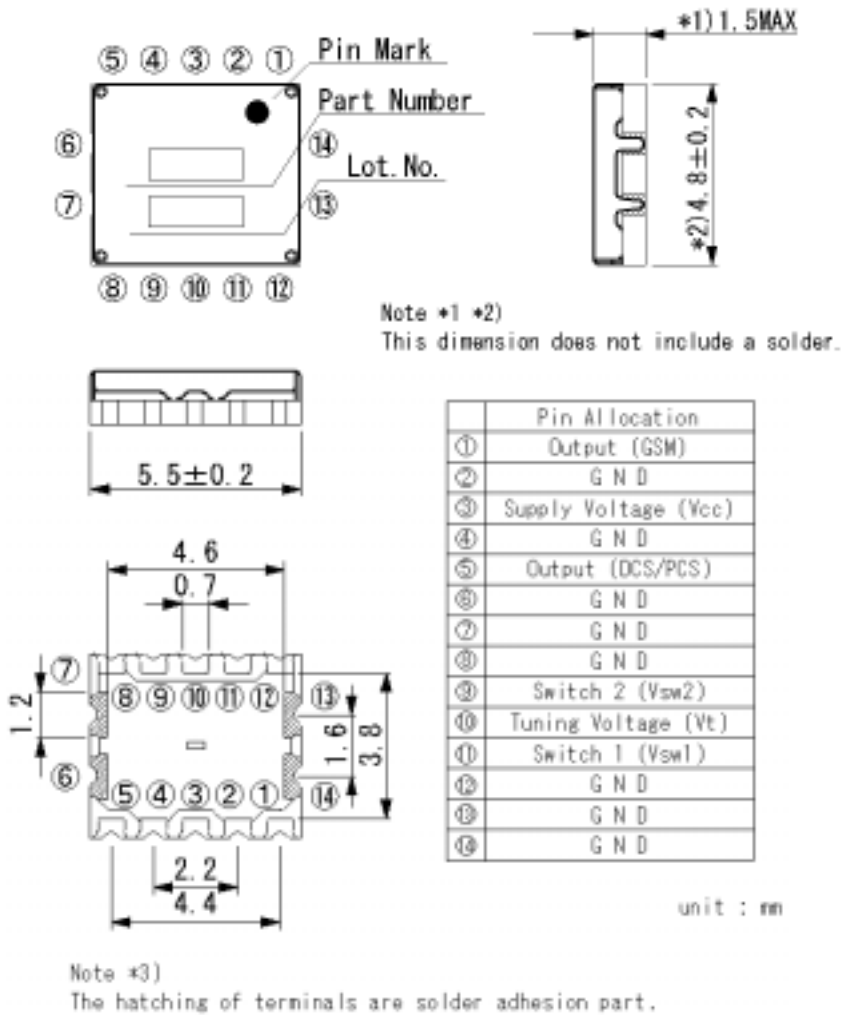
No.	Item	Vsw 1	Vsw 2
1	Low Band (0.8GHz)	Low	High
2	High Band (1.8GHz)	High	Low
3	No Oscillation	High	High

Switching Voltage Logic

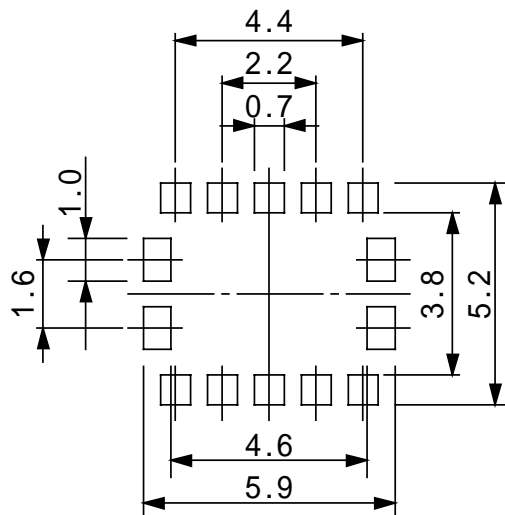
No.	Switching Logic	Min	Max	Unit
1	Low	0	+0.45	V
2	High	+2.55	+3.2	V

Voltage Controlled Oscillator (VCO)

External Dimensions



Recommended PCB Land Pattern

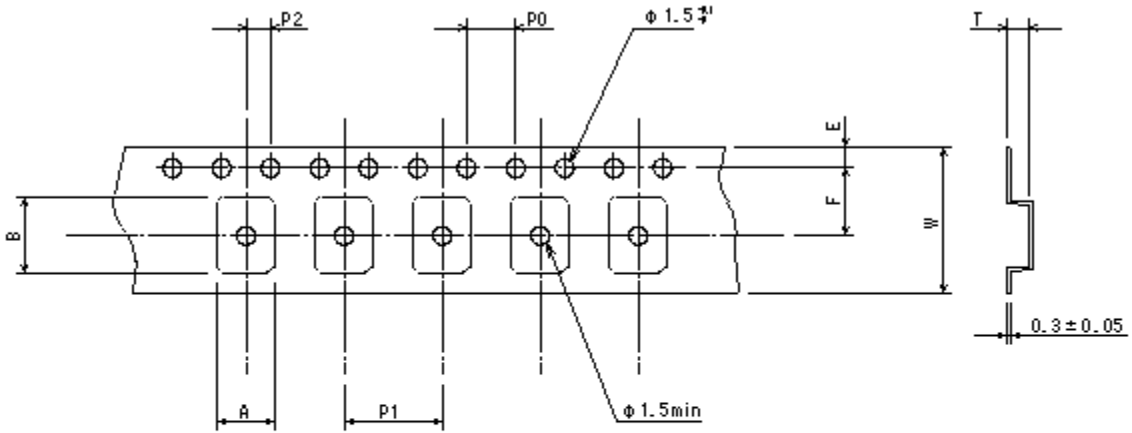


Unit:: mm

Voltage Controlled Oscillator (VCO)

➤Tape Packing (Packing unit: 3,000pcs/reel)

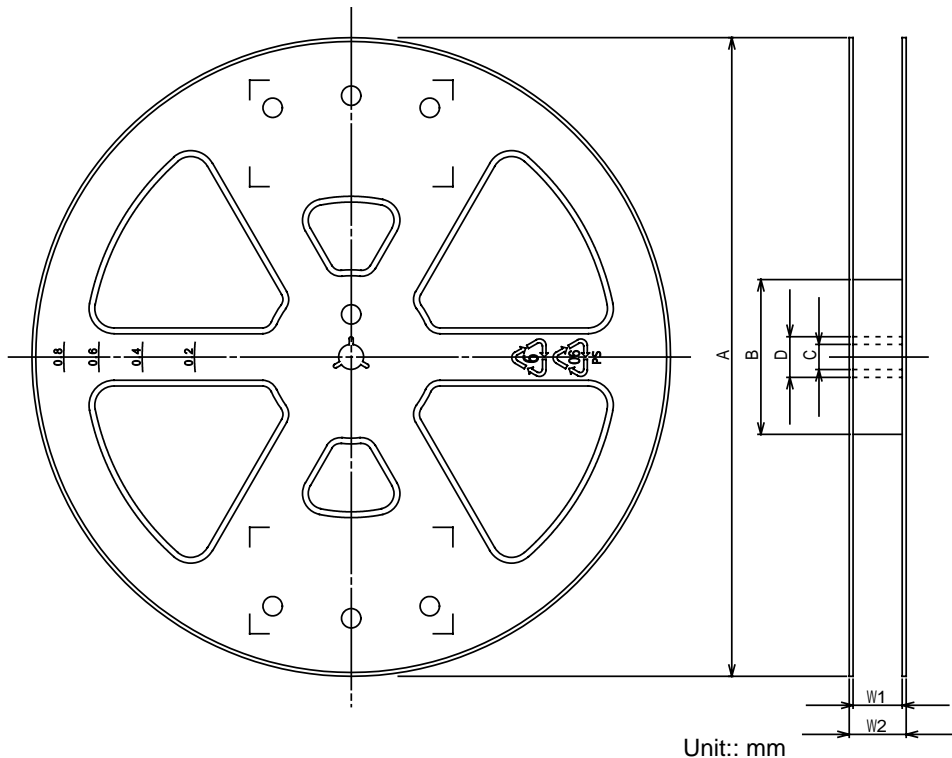
-Carrier Tape Configuration and Dimension



(unit : mm)

	A	B	W	F	E	P0	P1	P2	T
Dimensions	5.3	6.0	12.0	5.5	1.75	4.0	8.0	2.0	2.3
Tolerance	+/- 0.1	+/- 0.1	+/- 0.2	+/- 0.1	+/- 0.1	+/- 0.1	+/- 0.1	+/- 0.1	+/- 0.1

- Reel Configuration and Dimension



Unit:: mm

	A	B	C	D	W1	W2
Dimensions	330.0	80.0	13.0	21.0	13.4	17.4
Tolerance	+/-2.0	+/-1.0	+/-0.2	+/-0.8	+/-1.0	+/-1.0

Voltage Controlled Oscillator (VCO)

➤Attention in use

The above products are designed, developed and manufactured as contemplated for general use, including without limitation, ordinary industrial use, general office use, personal use, and household use. But are not designed, developed and manufactured as contemplated (1) for use accompanying fatal risks or dangers that, unless extremely high safety is secured, could have a serious effect to the public, and could lead directly to death, personal injury, severe physical damage or other loss (i.e., nuclear reaction control in nuclear facility, aircraft flight control, air traffic control, mass transport control, medical life support system, missile launch control in weapon system), or (2) for use requiring extremely high reliability (i.e., submersible repeater and artificial satellite). You shall not use the above products for the above-mentioned uses. If your equipment is likely to be used for the above-mentioned uses, please consult with our sales representative before use. Fujitsu shall not be liable against you and/or any third party for any claims or damages arising in connection with the above-mentioned uses of the above products.

FUJITSU MEDIA DEVICES LIMITED

<http://jp.fujitsu.com/fmd/en/>

Japan Global Sales

Shin-Yokohama Square Bldg.,
Shin-yokohama 2-3-12, Kohoku-ku, Yokohama,
Kanagawa 222-0033, Japan
Tel: +81-45-471-0061 Fax: +81-45-471-0076

North and South America

FUJITSU MEDIA DEVICES OF AMERICA, INC.
1250 East Arques Avenue, M/S 136
Sunnyvale, CA 94085-3470, U.S.A.
Tel: +1-408-746-7500
Fax: +1-408-746-7555
<http://www.fmda.fujitsu.com>

Europe

FUJITSU MICROELECTRONICS EUROPE GmbH
Pittlerstrasse 47, 63225 Langen,
Germany
Tel: +49-6103-690-0
Fax: +49-6103-690-122
<http://www.fme.fujitsu.com/>

Asia Pacific

FUJITSU MEDIA DEVICES HONG KONG Ltd.
Suite 2012, Tower 1 The Gateway,
25 Canton Road,
Tsim Sha Tsui, Kowloon, Hong Kong
Tel: +852-2866-8509
Fax: +852-2866-8287

FUJITSU MEDIA DEVICES HONG KONG LTD.

(Taiwan representative office)
19F, No.39, Section 1, Chung hwa Road, Taipei
Taiwan R.O.C.
Tel: +886-2-2311-2255
Fax: +886-2-2371-8347

FUJITSU MEDIA DEVICES TRADING(SHANGHA) Ltd.
Room 3104,
Bund Center 222 Yan An Road East,
Shanghai 200002 China
Tel: +86-21-6323-4560
Fax: +86-21-6323-4510

The contents of this document are subject to change without notice.

Customers are advised to consult with FUJITSU MEDIA DEVICES sales representatives before ordering.

The information and circuit diagrams in this document are presented as examples of device applications, and are not intended to be incorporated in devices for actual use. Also, FUJITSU MEDIA DEVICES is unable to assume responsibility for infringement of any patent rights or other rights of third parties arising from the use of this information or circuit diagrams.

The products described in this document are designed, and manufactured as contemplated for general use, including without limitation, ordinary industrial use, general office use, personal use, and household use, but are not designed, developed and manufactured as contemplated (1) for use accompanying fatal risks or dangers that, unless extremely high safety is secured, could have a serious effect to the public, and could lead directly to death, personal injury, severe physical damage or other loss (i.e., nuclear reaction control in nuclear facility, aircraft flight control, air traffic control, mass transport control, medical life support system, missile launch control in weapon system), or (2) for use requiring extremely high reliability (i.e., submersible repeater and artificial satellite).

Please note that Fujitsu will not be liable against you and/or any third party for any claims or damages arising in connection with above-mentioned uses of the products.

Any electronic devices have inherently certain rate of failure. You must protect against injury, damage or loss from such failures by incorporating safety design measures into your facility and equipment such as redundancy, fire protection, and prevention of over-current levels and other abnormal operating conditions.

If any products described in this document represent goods or technologies subject to certain restrictions on export under the Foreign Exchange and Foreign Trade Control Law of Japan, the prior authorization by Japanese government should be required for export of those products from Japan.